

COOLING ELEMENTS ELEMENTY CHŁODZENIA



EURO System



Interchangeability - Kompatibilität

HASCO, DYROS, EOC, PARADISI
(EURO CONNECTOR)

Temperature Range-Temperaturbereich

-20°C +100°C (-40°F +250°F) Nitrile- NBR
-20°C +200°C (-40°F +390°F) Viton- V

Working Pressure - Betriebsdruck

0 - 10 bar (0 - 145 PSI) 059
0 - 10 bar (0 - 145 PSI) 060
0 - 15 bar (0 - 220 PSI) 090
0 - 20 bar (0 - 290 PSI) 190

Flow capacity - Größen

NW - 6 (060)
NW - 9 (090)
NW - 13 (190)

Standard version - Standardversion

Brass Messing
Viton Seal - Viton Dichtung

Options - Optionen

K - Verchromt - Chrome plated
N - Vernickelt - Nickel plated
S - Stehlen - Steel

Fügen Sie den gewünschten

**Optionsbuchstaben für Nicht-Standardaufträge
an das Ende des Bestellcodes hinzu.
For optional orders please add the symbol
of your option end of the order number
(090 EG 14 K-N)**

Material - Material

Coupler Body-
Kupplungsgrundkörper : Brass - Messing
Sleeve - Hülse : Brass - Messing
Valve - Ventil : Brass - Messing
Springs - Federn : Stainless Steel -
Edelstahl

Locking O-Ring-
Sprengring : Stainless Steel -
Edelstahl

Balls - Kugeln : Stainless Steel -
Edelstahl

Seals - Dichtungen : Viton (V)
Plug - Nippel : Brass - Messing

Using Area :

- On cooling system of plastic zamak,
brass and aluminium injection molds
- On cleaning and washing systems of machines
- On hot oil lines connection
- All industries
- On steam line

Nutzungsbereich:

- an Kühlsystemen für Kunststoff-,
Zinkdruckguss-, Messing- und Aluminium-
Kokillenformen
- Reinigungs und Waschsystemen von Maschinen
- Heissöleleitungsanschlüssen
- Alle Industriezweige
- Dampfleitungen



With Valve - Mit Ventil
Order No - Bestell Nr.

Without Valve - Ohne Ventil
Order No - Bestell Nr.

NW d1 d2 d3 d4 L L1

| | | | | | | | | |
|----------------------|---------------------|----|-----------|-----|----|----|----|----|
| CSK T060 - 06 | SK T060 - 06 | 6 | 6 - 1/4" | 4.5 | 17 | 9 | 46 | 17 |
| CSK T060 - 08 | SK T060 - 08 | 6 | 8 - 5/16" | 6 | 17 | 9 | 46 | 17 |
| CSK T060 - 09 | SK T060 - 09 | 6 | 9 - 5/14" | 6 | 17 | 9 | 46 | 17 |
| CSK T060 - 10 | SK T060 - 10 | 6 | 10 - 3/8" | 6 | 17 | 9 | 46 | 17 |
| CSK T060 - 13 | SK T060 - 13 | 6 | 13 - 1/2" | 6 | 17 | 9 | 52 | 23 |
| CSK T090 - 10 | SK T090 - 10 | 9 | 10 - 3/8" | 8 | 23 | 13 | 60 | 23 |
| CSK T090 - 13 | SK T090 - 13 | 9 | 13 - 1/2" | 10 | 23 | 13 | 60 | 23 |
| CSK T190 - 19 | SK T190 - 19 | 13 | 19 - 3/4" | 13 | 31 | 19 | 90 | 32 |
| CSK T190 - 25 | SK T190 - 25 | 13 | 19 - 1" | 20 | 31 | 19 | 90 | 32 |

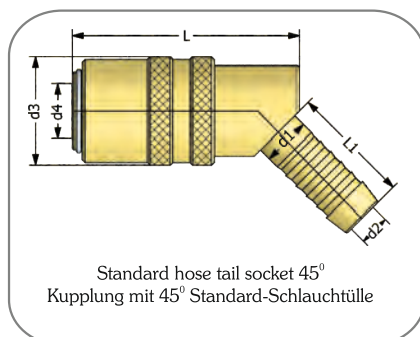
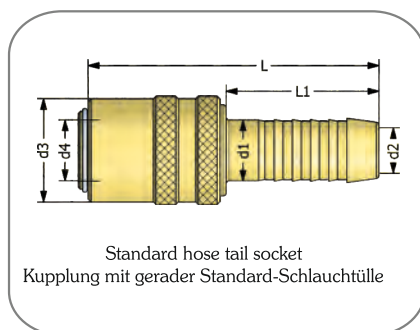


With Valve - Mit Ventil
Order No - Bestell Nr.

Without Valve - Ohne Ventil
Order No - Bestell Nr.

NW d1 d2 d3 d4 L L1

| | | | | | | | | |
|----------------------------|---------------------------|----|-----------|-----|----|----|----|----|
| CSK T060 - 06 - 45° | SK T060 - 06 - 45° | 6 | 6 - 1/4" | 4.5 | 17 | 9 | 41 | 17 |
| CSK T060 - 08 - 45° | SK T060 - 08 - 45° | 6 | 8 - 5/16" | 6 | 17 | 9 | 41 | 17 |
| CSK T060 - 09 - 45° | SK T060 - 09 - 45° | 6 | 9 - 5/14" | 6 | 17 | 9 | 41 | 17 |
| CSK T060 - 10 - 45° | SK T060 - 10 - 45° | 6 | 10 - 3/8" | 6 | 17 | 9 | 41 | 17 |
| CSK T060 - 13 - 90° | SK T060 - 13 - 90° | 6 | 13 - 1/2" | 9 | 17 | 9 | 41 | 17 |
| CSK T090 - 10 - 45° | SK T090 - 10 - 45° | 9 | 10 - 3/8" | 8 | 23 | 13 | 51 | 23 |
| CSK T090 - 13 - 45° | SK T090 - 13 - 45° | 9 | 13 - 1/2" | 9 | 23 | 13 | 51 | 23 |
| CSK T190 - 19 - 45° | SK T190 - 19 - 45° | 13 | 19 - 3/4" | 13 | 31 | 19 | 78 | 32 |
| CSK T190 - 25 - 45° | SK T190 - 25 - 45° | 13 | 19 - 1" | 20 | 31 | 19 | 90 | 32 |



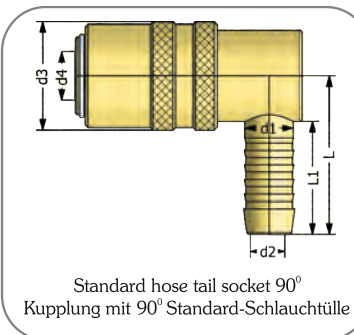
EURO System



With Valve - Mit Ventil
Order No - Bestell Nr.

Without Valve - Ohne Ventil
Order No - Bestell Nr.

NW d1 d2 d3 d4 L L1



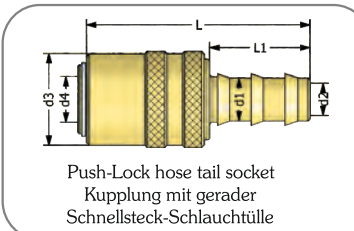
| | | | | | | | | |
|----------------------------|---------------------------|----|-----------|-----|----|----|----|----|
| CSK T060 - 06 - 90° | SKT 060 - 06 - 90° | 6 | 6 - 1/4" | 4.5 | 17 | 9 | 41 | 17 |
| CSK T060 - 08 - 90° | SK T060 - 08 - 90° | 6 | 8 - 5/16" | 6 | 17 | 9 | 41 | 17 |
| CSK T060 - 09 - 90° | SKT 060 - 09 - 90° | 6 | 9 - 5/14" | 6 | 17 | 9 | 41 | 17 |
| CSK T060 - 10 - 90° | SKT 060 - 10 - 90° | 6 | 10 - 3/8" | 6 | 17 | 9 | 41 | 17 |
| CSK T060 - 13 - 90° | SKT 060 - 13 - 90° | 6 | 13 - 1/2" | 9 | 17 | 13 | 41 | 17 |
| CSK T090 - 10 - 90° | SKT 090 - 10 - 90° | 9 | 10 - 3/8" | 8 | 23 | 13 | 51 | 23 |
| CSK T090 - 13 - 90° | SKT 090 - 13 - 90° | 9 | 13 - 1/2" | 9 | 23 | 13 | 51 | 23 |
| CSK T190 - 19 - 90° | SKT 190 - 19 - 90° | 13 | 19 - 3/4" | 13 | 31 | 19 | 78 | 32 |
| CSK T190 - 25 - 90° | SKT 190 - 25 - 90° | 13 | 25 - 1" | 20 | 31 | 19 | 78 | 32 |



With Valve - Mit Ventil
Order No - Bestell Nr.

Without Valve - Ohne Ventil
Order No - Bestell Nr.

NW d1 d2 d3 d4 L L1



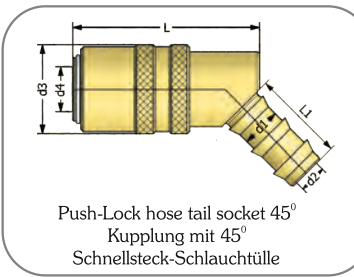
| | | | | | | | | |
|------------------------|----------------------|----|-----------|----|----|----|----|----|
| CSK T060 - FG06 | SKT060 - FG06 | 6 | 6 - 1/4" | 5 | 17 | 9 | 52 | 24 |
| CSK T060 - FG10 | SKT060 - FG10 | 6 | 10 - 3/8" | 7 | 17 | 9 | 52 | 24 |
| CSK T060 - FG13 | SKT060 - FG13 | 6 | 13 - 1/2" | 13 | 17 | 9 | 52 | 24 |
| CSK T090 - FG10 | SKT090 - FG10 | 9 | 10 - 3/8" | 8 | 23 | 13 | 64 | 28 |
| CSK T090 - FG13 | SKT090 - FG13 | 9 | 13 - 1/2" | 10 | 23 | 13 | 64 | 28 |
| CSK T190 - FG19 | SKT190 - FG19 | 13 | 19 - 3/4" | 13 | 31 | 19 | 96 | 38 |
| CSK T190 - FG25 | SKT190 - FG25 | 13 | 25 - 1" | 20 | 31 | 19 | 98 | 38 |



With Valve - Mit Ventil
Order No - Bestell Nr.

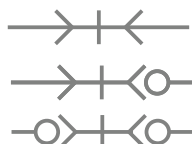
Without Valve - Ohne Ventil
Order No - Bestell Nr.

NW d1 d2 d3 d4 L L1

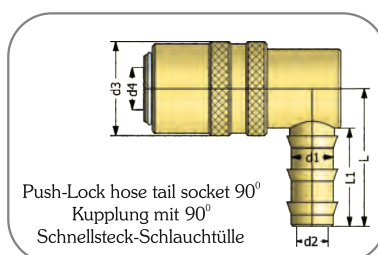


| | | | | | | | | |
|------------------------------|----------------------------|----|-----------|----|----|----|----|----|
| CSK T060 - FG06 - 45° | SKT060 - FG06 - 45° | 6 | 6 - 1/4" | 5 | 17 | 9 | 48 | 24 |
| CSK T060 - FG10 - 45° | SKT060 - FG10 - 45° | 6 | 10 - 3/8" | 7 | 17 | 9 | 48 | 24 |
| CSK T060 - FG13 - 45° | SKT060 - FG13 - 45° | 6 | 13 - 1/2" | 10 | 17 | 9 | 48 | 24 |
| CSK T090 - FG10 - 45° | SKT090 - FG10 - 45° | 9 | 10 - 3/8" | 8 | 23 | 13 | 55 | 28 |
| CSK T090 - FG13 - 45° | SKT090 - FG13 - 45° | 9 | 13 - 1/2" | 10 | 23 | 13 | 55 | 28 |
| CSK T190 - FG19 - 45° | SKT190 - FG19 - 45° | 13 | 19 - 3/4" | 13 | 31 | 19 | 84 | 38 |

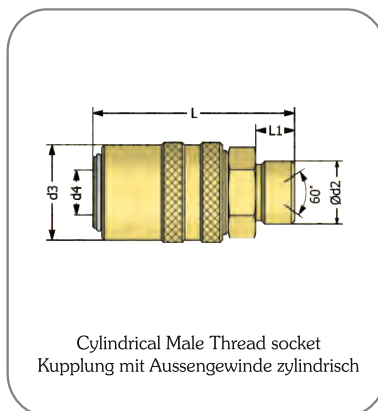
EURO System



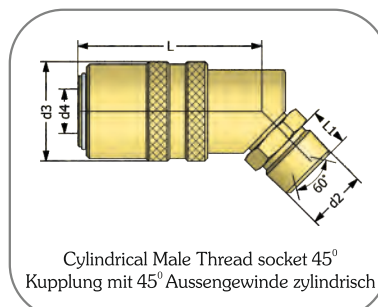
| With Valve - Mit Ventil Order No - Bestell Nr. | Without Valve - Ohne Ventil Order No - Bestell Nr. | NW | d1 | d2 | d3 | d4 | L | L1 |
|---|---|----|-----------|----|----|----|----|----|
| CSKT060 - FG06 - 90° | SKT060 - FG06 - 90° | 6 | 6 - 1/4" | 5 | 17 | 9 | 48 | 24 |
| CSKT060 - FG10 - 90° | SKT060 - FG10 - 90° | 6 | 10 - 3/8" | 7 | 17 | 9 | 47 | 24 |
| CSKT060 - FG13 - 90° | SKT060 - FG13 - 90° | 6 | 13 - 1/1" | 10 | 17 | 13 | 47 | 24 |
| CSKT090 - FG10 - 90° | SKT090 - FG10 - 90° | 9 | 10 - 3/8" | 8 | 23 | 13 | 55 | 28 |
| CSKT090 - FG13 - 90° | SKT090 - FG13 - 90° | 9 | 13 - 1/2" | 10 | 23 | 13 | 55 | 28 |
| CSKT190 - FG19 - 90° | SKT190 - FG19 - 90° | 13 | 19 - 3/4" | 13 | 31 | 19 | 84 | 38 |
| CSKT190 - FG25 - 90° | SKT190 - FG25 - 90° | 13 | 25 - 1" | 20 | 31 | 19 | 86 | 38 |



| With Valve - Mit Ventil Order No - Bestell Nr. | Without Valve - Ohne Ventil Order No - Bestell Nr. | NW | d2 | d3 | d4 | L | L1 | SW |
|---|---|----|---------|----|----|----|----|----|
| CSK T060 - EG10 | SK T060 - EG10 | 6 | M10x1 | 17 | 9 | 48 | 9 | 17 |
| CSK T060 - EG13 | SK T060 - EG13 | 6 | G 1/4" | 17 | 9 | 48 | 9 | 17 |
| CSK T060 - EG14 | SK T060 - EG14 | 6 | M14x1.5 | 17 | 9 | 48 | 9 | 17 |
| CSK T060 - EG17 | SK T060 - EG17 | 6 | G 3/8" | 17 | 9 | 48 | 9 | 17 |
| CSK T090 - EG13 | SK T090 - EG13 | 9 | G 1/4" | 23 | 9 | 52 | 9 | 17 |
| CSK T090 - EG16 | SK T090 - EG16 | 9 | M16x1.5 | 23 | 9 | 52 | 9 | 21 |
| CSK T090 - EG17 | SK T090 - EG17 | 9 | G 3/8" | 23 | 13 | 52 | 9 | 21 |
| CSK T090 - EG21 | SK T090 - EG21 | 9 | G 1/2" | 23 | 13 | 52 | 12 | 22 |
| CSK T190 - EG21 | SK T190 - EG21 | 13 | G 1/2" | 31 | 19 | 74 | 12 | 30 |
| CSK T190 - EG24 | SK T190 - EG24 | 13 | M24x1.5 | 31 | 19 | 78 | 16 | 30 |



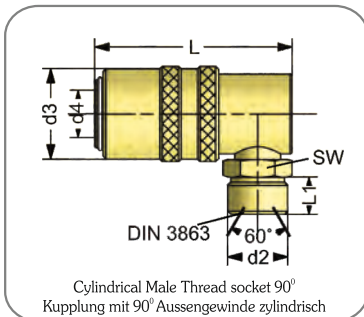
| With Valve - Mit Ventil Order No - Bestell Nr. | Without Valve - Ohne Ventil Order No - Bestell Nr. | NW | d2 | d3 | d4 | L | L1 | SW |
|---|---|----|---------|----|----|----|----|----|
| CSKT060 - EG13 - 45° | SKT060 - EG13 - 45° | 6 | G 1/4" | 17 | 9 | 48 | 9 | 17 |
| CSKT060 - EG14 - 45° | SKT060 - EG14 - 45° | 6 | M14x1.5 | 17 | 9 | 48 | 9 | 17 |
| CSKT060 - EG17 - 45° | SKT060 - EG17 - 45° | 6 | G 3/8" | 17 | 9 | 48 | 9 | 17 |
| CSKT090 - EG17 - 45° | SKT090 - EG17 - 45° | 9 | G 3/8" | 23 | 13 | 55 | 12 | 21 |
| CSKT090 - EG21 - 45° | SKT090 - EG21 - 45° | 9 | G 1/2" | 23 | 13 | 55 | 12 | 21 |
| CSKT190 - EG21 - 45° | SKT190 - EG21 - 45° | 13 | G 1/2" | 31 | 19 | 76 | 14 | 30 |
| CSKT190 - EG24 - 45° | SKT190 - EG24 - 45° | 13 | M24x1.5 | 31 | 19 | 78 | 16 | 30 |



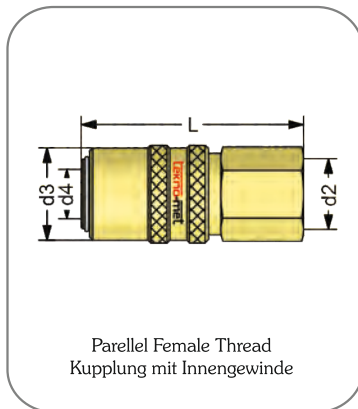
EURO System



| With Valve - Mit Ventil Order No - Bestell Nr. | Without Valve - Ohne Ventil Order No - Bestell Nr. | NW | d2 | d3 | d4 | L | L1 | SW |
|---|---|----|---------|----|----|----|----|----|
| CSKT060 - EG13 -90° | SKT060 - EG13 -90° | 6 | G 1/4" | 17 | 9 | 48 | 11 | 17 |
| CSKT060 - EG14 -90° | SKT060 - EG14 -90° | 6 | M14x1.5 | 17 | 9 | 48 | 11 | 17 |
| CSKT060 - EG17 -90° | SKT060 - EG17 -90° | 6 | G 3/8" | 17 | 9 | 48 | 11 | 17 |
| CSKT090 - EG17 -90° | SKT090 - EG17 -90° | 9 | G 3/8" | 23 | 13 | 52 | 11 | 21 |
| CSKT090 - EG21 -90° | SKT090 - EG21 -90° | 9 | G 1/2" | 23 | 13 | 52 | 11 | 21 |
| CSKT190 - EG21 -90° | SKT190 - EG21 -90° | 13 | G 1/2" | 31 | 19 | 76 | 14 | 30 |
| CSKT190 - EG24 -90° | SKT190 - EG24 -90° | 13 | M24x1.5 | 31 | 19 | 78 | 16 | 30 |

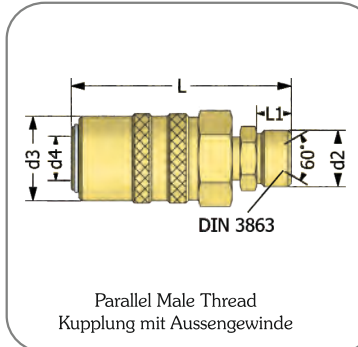


| With Valve - Mit Ventil Order No - Bestell Nr. | Without Valve - Ohne Ventil Order No - Bestell Nr. | NW | d2 | d3 | d4 | L | L1 | SW |
|---|---|----|---------|----|----|----|----|----|
| CSKT060 - DG10 | SKT060 - DG10 | 6 | 10x1 | 17 | 9 | 44 | 9 | 17 |
| CSKT060 - DG13 | SKT060 - DG13 | 6 | G 1/4" | 17 | 9 | 44 | 11 | 17 |
| CSKT060 - DG14 | SKT060 - DG14 | 6 | M14x1.5 | 17 | 9 | 44 | 11 | 17 |
| CSKT060 - DG17 | SKT060 - DG17 | 6 | G 3/8" | 17 | 9 | 44 | 11 | 17 |
| CSKT090 - DG13 | SKT090 - DG13 | 9 | G 1/4" | 23 | 13 | 48 | 11 | 17 |
| CSKT090 - DG16 | SKT090 - DG16 | 9 | M16x1.5 | 23 | 13 | 48 | 11 | 21 |
| CSKT090 - DG17 | SKT090 - DG17 | 9 | G 3/8" | 23 | 13 | 48 | 11 | 21 |
| CSKT090 - DG21 | SKT090 - DG21 | 9 | G 1/2" | 23 | 13 | 48 | 11 | 21 |
| CSKT190 - DG21 | SKT190 - DG21 | 13 | G 1/2" | 31 | 19 | 70 | 14 | 30 |
| CSKT190 - DG24 | SKT190 - DG24 | 13 | M24x1.5 | 31 | 19 | 72 | 16 | 30 |
| CSKT190 - DG26 | SKT190 - DG26 | 13 | G 3/4" | 31 | 19 | 72 | 16 | 30 |



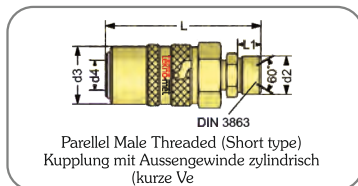
Safety Type Coupler
for disconnected protection
Sicherheitsfunktion für
das ungewollte Trennen

| With Valve - Mit Ventil Order No - Bestell Nr. | Without Valve - Ohne Ventil Order No - Bestell Nr. | NW | d2 | d3 | d4 | L | L1 | SW |
|---|---|----|---------|----|----|----|----|----|
| CSK T060 - EG10/EM | SK T060 - EG10/EM | 6 | M10x1 | 17 | 9 | 52 | 9 | 17 |
| CSK T060 - EG13/EM | SK T060 - EG13/EM | 6 | G 1/4" | 17 | 9 | 52 | 9 | 17 |
| CSK T060 - EG14/EM | SK T060 - EG14/EM | 6 | M14x1.5 | 17 | 9 | 52 | 9 | 17 |
| CSK T060 - EG17/EM | SK T060 - EG17/EM | 6 | G 3/8" | 17 | 9 | 52 | 9 | 17 |
| CSK T090 - EG13/EM | SK T090 - EG13/EM | 9 | G 1/4" | 23 | 9 | 60 | 9 | 22 |
| CSK T090 - EG16/EM | SK T090 - EG16/EM | 9 | M16x1.5 | 23 | 9 | 60 | 9 | 22 |
| CSK T090 - EG17/EM | SK T090 - EG17/EM | 9 | G 3/8" | 23 | 13 | 60 | 9 | 22 |
| CSK T090 - EG21/EM | SK T090 - EG21/EM | 9 | G 1/2" | 23 | 13 | 62 | 9 | 22 |
| CSK T190 - EG21/EM | SK T190 - EG21/EM | 13 | G 1/2" | 31 | 19 | 89 | 12 | 32 |
| CSK T190 - EG24/EM | SK T190 - EG24/EM | 13 | M24x1.5 | 31 | 19 | 90 | 16 | 32 |

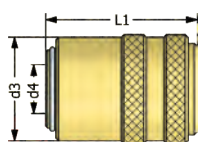


Short Type

| With Valve - Mit Ventil Order No - Bestell Nr. | NW | d2 | d3 | d4 | L | L1 | SW |
|---|----|--------|----|----|----|----|----|
| TCSK060 - EG13/KB | 6 | G 1/4" | 18 | 9 | 38 | 9 | 17 |
| TCSK090 - EG17/KB | 9 | G 3/8" | 23 | 13 | 38 | 9 | 17 |

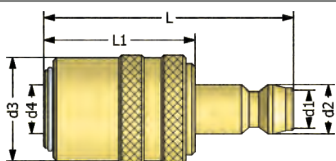


EURO System

**Blind Socket / Blindkupplung**

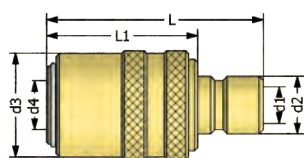
| Order No - Bestell Nr. | NW | d3 | d4 | L1 |
|------------------------|----|----|----|----|
|------------------------|----|----|----|----|

| | | | | |
|--------------------|---|----|----|----|
| T060 KTG 00 | 6 | 17 | 9 | 36 |
| T090 KTG 00 | 9 | 23 | 13 | 36 |

**Adapting Socket With T6-T9 Plugs
Adapterkupplung mit T6-T9 Nippel**

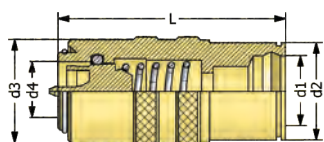
| With Valve - Mit Ventil Order No - Bestell Nr. | Without Valve - Ohne Ventil Order No - Bestell Nr. | NW | d2 | d1 | d3 | d4 | L | L1 |
|---|---|----|----|----|----|----|---|----|
|---|---|----|----|----|----|----|---|----|

| | | | | | | | | |
|-----------------------|----------------------|---|---|----|----|----|------|----|
| CSKT060 AU 090 | SKT060 AU 090 | 6 | 6 | 9 | 18 | 9 | 45 | 44 |
| CSKT090 AU 060 | SKT090 AU 060 | 9 | 9 | 13 | 23 | 13 | 50.5 | 45 |

**Adapting Socket with T060-T090 Plugs
Adapterkupplung mit T060-T090 Nippel**

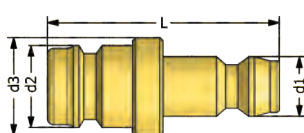
| With Valve - Mit Ventil Order No - Bestell Nr. | Without Valve - Ohne Ventil Order No - Bestell Nr. | NW | d1 | d2 | d3 | d4 | L | L1 |
|---|---|----|----|----|----|----|---|----|
|---|---|----|----|----|----|----|---|----|

| | | | | | | | | |
|----------------------|---------------------|---|---|----|----|----|----|----|
| CSKT060 AU 06 | SKT060 AU 06 | 6 | 6 | 9 | 18 | 9 | 56 | 44 |
| CSKT090 AU 09 | SKT090 AU 09 | 9 | 9 | 13 | 23 | 13 | 60 | 45 |

**Adapting Socket with T100.08 Plug
Adapterkupplung mit Buchse**

| With Valve - Mit Ventil Order No - Bestell Nr. | Without Valve - Ohne Ventil Order No - Bestell Nr. | NW | d1 | d2 | d3 | d4 | L |
|---|---|----|----|----|----|----|---|
|---|---|----|----|----|----|----|---|

| | | | | | | | |
|-------------------------|--------------------------|---|----|----|----|----|----|
| SKT060 AU 100.08 | CSKT060 AU 100.08 | 6 | 17 | 21 | 18 | 9 | 56 |
| SKT090 AU 100.08 | CSKT090 AU 100.08 | 9 | 17 | 21 | 23 | 13 | 60 |

**Adapting Plug T060 - T090
Adaptornippel T060-T090**

| Order No - Bestell Nr. | d1 | d2 | d3 | L |
|------------------------|----|----|----|---|
|------------------------|----|----|----|---|

| | | | | |
|----------------------|----|----|----|----|
| T060 HEF T090 | 9 | 13 | 14 | 32 |
| T090 HEF T090 | 13 | 13 | 14 | 31 |
| T090 HEF T09 | 13 | 13 | 13 | 35 |
| T060 HEF T060 | 9 | 9 | 10 | 30 |
| T060 HEF T06 | 9 | 9 | 10 | 29 |



Plugs- Nippel

Stop Plug - Blindnippel



Order No - Bestell Nr. d1

| | |
|--------------------|----|
| T060 KTU 00 | 9 |
| T060 KTU 00 | 13 |
| T060 KTU 00 | 19 |

Sichere Kopplung -
Safety type coupler
for disconnect protection

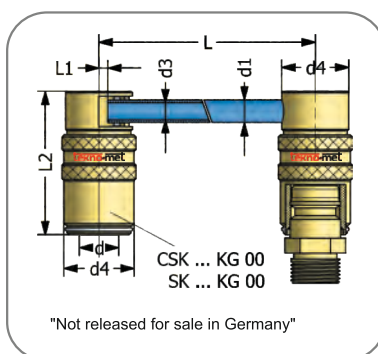
Fügen Sie den Code "S"
der Reihe nach hinzu.
Add "S" to item code



Diverging Socket Umlenkupplungen

With Valve - Mit Ventil
Order No - Bestell Nr.Without Valve - Ohne Ventil
Order No - Bestell Nr.

d d1 d2 d3 d4 t h L L1 L2



| | | | | | | | | | | | |
|-------------------------|------------------------|----|----|----|----|----|----|----|-----|---|----|
| CSKT60 - KG 125 | SKT060 - KG 125 | 9 | 8 | 20 | 6 | 17 | 18 | 29 | 125 | 0 | 44 |
| CSKT060 - KG 250 | SKT060 - KG 250 | 9 | 8 | 20 | 6 | 17 | 18 | 29 | 250 | 0 | 44 |
| CSKT060 - KG 500 | SKT060 - KG 500 | 9 | 8 | 20 | 6 | 17 | 18 | 29 | 500 | 0 | 44 |
| CSKT090 - KG 125 | SKT090 - KG 125 | 13 | 10 | 26 | 8 | 23 | 18 | 39 | 125 | 2 | 53 |
| CSKT090 - KG 250 | SKT090 - KG 250 | 13 | 10 | 26 | 8 | 23 | 18 | 39 | 250 | 2 | 53 |
| CSKT090 - KG 500 | SKT090 - KG 500 | 13 | 10 | 26 | 8 | 23 | 18 | 39 | 500 | 2 | 53 |
| CSKT190 - KG 160 | SKT190 - KG 160 | 19 | 14 | 36 | 12 | 31 | 36 | 54 | 160 | 3 | 80 |
| CSKT190 - KG 315 | SKT190 - KG 315 | 19 | 14 | 36 | 12 | 31 | 36 | 54 | 315 | 3 | 80 |
| CSKT190 - KG 500 | SKT190 - KG 500 | 19 | 14 | 36 | 12 | 31 | 36 | 54 | 500 | 3 | 80 |

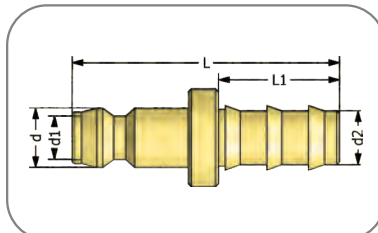
Push-Lock Hose Plug Stecknippel mit Schnellsteck-Achlaichtülle

Order No - Bestell Nr.

d

d1

d2

L
mmL1
mm

| | | | | | |
|-------------------|----|----|-----------|----|----|
| T060 FU 10 | 9 | 6 | 10 - 3/8" | 41 | 24 |
| T060 FU 13 | 9 | 6 | 13 - 1/2" | 45 | 24 |
| T090 FU 10 | 13 | 9 | 10 - 3/8" | 41 | 24 |
| T090 FU 13 | 13 | 9 | 13 - 1/2" | 45 | 28 |
| T190 FU 13 | 19 | 13 | 13 - 1/2" | 60 | 28 |
| T190 FU 19 | 19 | 13 | 19 - 3/4" | 70 | 38 |

Standard Hose barbs Standard Schlauchtülle

Order No - Bestell Nr.

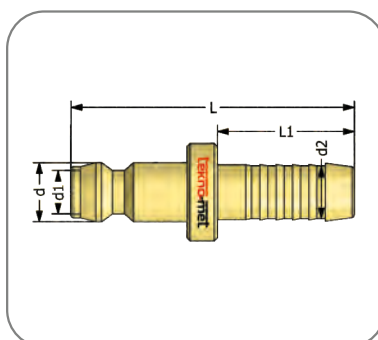
d
(mm)

d1

d2

L

L1



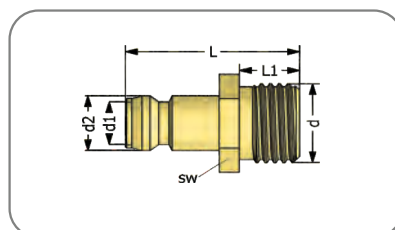
| | | | | | |
|---------------------|----|----|-----------|----|----|
| T060 - HU 06 | 9 | 6 | 6 - 1/4" | 37 | 17 |
| T060 - HU 08 | 9 | 6 | 8 - 5/16" | 37 | 17 |
| T060 - HU 09 | 9 | 6 | 9 - 5/14" | 37 | 17 |
| T060 - HU 10 | 9 | 6 | 10 - 3/8" | 37 | 17 |
| T060 - HU 13 | 9 | 6 | 13 - 1/2" | 37 | 17 |
| T090 - HU 10 | 13 | 9 | 10 - 3/8" | 39 | 23 |
| T090 - HU 13 | 13 | 9 | 13 - 1/2" | 39 | 23 |
| T190 - HU 13 | 19 | 13 | 13 - 1/2" | 53 | 23 |
| T190 - HU 19 | 19 | 13 | 19 - 3/4" | 62 | 27 |



Plugs- Nippel

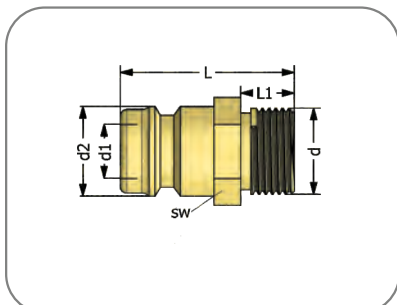


Plug & Extension plug
with thread (T060 serie)
Nippel mit Gewinde (T060 serie)



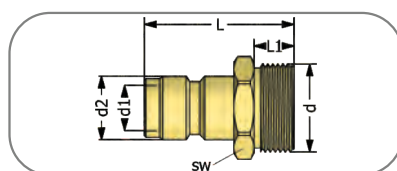
| Order No - Bestell Nr. | d | d1 | d2 | L | L1 | SW |
|-------------------------|---------|----|----|----|----|----|
| T060 - ENM 8 | M8x0.75 | 5 | 9 | 24 | 7 | 11 |
| T060 - ENM 10 | M10x1 | 6 | 9 | 24 | 7 | 11 |
| T060 - EN 10-1.5 | M10x1.5 | 6 | 9 | 26 | 9 | 11 |
| T060 - EN 10 | G 1/8" | 6 | 9 | 24 | 7 | 11 |
| T060 - EN 13 | G 1/4" | 6 | 9 | 26 | 9 | 14 |
| T060 - ENM 14 | M14x1.5 | 6 | 9 | 26 | 9 | 14 |
| T060 - EN 17 | G 3/8" | 6 | 9 | 26 | 9 | 17 |

Plug & Extension plug with thread (T090 serie)
Nippel mit Gewinde (T090 serie)



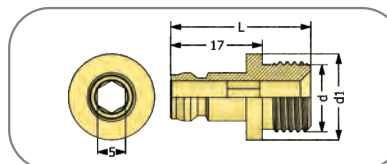
| Order No - Bestell Nr. | d | d1 | d2 | L | L1 | SW |
|--------------------------|---------|----|----|----|----|----|
| T090 - EN 10 | G 1/8" | 9 | 13 | 24 | 7 | 14 |
| T090 - ENM 10 | M10x1 | 9 | 13 | 26 | 9 | 14 |
| T090 - ENM 10x1.5 | M10x1.5 | 9 | 13 | 26 | 9 | 14 |
| T090 - ENM 12 | M12x1.5 | 9 | 13 | 26 | 9 | 14 |
| T090 - EN 13 | G 1/4" | 9 | 13 | 26 | 9 | 14 |
| T090 - ENM 14 | M14x1.5 | 9 | 13 | 26 | 9 | 14 |
| T090 - ENM 16 | M16x1.5 | 9 | 13 | 26 | 9 | 17 |
| T090 - EN 17 | G 3/8" | 9 | 13 | 26 | 9 | 17 |
| T090 - EN 21 | G 1/2" | 9 | 13 | 30 | 12 | 21 |

Plug with thread (T190 serie)
Nippel mit Gewinde (T190 serie)



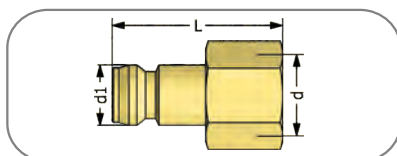
| Order No - Bestell Nr. | d | d1 | d2 | L | L1 | SW |
|------------------------|---------|----|----|----|----|----|
| T190 - EN 21 | G 1/2" | 13 | 19 | 47 | 12 | 22 |
| T190 - ENM 24 | M24x1.5 | 13 | 19 | 51 | 16 | 27 |
| T190 - EN 26 | G 3/4" | 13 | 19 | 51 | 16 | 27 |

Inner hex. Plugs for T060 Serie
Nippel mit Innenschkant
Brass - Messing



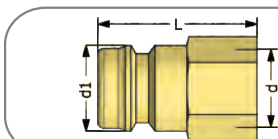
| Order No - Bestell Nr. | d | d1 | L |
|------------------------|---------|------|----|
| T060 AUM 08 | M8x0.75 | 10 | 24 |
| T060 AUM 10 | M10x1 | 11 | 24 |
| T060 AUG 10 | G 1/8" | 11 | 24 |
| T060 AUG 13 | G 1/4" | 13.5 | 27 |

Plug with thread (T060 serie)
Nippel mit Gewinde (T060 serie)



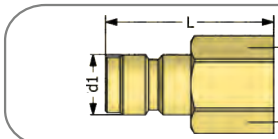
| Order No - Bestell Nr. | Ød | Ød1 | L | SW |
|------------------------|----------|-----|----|----|
| T060 DU 10 | BSP 1/8" | 9 | 25 | 14 |
| T060 DU 13 | BSP 1/4" | 9 | 27 | 17 |
| T060 DU 17 | BSP 3/8" | 9 | 27 | 19 |

Plugs- Nippel


Plug with thread (T090 serie)
Nippel mit Gewinde (T090 serie)


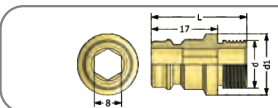
| Order No - Bestell Nr. | Ød | Ød1 | L | SW |
|------------------------|----|-----|---|----|
|------------------------|----|-----|---|----|

| | | | | |
|-------------------|----------|----|----|----|
| T090 DU 13 | BSP 1/4" | 13 | 26 | 17 |
| T090 DU 17 | BSP 3/8" | 13 | 26 | 19 |
| T090 DU 21 | BSP 1/2" | 13 | 28 | 24 |

Plug with thread (T190 serie)
Nippel mit Gewinde (T190 serie)


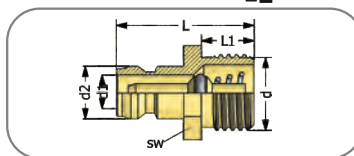
| Order No - Bestell Nr. | Ød | Ød1 | L | SW |
|------------------------|----|-----|---|----|
|------------------------|----|-----|---|----|

| | | | | |
|-------------------|----------|----|----|----|
| T190 DU 21 | BSP 1/2" | 19 | 46 | 24 |
| T190 DU 26 | BSP 3/4" | 19 | 50 | 30 |

Inner hex.Plugs for T090 Serie
Nippel mit Gewinde (T090 serie)


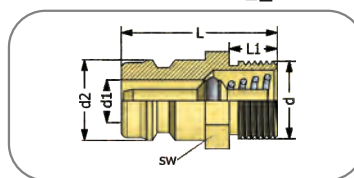
| Order No - Bestell Nr. | d | d1 | L |
|------------------------|---|----|---|
|------------------------|---|----|---|

| | | | |
|--------------------|---------|------|----|
| T090 AUM 14 | M14x1.5 | 14.5 | 26 |
| T090 AUG 13 | G 1/4" | 13.5 | 26 |
| T090 AUG 17 | G 3/8" | 17 | 26 |

Plug with valve (T060 serie) Verschlussnippel (T060)


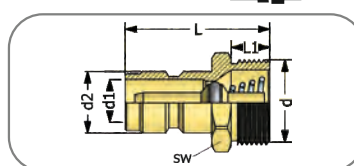
| Order No - Bestell Nr. | d | d1 | d2 | L | L1 | SW |
|------------------------|---|----|----|---|----|----|
|------------------------|---|----|----|---|----|----|

| | | | | | | |
|------------------------|---------|---|---|----|----|----|
| T060 - EN 13 V | G 1/4" | 6 | 9 | 30 | 12 | 14 |
| T060 - ENM 14 V | M14x1.5 | 6 | 9 | 30 | 12 | 14 |
| T060 - EN 17 V | G 3/8" | 6 | 9 | 30 | 12 | 17 |

Plug with valve (T090 serie) Verschlussnippel (T090)


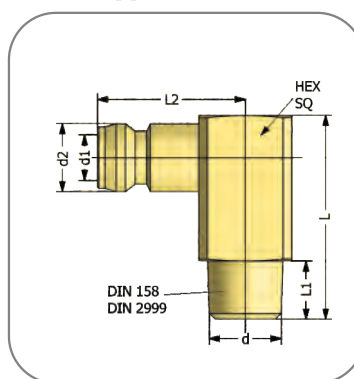
| Order No - Bestell Nr. | d | d1 | d2 | L | L1 | SW |
|------------------------|---|----|----|---|----|----|
|------------------------|---|----|----|---|----|----|

| | | | | | | |
|------------------------|---------|---|----|----|----|----|
| T090 - EN 13 V | G 1/4" | 9 | 13 | 30 | 12 | 14 |
| T090 - ENM 14 V | M14x1.5 | 9 | 13 | 30 | 12 | 14 |
| T090 - ENM 16 V | M16x1.5 | 9 | 13 | 30 | 12 | 17 |
| T090 - EN 17 V | G 3/8" | 9 | 13 | 30 | 12 | 17 |
| T090 - EN 21 V | G 1/2" | 9 | 13 | 30 | 12 | 21 |

Plug with valve (T190 serie) Verschlussnippel (T190)


| Order No - Bestell Nr. | d | d1 | d2 | L | L1 | SW |
|------------------------|---|----|----|---|----|----|
|------------------------|---|----|----|---|----|----|

| | | | | | | |
|------------------------|---------|----|----|----|----|----|
| T190 - EN 21 V | G 1/2" | 13 | 19 | 51 | 16 | 22 |
| T190 - ENM 24 V | M24x1.5 | 13 | 19 | 51 | 16 | 27 |
| T190 - EN 26 V | G 3/4" | 13 | 19 | 51 | 16 | 27 |

Angle Plug with 90°
Winkelnippel mit 90°


| Order No - Bestell Nr. | d | d1 | d2 | L | L1 | L2 | SW(SQ) |
|------------------------|---|----|----|---|----|----|--------|
|------------------------|---|----|----|---|----|----|--------|

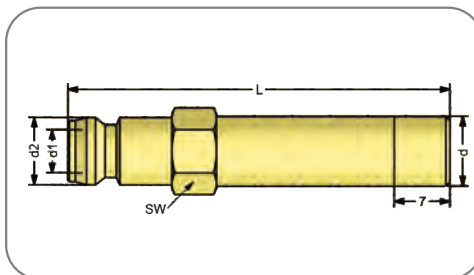
| | | | | | | | |
|--------------------------|---------|-----|----|----|----|----|----|
| T060 ENM 8 - 90° | M8x0.75 | 4.5 | 9 | 27 | 9 | 23 | 11 |
| T060 ENM 10 - 90° | M10x1 | 6 | 9 | 27 | 9 | 23 | 11 |
| T060 EN 10 - 90° | R 1/8" | 6 | 9 | 27 | 9 | 23 | 11 |
| T060 EN 13 - 90° | R 1/4" | 6 | 9 | 34 | 12 | 23 | 15 |
| T060 ENM 14 - 90° | M14x1.5 | 6 | 9 | 34 | 12 | 23 | 15 |
| T060 EN 17 - 90° | R 3/8" | 6 | 9 | 34 | 12 | 23 | 17 |
| T090 EN 13 - 90° | R 1/4" | 9 | 13 | 34 | 12 | 25 | 15 |
| T090 ENM 14 - 90° | M14x1.5 | 9 | 13 | 34 | 12 | 25 | 15 |
| T090 EN 17 - 90° | R 3/8" | 9 | 13 | 34 | 12 | 25 | 17 |
| T190 EN 21 - 90° | R 1/2" | 13 | 19 | 47 | 16 | 35 | 24 |
| T190 ENM 24 - 90° | M24x1.5 | 13 | 19 | 47 | 16 | 35 | 24 |

EURO System

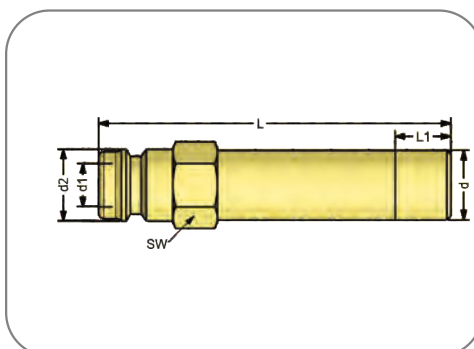
Plugs- Nippel


Plug & Extension plug with thread (T060 serie)
Verlängerunsnippel mit Gewinde (T060 serie)

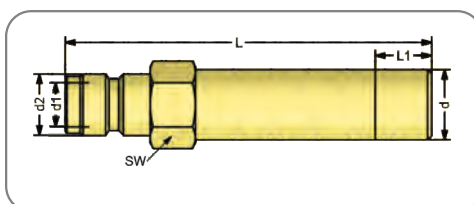
| Order No - Bestell Nr. | d | d1 | d2 | L1 | SW | Extension tube / Verlängerung | | |
|-----------------------------|----------|----|----|----|----|-------------------------------|------|------|
| | | | | | | L60 | L100 | L150 |
| T060 - ENM 8 x L | M8x0.75 | 5 | 9 | 7 | 11 | 60 | 100 | 150 |
| T060 - ENM 10 x L | M10x1 | 6 | 9 | 7 | 11 | 60 | 100 | 150 |
| T060 - EN 10-1.5 x L | LM10x1.5 | 6 | 9 | 9 | 11 | 60 | 100 | 150 |
| T060 - EN 10 x L | G 1/8" | 6 | 9 | 7 | 11 | 60 | 100 | 150 |
| T060 - EN 13 x L | G 1/4" | 6 | 9 | 9 | 14 | 60 | 100 | 150 |
| T060 - ENM 14 x L | M14x1.5 | 6 | 9 | 9 | 14 | 60 | 100 | 150 |
| T060 - EN 17 x L | G 3/8" | 6 | 9 | 9 | 17 | 60 | 100 | 150 |


Plug & Extension plug with thread (T090 serie)
Verlängerunsnippel mit Gewinde (T090 serie)

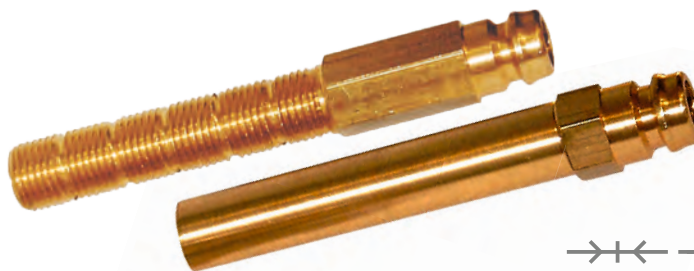
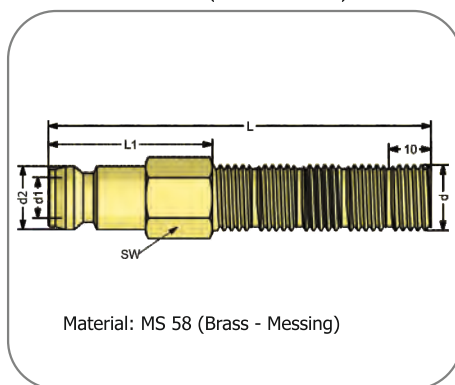
| Order No - Bestell Nr. | d | d1 | d2 | L1 | SW | Extension tube / Verlängerung | | |
|------------------------------|----------|----|----|----|----|-------------------------------|------|------|
| | | | | | | L60 | L100 | L150 |
| T090 - EN 10 x L | G 1/8" | 9 | 13 | 7 | 14 | 60 | 100 | 150 |
| T090 - ENM 10 x L | M10x1 | 9 | 13 | 9 | 14 | 60 | 100 | 150 |
| T090 - ENM 10x1.5 x L | LM10x1.5 | 9 | 13 | 9 | 14 | 60 | 100 | 150 |
| T090 - ENM 12 x L | M12x1.5 | 9 | 13 | 9 | 14 | 60 | 100 | 150 |
| T090 - EN 13 x L | G 1/4" | 9 | 13 | 9 | 14 | 60 | 100 | 150 |
| T090 - ENM 14 x L | M14x1.5 | 9 | 13 | 9 | 14 | 60 | 100 | 150 |
| T090 - ENM 16 x L | M16x1.5 | 9 | 13 | 9 | 17 | 60 | 100 | 150 |
| T090 - EN 17 x L | G 3/8" | 9 | 13 | 9 | 17 | 60 | 100 | 150 |
| T090 - EN 21 x L | G 1/2" | 9 | 13 | 12 | 21 | 60 | 100 | 150 |


Plug with thread (T190 serie)
Verlängerunsnippel mit Gewinde (T190 serie)

| Order No - Bestell Nr. | d | d1 | d2 | L1 | SW | Extension tube / Verlängerung | | |
|------------------------|---------|----|----|----|----|-------------------------------|------|------|
| | | | | | | L60 | L100 | L150 |
| T190 - EN 21 | G 1/2" | 13 | 19 | 12 | 22 | 250 | 500 | 800 |
| T190 - ENM 24 | M24x1.5 | 13 | 19 | 16 | 27 | 250 | 500 | 800 |
| T190 - EN 26 | G 3/4" | 13 | 19 | 16 | 27 | 250 | 500 | 800 |



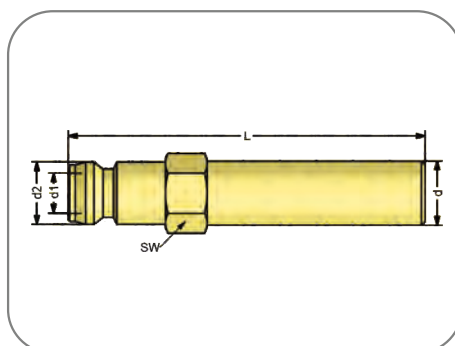
Plugs-Nippel


**Long threaded plugs
(T060 - T090 seri / serie)
Gewindestecker (T060-T090)**


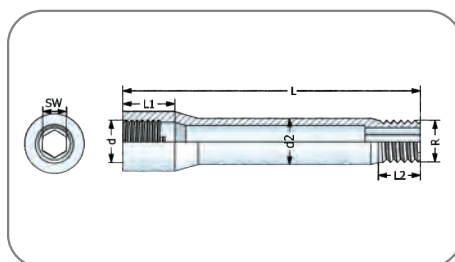
| Order No - Bestell Nr. | Type | d | d1 | d2 | L1 | L2 | SW |
|------------------------|------|---------|----|----|----|-----|----|
| T060 BLM 10x100 | 060 | M10x10 | 6 | 9 | 40 | 100 | 11 |
| T060 BL 10x100 | 060 | G 1/8" | 6 | 9 | 40 | 100 | 11 |
| T060 BL 13x100 | 060 | G 1/4" | 6 | 9 | 40 | 100 | 14 |
| T060 BLM 14x100 | 060 | M14x1.5 | 6 | 9 | 40 | 100 | 14 |
| T060 BL 17x100 | 060 | G 3/8" | 6 | 9 | 40 | 100 | 17 |
| T090 BLM 10x100 | 090 | M1x10 | 9 | 13 | 40 | 100 | 14 |
| T090 BL 10x100 | 090 | G 1/8" | 9 | 13 | 40 | 100 | 14 |
| T090 BL 13x100 | 090 | G 1/4" | 9 | 13 | 40 | 100 | 14 |
| T090 BLM 14x100 | 090 | M14x1.5 | 9 | 13 | 40 | 100 | 14 |
| T090 BLM 16x100 | 090 | M16x1.5 | 9 | 13 | 40 | 100 | 17 |
| T090 BL 17x100 | 090 | G 3/8" | 9 | 13 | 40 | 100 | 17 |

**Extension plug without thread
Verlängerunsnippel ohne Gewinde**

Material : MS 58 - Brass - Messing



| Order No - Bestell Nr. | Type | d | d1 | d2 | L1 | L | SW |
|------------------------|------|----|----|----|----|-----|----|
| T060 BU 63 | 060 | 8 | 6 | 9 | 21 | 63 | 9 |
| T060 BU 100 | 060 | 10 | 6 | 9 | 21 | 100 | 11 |
| T060 BU 120 | 060 | 10 | 6 | 9 | 21 | 120 | 11 |
| T060 BU 240 | 060 | 10 | 6 | 9 | 21 | 240 | 11 |
| T060 BU 360 | 060 | 10 | 6 | 9 | 21 | 360 | 11 |
| T090 BU 150 | 090 | 14 | 9 | 13 | 22 | 150 | 15 |
| T090 BU 300 | 090 | 14 | 9 | 13 | 22 | 300 | 15 |
| T090 BU 450 | 090 | 14 | 9 | 13 | 22 | 450 | 15 |
| T190 BU 500 | 190 | 21 | 13 | 19 | 33 | 500 | 22 |
| T190 BU 800 | 190 | 21 | 13 | 19 | 33 | 800 | 22 |

**Steel Extension Tube
Verlängerunsnippel aus Stahl**


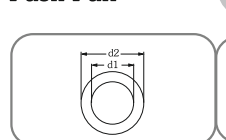
| Order No - Bestell Nr. | | d | R | d2 | L | L1 | L2 | SW |
|------------------------|---------------------|------|------|----|-----|----|----|----|
| BSP / BSPT | NPT / NPT | | | | | | | |
| TR 10 BU 50 | TN 10 BU 50 | 1/8" | 1/8" | 10 | 50 | 12 | 10 | 5 |
| TR 10 BU 75 | TN 10 BU 75 | 1/8" | 1/8" | 10 | 75 | 12 | 10 | 5 |
| TR 10 BU 100 | TN 10 BU 100 | 1/8" | 1/8" | 10 | 100 | 12 | 10 | 5 |
| TR 10 BU 125 | TN 10 BU 125 | 1/8" | 1/8" | 10 | 125 | 12 | 10 | 5 |
| TR 13 BU 50 | TN 13 BU 50 | 1/4" | 1/4" | 14 | 50 | 12 | 10 | 8 |
| TR 13 BU 75 | TN 13 BU 75 | 1/4" | 1/4" | 14 | 75 | 12 | 10 | 8 |
| TR 13 BU 100 | TN 13 BU 100 | 1/4" | 1/4" | 14 | 100 | 12 | 10 | 8 |
| TR 13 BU 125 | TN 13 BU 125 | 1/4" | 1/4" | 14 | 125 | 12 | 10 | 8 |
| TR 13 BU 150 | TN 13 BU 150 | 1/4" | 1/4" | 14 | 150 | 12 | 10 | 8 |

Spare O-Rings (NBR) - Ersatz O-Ring (NBR)

| Order No Bestell Nr. | Serie | Temperature |
|-------------------------|-------|-----------------|
| CG T060 N | 060 | -20° / 100° C |
| CG T090 N | 090 | -4° F / +212° F |
| CG T190 N | 190 | |

Spare O-Rings (NBR) - Ersatz O-Ring (V)

| Order No Bestell Nr. | Serie | Temperature |
|-------------------------|-------|------------------|
| CG T060 V | 060 | -10° / 200° C |
| CG T090 V | 090 | +14° F / +392° F |
| CG T190 V | 190 | |

Push-Pull


| Sipariş No Order No | Seri Serie | d1 | d2 |
|------------------------|---------------|----|----|
| SHF 10 | T060 / T06 | 12 | 22 |
| SHF 13 | T090 / T09 | 15 | 24 |
| SHF 19 | T190 / T19 | 21 | 32 |

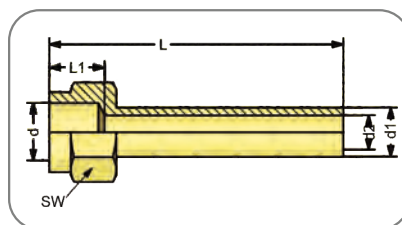
Plugs-Nippel



Sealing nipple extensions

Dichtungsnippel mit Verlängerunsnippel

Material : MS 58 (Brass - Messing)

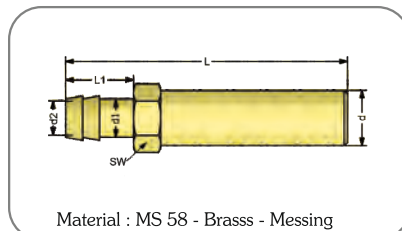


| Order No - Bestell Nr. | d | d1 | d2 | t | L1 | L | SW |
|------------------------|---------|----|----|----|------|-----|----|
| TUN 14 - 120 | M14x1.5 | 10 | 6 | 12 | 15.5 | 120 | 17 |
| TUN 14 - 240 | M14x1.5 | 10 | 6 | 12 | 15.5 | 240 | 17 |
| TUN 16 - 150 | M16x1.5 | 14 | 9 | 12 | 15.5 | 150 | 22 |
| TUN 16 - 300 | M16x1.5 | 14 | 9 | 12 | 15.5 | 300 | 22 |
| TUN 24 - 500 | M24x1.5 | 21 | 13 | 16 | 21 | 500 | 30 |
| TUN 24 - 800 | M24x1.5 | 21 | 13 | 16 | 21 | 800 | 30 |

Extension plug without thread

Verlängerunsnippel ohne Gewinde

Material : MS 58 - Brass - Messing

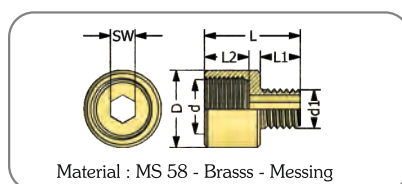


Material : MS 58 - Brass - Messing

| Order No - Bestell Nr. | d | d1 | d2 | L1 | L | SW |
|------------------------|----|----|----|----|-----|----|
| TBHE 120 | 10 | 9 | 6 | 25 | 120 | 11 |
| TBHE 240 | 10 | 9 | 6 | 25 | 240 | 11 |
| TBHE 360 | 10 | 9 | 6 | 25 | 360 | 11 |
| TBHE 150 | 14 | 13 | 9 | 33 | 150 | 15 |
| TBHE 300 | 14 | 13 | 9 | 33 | 300 | 15 |
| TBHE 450 | 14 | 13 | 9 | 33 | 450 | 15 |
| TBHE 500 | 21 | 19 | 13 | 38 | 500 | 22 |

Cylindrical reduction

Reduzlernippel

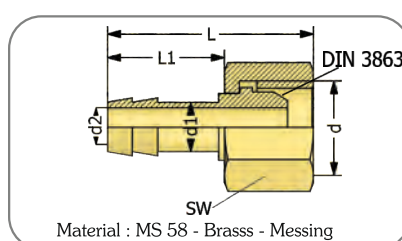


Material : MS 58 - Brass - Messing

| Order No - Bestell Nr. | d | d1 | D | L | L1 | L2 | SW |
|------------------------|---------|---------|----|----|----|----|----|
| TBDM 14/10 | M14x1.5 | M10x1 | 17 | 22 | 7 | 12 | 6 |
| TBDM 13/10 | G 1/4" | G 1/8" | 17 | 22 | 7 | 12 | 6 |
| TBDM 16/14 | M16x1.5 | M14x1.5 | 20 | 24 | 9 | 12 | 8 |
| TBDM 17/13 | G 3/8" | G 1/4" | 20 | 24 | 9 | 12 | 8 |

Hose tail + Nut

Schlauchtüllen+ Überwurfmutter

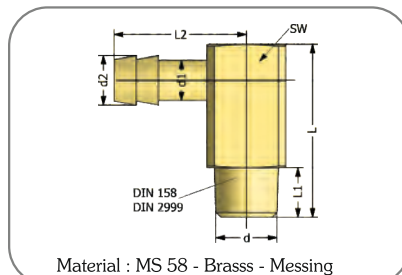


Material : MS 58 - Brass - Messing

| Order No - Bestell Nr. | d | d1 | d2 | L1 | L | SW |
|------------------------|---------|----|----|------|------|----|
| TSN 14 | M14x1.5 | 9 | 6 | 15.5 | 34.5 | 17 |
| TSN 13 | G 1/4" | 9 | 6 | 15.5 | 34.5 | 17 |
| TSN 16 | M16x1.5 | 13 | 9 | 14 | 41 | 22 |
| TSN 17 | G 3/8" | 13 | 9 | 14 | 41 | 22 |
| TSN 24 | M24x1.5 | 19 | 13 | 20 | 52 | 30 |
| TSN 26 | G 3/4" | 19 | 13 | 20 | 52 | 32 |

Nippel 90°

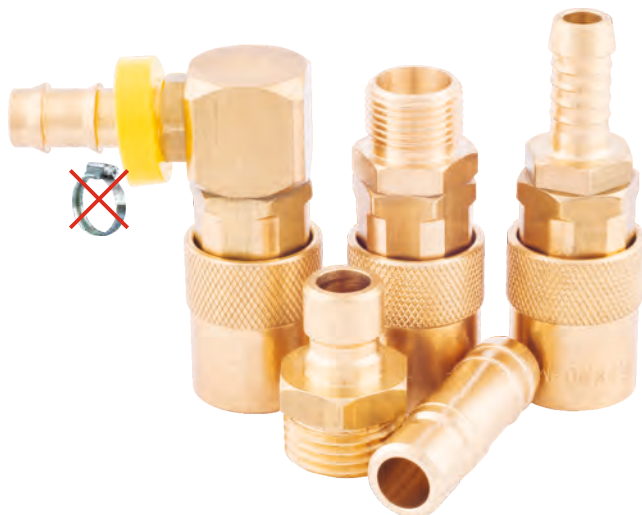
Winkelnippel 90°



Material : MS 58 - Brass - Messing

| Order No - Bestell Nr. | d | d1 | d2 | L | L1 | L2 | SW |
|------------------------|---------|----|-----|----|----|------|----|
| TAHE M8 | M8x0.75 | 9 | 4.5 | 27 | 9 | 23 | 11 |
| TAHE M10 | M10x1 | 9 | 6 | 27 | 9 | 23 | 11 |
| TAHE 10 | R 1/8" | 9 | 6 | 27 | 9 | 23 | 11 |
| TAHE M14 | M14x1.5 | 13 | 9 | 34 | 12 | 32.5 | 15 |
| TAHE 13 | R 1/4" | 13 | 9 | 34 | 12 | 32.5 | 15 |
| TAHE M24 | M24x1.4 | 19 | 13 | 47 | 16 | 44 | 24 |
| TAHE 21 | R 1/2" | 19 | 13 | 47 | 16 | 44 | 22 |

USA System

**Material - Material**

Coupler Body - Kupplungsgrundkörper : Brass - Messing
Sleeve - Hülse : Brass - Messing
Springs - Federn : Stainless Steel - Edelstahl

Locking O-Ring - Sprengring : Stainless Steel - Edelstahl

Balls - Kugeln : Stainless Steel - Edelstahl

Seals - Dichtungen : Viton (V)
Plug - Nippel : Brass - Messing

Standart dışı siparişlerde istediğiniz seçenek harfini sipariş no sonuna ekleyiniz. For optional orders please add the symbol of your option end of the order number. (T6 EG 13 N-S)

Using Area :

- On cooling system of plastic zamak, brass and aluminium injection moulds
- On cleaning and washing systems of machines
- On hot oil lines connection
- All industries
- On steam line

Interchangeability - Kompatibilität

RECTUS 86-87-88, DME, FOSTER FJT, PARKER MOLDMATE, JIFFY TITE & JIFFY MATIC,

Temperature Range-Temperaturbereich

-20°C +100°C (-4°F +212°F) NITRIL (N)
-15°C +200°C (+5°F +392°F) VITON (V)

Working Pressure - Betriebsdruck

0 - 10 bar (0 - 145 PSI)
0 - 15 bar (0 - 217 PSI)
0 - 20 bar (0 - 290 PSI)

Flow capacity - Größen

NW - 6 200 (1/4")
NW - 9 300 (3/8")
NW - 16 500 (1/2")

Standard version - Standardversion

Brass Messing
Viton Seal - Viton Dichtung

Options - Optionen

D - Double Shut off - beidseitig absperierbar
N - Nickel plated - vernickelt
S - Stainless steel - Edelstahl

Nutzungsbereich:

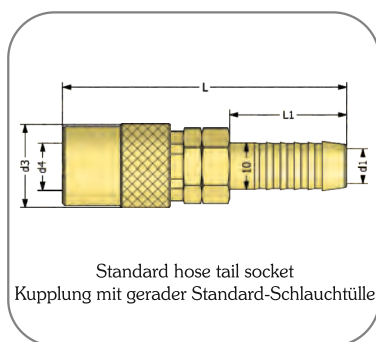
- an Kühlsystemen für Kunststoff-, Zinkdruckguss-, Messing- und Aluminium-Kokillenformen
- Reinigungs und Waschsyste-men von Maschinen
- Heissöleleitungsanschlüssen
- Alle Industriezweige
- Dampfleitungen



With Valve - Mit Ventil
Order No - Bestell Nr.

Without Valve - Ohne Ventil
Order No - Bestell Nr.

| Serie | d1 | d2 | d3 | d4 | L | L1 |
|-------|----|----|----|----|---|----|
|-------|----|----|----|----|---|----|



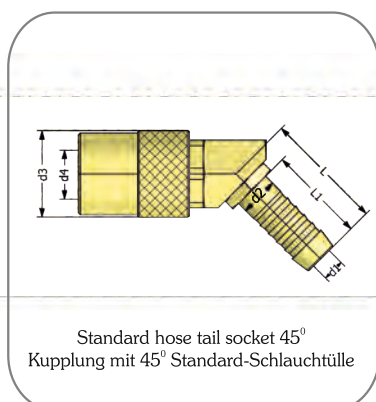
| | | | | | | | | |
|-------------|------------|-----|----|------------|----|----|----|----|
| TVK 6 - 06 | TK 6 - 06 | 200 | 4 | 6 - 1/4" | 17 | 9 | 56 | 27 |
| TVK 6 - 08 | TK 6 - 08 | 200 | 6 | 8 - 5/16" | 17 | 9 | 56 | 27 |
| TVK 6 - 09 | TK 6 - 09 | 200 | 7 | 9 - 5/14" | 17 | 9 | 56 | 27 |
| TVK 6 - 10 | TK 6 - 10 | 200 | 8 | 10 - 3/8" | 17 | 9 | 56 | 27 |
| TVK 9 - 10 | TK 9 - 10 | 300 | 8 | 10 - 3/8" | 23 | 13 | 68 | 29 |
| TVK 9 - 11 | TK 9 - 11 | 300 | 9 | 11 - 7/16" | 23 | 13 | 68 | 29 |
| TVK 9 - 13 | TK 9 - 13 | 300 | 10 | 13 - 1/2" | 23 | 13 | 68 | 29 |
| TVK 16 - 13 | TK 16 - 13 | 500 | 10 | 13 - 1/2" | 32 | 20 | 94 | 36 |
| TVK 16 - 19 | TK 16 - 19 | 500 | 16 | 19 - 3/4" | 32 | 20 | 94 | 36 |



With Valve - Mit Ventil
Order No - Bestell Nr.

Without Valve - Ohne Ventil
Order No - Bestell Nr.

| Serie | d1 | d2 | d3 | d4 | L | L1 |
|-------|----|----|----|----|---|----|
|-------|----|----|----|----|---|----|

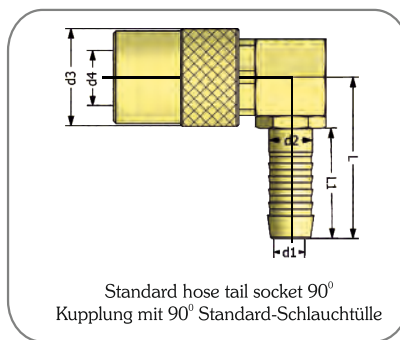


| | | | | | | | | |
|-------------------|------------------|-----|-----|------------|----|----|----|----|
| TVK 6 - 06 - 45° | TK 6 - 06 - 45° | 200 | 4.5 | 6 - 1/4" | 17 | 9 | 32 | 27 |
| TVK 6 - 08 - 45° | TK 6 - 08 - 45° | 200 | 6 | 8 - 5/16" | 17 | 9 | 32 | 27 |
| TVK 6 - 09 - 45° | TK 6 - 09 - 45° | 200 | 6 | 9 - 5/14" | 17 | 9 | 32 | 27 |
| TVK 6 - 10 - 45° | TK 6 - 10 - 45° | 200 | 6 | 10 - 3/8" | 17 | 9 | 32 | 27 |
| TVK 9 - 10 - 45° | TK 9 - 10 - 45° | 300 | 8 | 10 - 3/8" | 23 | 13 | 38 | 29 |
| TVK 9 - 11 - 45° | TK 9 - 11 - 45° | 300 | 9 | 11 - 7/16" | 23 | 13 | 38 | 29 |
| TVK 9 - 13 - 45° | TK 9 - 13 - 45° | 300 | 10 | 13 - 1/2" | 23 | 13 | 38 | 29 |
| TVK 16 - 13 - 45° | TK 16 - 13 - 45° | 500 | 10 | 13 - 1/2" | 32 | 20 | 48 | 36 |
| TVK 16 - 19 - 45° | TK 16 - 19 - 45° | 500 | 16 | 19 - 3/4" | 32 | 20 | 48 | 36 |

USA System



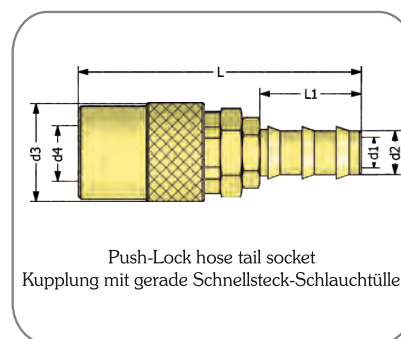
| With Valve - Mit Ventil Order No - Bestell Nr. | Without Valve - Ohne Ventil Order No - Bestell Nr. | Serie | d1 | d2 | d3 | d4 | L |
|---|---|-------|----|----|----|----|---|
|---|---|-------|----|----|----|----|---|



| | | | | | | | |
|--------------------------|-------------------------|-----|-----|------------|----|----|----|
| TVK 6 - 06 - 90° | TK 6 - 06 - 90° | 200 | 4.5 | 6 - 1/4" | 17 | 9 | 34 |
| TVK 6 - 08 - 90° | TK 6 - 08 - 90° | 200 | 6 | 8 - 5/16" | 17 | 9 | 34 |
| TVK 6 - 09 - 90° | TK 6 - 09 - 90° | 200 | 7 | 9 - 5/14" | 17 | 9 | 34 |
| TVK 6 - 10 - 90° | TK 6 - 10 - 90° | 200 | 8 | 10 - 3/8" | 17 | 9 | 34 |
| TVK 9 - 10 - 90° | TK 9 - 10 - 90° | 300 | 8 | 10 - 3/8" | 23 | 13 | 39 |
| TVK 9 - 11 - 90° | TK 9 - 11 - 90° | 300 | 9 | 11 - 7/16" | 23 | 13 | 39 |
| TVK 9 - 13 - 90° | TK 9 - 13 - 90° | 300 | 10 | 13 - 1/2" | 23 | 13 | 39 |
| TVK 16 - 13 - 90° | TK 16 - 13 - 90° | 500 | 10 | 13 - 1/2" | 32 | 20 | 51 |
| TVK 16 - 19 - 90° | TK 16 - 19 - 90° | 500 | 16 | 19 - 3/4" | 32 | 20 | 51 |



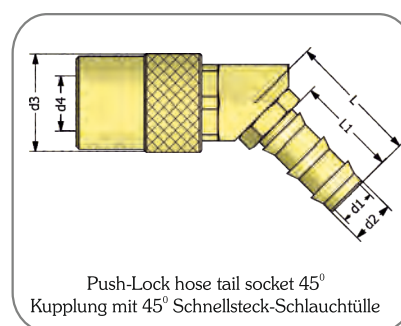
| With Valve - Mit Ventil Order No - Bestell Nr. | Without Valve - Ohne Ventil Order No - Bestell Nr. | Serie | d1 | d2 | d3 | d4 | L |
|---|---|-------|----|----|----|----|---|
|---|---|-------|----|----|----|----|---|



| | | | | | | | |
|---------------------|--------------------|-----|----|-----------|----|----|----|
| TVK 6 FG 06 | TK 6 FG 06 | 200 | 5 | 6 - 1/4" | 17 | 9 | 53 |
| TVK 6 FG 10 | TK 6 FG 10 | 200 | 7 | 10 - 3/8" | 17 | 9 | 53 |
| TVK 9 FG 10 | TK 9 FG 10 | 300 | 8 | 10 - 3/8" | 23 | 13 | 63 |
| TVK 9 FG 13 | TK 9 FG 13 | 300 | 10 | 13 - 1/2" | 23 | 13 | 67 |
| TVK 16 FG 13 | TK 16 FG 13 | 500 | 10 | 13 - 1/2" | 23 | 13 | 67 |
| TVK 16 FG 16 | TK 16 FG 16 | 500 | 13 | 16 - 5/8" | 32 | 20 | 96 |
| TVK 16 FG 19 | TK 16 FG 19 | 500 | 15 | 19 - 3/4" | 32 | 20 | 96 |



| With Valve - Mit Ventil Order No - Bestell Nr. | Without Valve - Ohne Ventil Order No - Bestell Nr. | Serie | d1 | d2 | d3 | d4 | L |
|---|---|-------|----|----|----|----|---|
|---|---|-------|----|----|----|----|---|

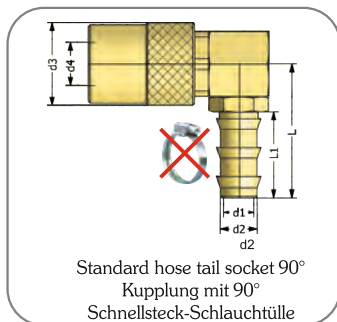


| | | | | | | | |
|---------------------------|--------------------------|-----|----|-----------|----|----|----|
| TVK 6 FG 06 - 45° | TK 6 FG 06 - 45° | 200 | 5 | 6 - 1/4" | 17 | 9 | 29 |
| TVK 6 FG 10 - 45° | TK 6 FG 10 - 45° | 200 | 6 | 10 - 3/8" | 17 | 9 | 29 |
| TVK 9 FG 10 - 45° | TK 9 FG 10 - 45° | 300 | 8 | 10 - 3/8" | 23 | 13 | 29 |
| TVK 9 FG 13 - 45° | TK 9 FG 13 - 45° | 300 | 10 | 13 - 1/2" | 23 | 13 | 37 |
| TVK 16 FG 13 - 45° | TK 16 FG 13 - 45° | 500 | 10 | 13 - 1/2" | 32 | 20 | 47 |
| TVK 16 FG 16 - 45° | TK 16 FG 16 - 45° | 500 | 13 | 16 - 5/8" | 32 | 20 | 57 |
| TVK 16 FG 19 - 45° | TK 16 FG 19 - 45° | 500 | 15 | 19 - 3/4" | 32 | 20 | 57 |

USA System



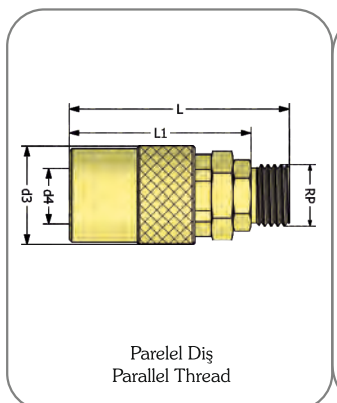
| With Valve - Mit Ventil Order No - Bestell Nr. | Without Valve - Ohne Ventil Order No - Bestell Nr. | Serie | d1 | d2 | d3 | d4 | L | L1 |
|---|---|-------|----|----|----|----|---|----|
|---|---|-------|----|----|----|----|---|----|



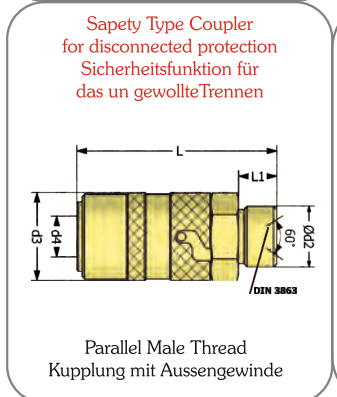
| | | | | | | | | |
|---------------------------|--------------------------|-----|-----|-----------|----|----|----|----|
| TVK 6 FG 10 - 90° | TK 6 FG 06 - 90° | 200 | 4.5 | 6 - 1/4" | 17 | 9 | 29 | 24 |
| TVK 6 FG 10 - 90° | TK 6 FG 10 - 90° | 200 | 6 | 10 - 3/8" | 17 | 9 | 29 | 24 |
| TVK 9 FG 10 - 90° | TK 9 FG 10 - 90° | 300 | 8 | 10 - 3/8" | 23 | 13 | 29 | 24 |
| TVK 9 FG 13 - 90° | TK 9 FG 13 - 90° | 300 | 10 | 13 - 1/2" | 23 | 13 | 37 | 28 |
| TVK 16 FG 13 - 90° | TK 16 FG 13 - 90° | 500 | 10 | 13 - 1/2" | 32 | 20 | 47 | 28 |
| TVK 16 FG 16 - 90° | TK 16 FG 16 - 90° | 500 | 13 | 16 - 5/8" | 32 | 20 | 57 | 38 |
| TVK 16 FG 19 - 90° | TK 16 FG 19 - 90° | 500 | 15 | 19 - 3/4" | 32 | 20 | 57 | 38 |



| With Valve - Mit Ventil Order No - Bestell Nr. | Without Valve - Ohne Ventil Order No - Bestell Nr. | Serie | RP | d3 | d4 | L | L1 |
|---|---|-------|----|----|----|---|----|
|---|---|-------|----|----|----|---|----|



| | | | | | | | |
|---------------------|--------------------|-----|----------|----|----|----|----|
| TVK 6 EG 10 | TK 6 EG 10 | 200 | G 1/8" | 17 | 9 | 44 | 35 |
| TVK 6 EG 13 | TK 6 EG 13 | 200 | G 1/4" | 17 | 9 | 46 | 35 |
| TVK 6 EG 14 | TK 6 EG 14 | 200 | M 14x1.5 | 17 | 9 | 46 | 35 |
| TVK 6 EG 17 | TK 6 EG 17 | 200 | G 3/8" | 17 | 9 | 46 | 35 |
| TVK 9 EG 13 | TK 9 EG 13 | 300 | G 1/4" | 23 | 13 | 56 | 45 |
| TVK 9 EG 16 | TK 9 EG 16 | 300 | M 16x1.5 | 23 | 13 | 56 | 45 |
| TVK 9 EG 17 | TK 9 EG 17 | 300 | G 3/8" | 23 | 13 | 56 | 45 |
| TVK 9 EG 18 | TK 9 EG 18 | 300 | M 18x1.5 | 23 | 13 | 56 | 45 |
| TVK 9 EG 21 | TK 9 EG 21 | 300 | G 1/2" | 23 | 13 | 56 | 45 |
| TVK 16 EG 21 | TK 16 EG 21 | 500 | G 1/2" | 32 | 20 | 80 | 65 |
| TVK 16 EG 26 | TK 16 EG 26 | 500 | G 3/4" | 32 | 20 | 82 | 65 |

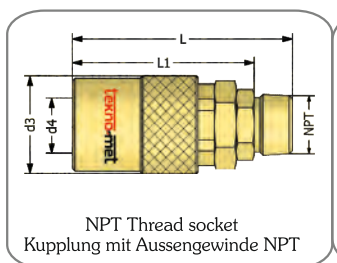


| | | | | | | | |
|------------------------|-----------------------|-----|----------|----|----|----|----|
| TVK 6 EG 10/EM* | TK 6 EG 10/EM | 200 | G 1/8" | 17 | 9 | 50 | 35 |
| TVK 6 EG 13/EM | TK 6 EG 13/EM | 200 | G 1/4" | 17 | 9 | 50 | 35 |
| TVK 6 EG 14/EM | TK 6 EG 14/EM | 200 | M 14x1.5 | 17 | 9 | 50 | 35 |
| TVK 6 EG 17/EM | TK 6 EG 17/EM | 200 | G 3/8" | 17 | 9 | 50 | 35 |
| TVK 9 EG 13/EM | TK 9 EG 13/EM | 300 | G 1/4" | 23 | 13 | 64 | 45 |
| TVK 9 EG 16/EM | TK 9 EG 16/EM | 300 | M 16x1.5 | 23 | 13 | 64 | 45 |
| TVK 9 EG 17/EM | TK 9 EG 17/EM | 300 | G 3/8" | 23 | 13 | 64 | 45 |
| TVK 9 EG 18/EM | TK 9 EG 18/EM | 300 | M 18x1.5 | 23 | 13 | 64 | 45 |
| TVK 9 EG 21/EM | TK 9 EG 21/EM | 300 | G 1/2" | 23 | 13 | 64 | 45 |
| TVK 16 EG 21/EM | TK 16 EG 21/EM | 500 | G 1/2" | 32 | 20 | 90 | 65 |
| TVK 16 EG 26/EM | TK 16 EG 26/EM | 500 | G 3/4" | 32 | 20 | 92 | 65 |

* If you order this way, add "EM" at the of product code



| With Valve - Mit Ventil Order No - Bestell Nr. | Without Valve - Ohne Ventil Order No - Bestell Nr. | Serie | NPT | d3 | d4 | L | L1 |
|---|---|-------|-----|----|----|---|----|
|---|---|-------|-----|----|----|---|----|



| | | | | | | | |
|---------------------|--------------------|-----|----------|----|----|----|----|
| TVK 6 TG 10 | TK 6 TG 10 | 200 | NPT 1/8" | 17 | 9 | 44 | 35 |
| TVK 6 TG 13 | TK 6 TG 13 | 200 | NPT 1/4" | 17 | 9 | 47 | 35 |
| TVK 9 TG 13 | TK 9 TG 13 | 300 | NPT 1/4" | 23 | 13 | 57 | 45 |
| TVK 9 TG 17 | TK 9 TG 17 | 300 | NPT 3/8" | 23 | 13 | 61 | 45 |
| TVK 16 TG 21 | TK 16 TG 21 | 500 | NPT 1/2" | 32 | 20 | 80 | 65 |

USA System

With Valve - Mit Ventil
Order No - Bestell Nr.Without Valve - Ohne Ventil
Order No - Bestell Nr.

Serie

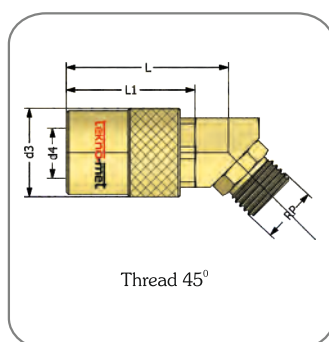
RP

d3

d4

L

L1



| | | | | | | | |
|---------------------------|--------------------------|-----|----------|----|----|----|----|
| TVK 6 EG 10 - 45° | TK 6 EG 10 - 45° | 200 | G 1/8" | 17 | 9 | 38 | 30 |
| TVK 6 EG 13 - 45° | TK 6 EG 13 - 45° | 200 | G 1/4" | 17 | 9 | 38 | 30 |
| TVK 9 EG 13 - 45° | TK 9 EG 13 - 45° | 300 | G 1/4" | 23 | 13 | 50 | 40 |
| TVK 9 EG 16 - 45° | TK 9 EG 16 - 45° | 300 | M 16x1.5 | 23 | 13 | 50 | 40 |
| TVK 9 EG 17 - 45° | TK 9 EG 17 - 45° | 300 | G 3/8" | 23 | 13 | 50 | 40 |
| TVK 9 EG 21 - 45° | TK 9 EG 21 - 45° | 300 | G 1/2" | 23 | 13 | 50 | 40 |
| TVK 16 EG 21 - 45° | TK 16 EG 21 - 45° | 500 | G 1/2" | 32 | 20 | 72 | 57 |

With Valve - Mit Ventil
Order No - Bestell Nr.Without Valve - Ohne Ventil
Order No - Bestell Nr.

Serie

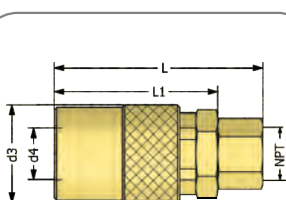
RP

d3

d4

L

L1

Cylindrical Female Thread
Kupplung mit Innengewinde
zylindrisch BSP

| | | | | | | | |
|---------------------|--------------------|-----|----------|----|----|----|----|
| TVK 6 DG 10 | TK 6 DG 10 | 200 | G 1/8" | 17 | 19 | 40 | 30 |
| TVK 6 DG 13 | TK 6 DG 13 | 200 | G 1/4" | 17 | 9 | 42 | 30 |
| TVK 6 DG 14 | TK 6 DG 14 | 200 | M 14x1.5 | 17 | 9 | 42 | 30 |
| TVK 6 DG 17 | TK 6 DG 17 | 200 | G 3/8" | 17 | 9 | 42 | 30 |
| TVK 9 DG 13 | TK 9 DG 13 | 300 | G 1/4" | 23 | 13 | 52 | 40 |
| TVK 9 DG 17 | TK 9 DG 17 | 300 | G 3/8" | 23 | 13 | 52 | 40 |
| TVK 9 DG 21 | TK 9 DG 21 | 300 | G 1/2" | 23 | 13 | 57 | 40 |
| TVK 16 DG 21 | TK 16 DG 21 | 500 | G 1/2" | 30 | 20 | 75 | 57 |

With Valve - Mit Ventil
Order No - Bestell Nr.Without Valve - Ohne Ventil
Order No - Bestell Nr.

Serie

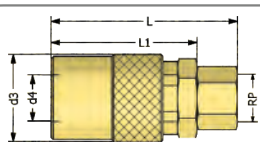
NPT

d3

d4

L

L1

NPT Thread socket
Kupplung mit Innengewinde NPT

| | | | | | | | |
|---------------------|--------------------|-----|----------|----|----|----|----|
| TVK 6 NG 10 | TK 6 NG 10 | 200 | NPT 1/8" | 17 | 9 | 42 | 30 |
| TVK 6 NG 13 | TK 6 NG 13 | 200 | NPT 1/4" | 17 | 9 | 45 | 30 |
| TVK 9 NG 13 | TK 9 NG 13 | 300 | NPT 1/4" | 23 | 13 | 56 | 41 |
| TVK 9 NG 17 | TK 9 NG 17 | 300 | NPT 3/8" | 23 | 13 | 57 | 41 |
| TVK 16 NG 21 | TK 16 NG 21 | 500 | NPT 1/2" | 30 | 20 | 80 | 57 |

USA System



With Valve - Mit Ventil
Order No - Bestell Nr.

Without Valve - Ohne Ventil
Order No - Bestell Nr.

Serie

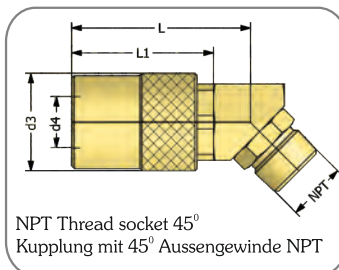
NPT

d3

d4

L

L1



TVK 6 TG 10 - 45°

TK 6 TG 10 - 45°

200

NPT 1/8"

17

9

38

30

TVK 6 TG 13 - 45°

TK 6 TG 13 - 45°

200

NPT 1/4"

17

9

38

30

TVK 9 TG 13 - 45°

TK 9 TG 13 - 45°

300

NPT 1/4"

23

13

50

40

TVK 9 TG 17 - 45°

TK 9 TG 17 - 45°

300

NPT 3/8"

23

13

50

40

TVK 16 TG 21 - 45°

TK 16 TG 21 - 45°

500

NPT 1/2"

32

20

72

57



With Valve - Mit Ventil
Order No - Bestell Nr.

Without Valve - Ohne Ventil
Order No - Bestell Nr.

Serie

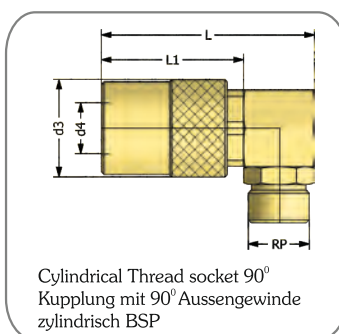
RP

d3

d4

L

L1



TVK 6 EG 10 - 90°

TK 6 EG 10 - 90°

200

G 1/8"

17

9

38

30

TVK 6 EG 13 - 90°

TK 6 EG 13 - 90°

200

G 1/4"

17

9

38

30

TVK 9 EG 13 - 90°

TK 9 EG 13 - 90°

300

G 1/4"

23

13

50

40

TVK 9 EG 16 - 90°

TK 9 EG 16 - 90°

300

M 16x1.5

23

13

50

40

TVK 9 EG 17 - 90°

TK 9 EG 17 - 90°

300

G 3/8"

23

13

50

40

TVK 9 EG 21 - 90°

TK 9 EG 21 - 90°

300

G 1/2"

23

13

50

40

TVK 16 EG 21 - 90°

TK 16 EG 21 - 90°

500

G 1/2"

32

20

72

57



With Valve - Mit Ventil
Order No - Bestell Nr.

Without Valve - Ohne Ventil
Order No - Bestell Nr.

Serie

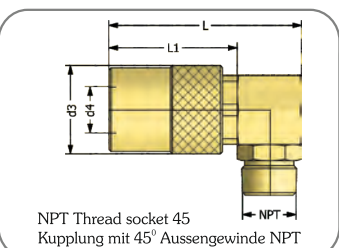
NPT

d3

d4

L

L1



TVK 6 TG 10 - 90°

TK 6 TG 10 - 90°

200

NPT 1/8"

17

9

38

30

TVK 6 TG 13 - 90°

TK 6 TG 13 - 90°

200

NPT 1/4"

17

9

38

30

TVK 9 TG 13 - 90°

TK 9 TG 13 - 90°

300

NPT 1/4"

23

13

50

40

TVK 9 TG 17 - 90°

TK 9 TG 17 - 90°

300

NPT 3/8"

23

13

50

40

TVK 16 TG 21 - 90°

TK 16 TG 21 - 90°

500

NPT 1/2"

32

20

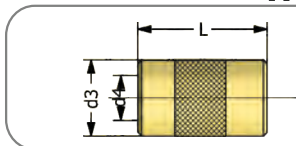
72

57

USA System

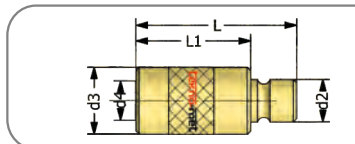


Blind Socket / Blindkupplung



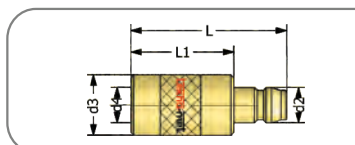
| Order No - Bestell Nr. | Serie | d3 | d4 | L |
|------------------------|-------|----|----|----|
| T6 KTG 00 | 200 | 17 | 9 | 27 |
| T9 KTG 00 | 300 | 23 | 13 | 35 |

Adapting Socket with Plug Adapterkupplung mit nippel



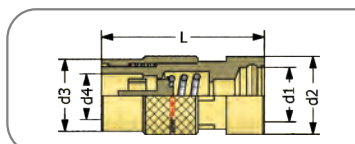
| With Valve - Mit Ventil Order No - Bestell Nr. | Without Valve - Ohne Ventil Order No - Bestell Nr. | Serie | d 2 | d3 | d4 | L | L1 |
|---|---|-------|-----|----|----|----|------|
| TVK 6 AU 09 | TK 6 AU 09 | 200 | 13 | 17 | 9 | 43 | 27.5 |
| TVK 9 AU 06 | TK 9 AU 06 | 300 | 9 | 23 | 13 | 51 | 36 |

Adapting Socket with T060 - T090 Plugs Adapterkupplung mit T060 - T090 nippel



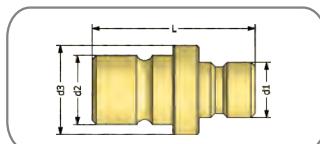
| With Valve - Mit Ventil Order No - Bestell Nr. | Without Valve - Ohne Ventil Order No - Bestell Nr. | Serie | d 2 | d3 | d4 | L | L1 |
|---|---|-------|-----|----|----|------|------|
| TVK 6 AU 060 | TK 6 AU 060 | 200 | 9 | 17 | 9 | 41.5 | 27.5 |
| TVK 9 AU 090 | TK 9 AU 090 | 300 | 13 | 23 | 13 | 50 | 36 |

Adapting Socket with T100.08 Plug Adapterkupplung mit T100.08 nippel



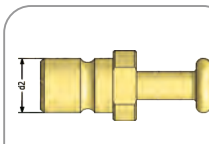
| With Valve - Mit Ventil Order No - Bestell Nr. | Without Valve - Ohne Ventil Order No - Bestell Nr. | Serie | d1 | d 2 | d3 | d4 | L |
|---|---|-------|----|-----|----|----|------|
| TVK 6 AU 100.08 | TK 6 AU 100.08 | 200 | 17 | 21 | 17 | 9 | 46.5 |
| TVK 9 AU 100.08 | TK 9 AU 100.08 | 300 | 17 | 21 | 23 | 13 | 52 |

Adapting Plug - Adapternippel

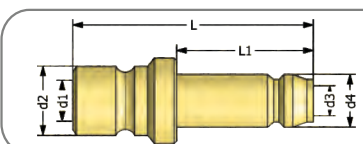


| Order No Bestell Nr. | d1 | d 2 | d3 | L |
|-------------------------|----|-----|----|----|
| T9 HEF 06 | 9 | 13 | 15 | 32 |

Stop Plugs - Blindnippel

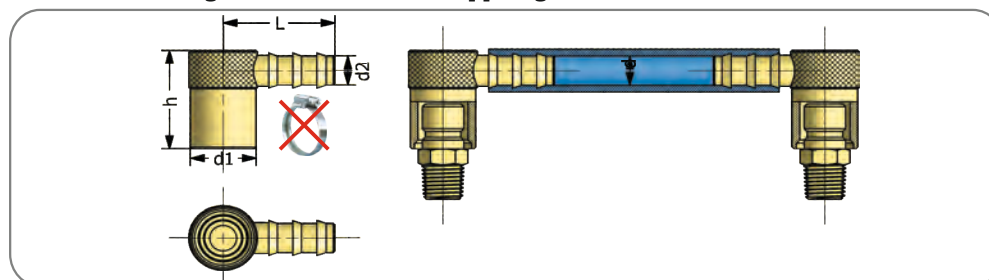


| Sipariş No Order No | Serie | d2 |
|------------------------|------------|----|
| T6 KTU 00 | 200 (1/4") | 9 |
| T9 KTU 00 | 300 (3/8") | 13 |
| T16 KTU 00 | 500 (1/2") | 20 |



| Order No Bestell Nr. | d1 | d 2 | d3 | d4 | L1 | L |
|-------------------------|-----|------|----|------|----|----|
| T06/T060 | 5.5 | 9.5 | 6 | 9 | 14 | 29 |
| T09/T090 | 8 | 13.5 | 9 | 13.5 | 14 | 35 |

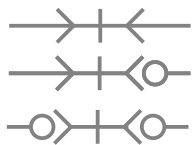
Flexible Diverting connector - Umlenkupplung mit Schnellsteck-Schlauchtülle



| Order No Bestell Nr. | Serie | Ød Hose Inner dia. | h | | L | | d1 | | d2 | |
|-------------------------|-------|-----------------------|------|-------|------|-------|----|-------|------|-------|
| | | | mm | inch. | mm | inch. | mm | inch. | mm | inch. |
| TK 6 KG-10 | 6 | 10 - 3/8" | 25.4 | 1.00 | 31.8 | 1.25 | 17 | 0.67 | 9.7 | 0.375 |
| TK 9 KG 13 | 9 | 13 - 1/2" | 36.3 | 1.43 | 39.6 | 1.56 | 23 | 0.90 | 12.7 | 0.500 |



USA System

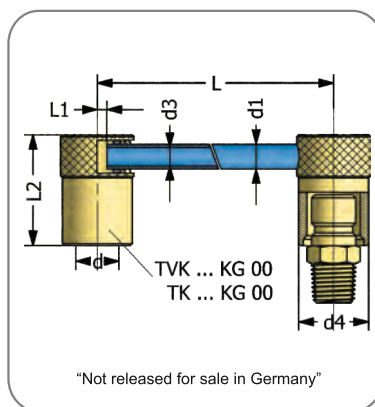


Wenn Sie Kupplungen
Mit Sicherheit bestellen
Bitte am ende der
bestell-NR OCB hinzufügen
Beispiel: CSK09-13 OCB

If you order couplings with
safety please add OCB at
the end of the order number
Example: CSK09-13 OCB



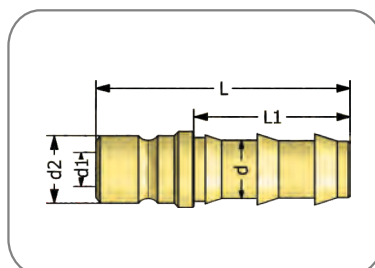
Diverting connector Umlenkkuplung



"Not released for sale in Germany"

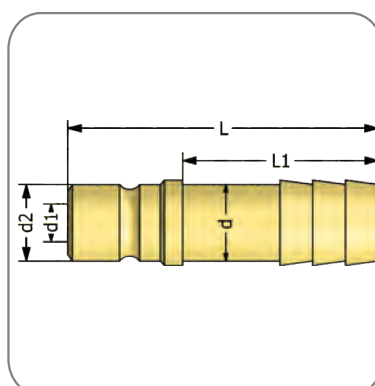
| With Valve - Mit Ventil Order No - Bestell Nr. | Without Valve - Ohne Ventil Order No - Bestell Nr. | Serie | d | d1 | d2 | d3 | d4 | L1 | L2 | L |
|---|---|-------|----|----|----|----|----|----|------|-----|
| TVK T6 - KG125 | TK T6 - KG125 | 200, | 9 | 8 | 20 | 6 | 17 | 0 | 41 | 125 |
| TVK T6 - KG250 | TK T6 - KG250 | 200 | 9 | 8 | 20 | 6 | 17 | 0 | 41 | 250 |
| TVK T6 - KG500 | TK T6 - KG500 | 200 | 9 | 8 | 20 | 6 | 17 | 0 | 41 | 500 |
| TVK T9 - KG125 | TK T9 - KG125 | 300 | 13 | 10 | 26 | 8 | 22 | 2 | 52.5 | 125 |
| TVK T9 - KG250 | TK T9 - KG250 | 300 | 13 | 10 | 26 | 8 | 22 | 2 | 52.5 | 250 |
| TVK T9 - KG500 | TK T9 - KG500 | 300 | 13 | 10 | 26 | 8 | 22 | 2 | 52.5 | 500 |
| TVK T16 - KG160 | TK T16 - KG160 | 500 | 20 | 14 | 36 | 12 | 31 | 2 | 65 | 160 |
| TVK T16 - KG315 | TK T16 - KG315 | 500 | 20 | 14 | 36 | 12 | 31 | 2 | 65 | 315 |
| TVK T16 - KG500 | TK T16 - KG500 | 500 | 20 | 14 | 36 | 12 | 31 | 2 | 65 | 500 |

Push-Lock Hose Plug Stecknippel mit Schellsteck-Schlauchtülle



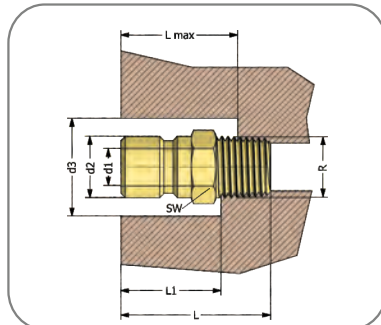
| Order No Bestell Nr. | Serie | d / I.D | | d1 | d2 | L1 | | L | |
|-------------------------|-------|---------|-------|----|----|----|-------|------|-------|
| | | mm | inch. | | | mm | inch. | mm | inch. |
| T6 FU 10 | 200 | 10 | 3/8" | 6 | 9 | 24 | 0.95 | 37 | 1.4 |
| T6 FU 13 | 200 | 13 | 1/2" | 6 | 9 | 24 | 1.10 | 39.5 | 1.56 |
| T9 FU 10 | 300 | 10 | 3/8" | 9 | 13 | 24 | 0.95 | 45 | 1.75 |
| T9 FU 13 | 300 | 13 | 1/2" | 9 | 13 | 28 | 1.10 | 48 | 1.86 |
| T16 FU 13 | 500 | 13 | 1/2" | 15 | 20 | 28 | 1.10 | 50.8 | 2.00 |
| T16 FU 19 | 500 | 19 | 3/4" | 15 | 20 | 28 | 1.50 | 63.5 | 2.50 |

Standard Hose plug Standard Schlauchtülle

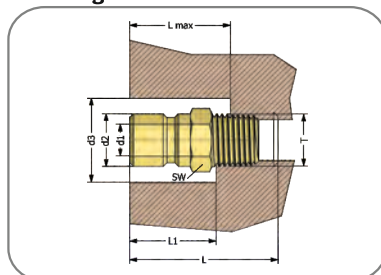


| Order No Bestell Nr. | Serie | d | d1 | d2 | L | L1 |
|-------------------------|-------|------------|----|----|------|----|
| T6 HU 06 | 300 | 6 - 1/4" | 6 | 9 | 37 | 23 |
| T6 HU 08 | 300 | 8 - 5/16" | 6 | 9 | 37 | 23 |
| T6 HU 09 | 300 | 9 - 5/14" | 6 | 9 | 37 | 23 |
| T6 HU 10 | 300 | 10 - 3/8" | 6 | 9 | 37 | 23 |
| T9 HU 09 | 300 | 9 - 5/14" | 9 | 13 | 45 | 26 |
| T9 HU 10 | 300 | 10 - 3/8" | 9 | 13 | 45 | 26 |
| T9 HU 11 | 300 | 11 - 7/16" | 9 | 13 | 45 | 26 |
| T9 HU 13 | 300 | 13 - 1/2" | 9 | 13 | 44.5 | 26 |
| T16 HU 13 | 500 | 13 - 1/2" | 15 | 20 | 50 | 27 |
| T16 HU 20 | 500 | 20 - 3/4" | 15 | 20 | 50 | 27 |

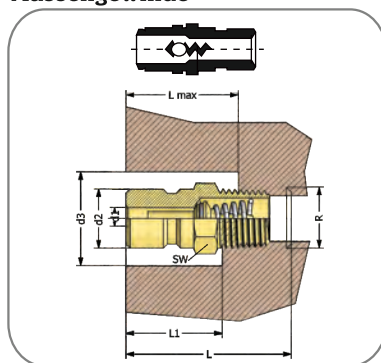
USA System


Plug with conical male thread
Nippel mit konischem
Aussengewinde


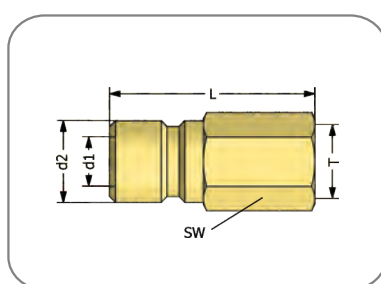
| Order No / Bestell Nr. | | Serie | R | d1 | d2 | d3 | SW | L1 | L max | L |
|------------------------|------------------|-------|------|----|----|----|----|----|-------|----|
| BSPT | NPT | | | | | | | | | |
| T6 EN 10 | T6 TU 10 | 6 | 1/8" | 6 | 9 | 22 | 13 | 17 | 18 | 24 |
| T6 EN 13 | T6 TU 13 | 6 | 1/4" | 6 | 9 | 26 | 14 | 19 | 20 | 29 |
| T6 EN 17 | T6 TU 17 | 6 | 3/8" | 6 | 9 | 30 | 19 | 21 | 22 | 30 |
| T9 EN 10 | T9 TU 10 | 9 | 1/8" | 9 | 13 | 26 | 14 | 25 | 26 | 30 |
| T9 EN 13 | T9 TU 13 | 9 | 1/4" | 9 | 13 | 26 | 16 | 25 | 26 | 33 |
| T9 EN 17 | T9 TU 17 | 9 | 3/8" | 9 | 13 | 60 | 19 | 26 | 28 | 34 |
| T9 EN 21 | T9 TU 21 | 9 | 1/2" | 9 | 13 | 37 | 22 | 26 | 28 | 39 |
| T16 EN 13 | T16 TU 13 | 16 | 1/4" | 15 | 20 | 30 | 21 | 28 | 32 | 41 |
| T16 EN 17 | T16 TU 17 | 16 | 3/8" | 15 | 20 | 32 | 21 | 28 | 32 | 35 |
| T16 EN 21 | T16 TU 21 | 16 | 1/2" | 15 | 20 | 32 | 22 | 37 | 38 | 44 |
| T16 EN 26 | T16 TU 26 | 16 | 3/4" | 15 | 20 | 38 | 29 | 38 | 40 | 45 |

Plug with cylindrical male thread
Nippel mit zylindrisches
Aussengewinde


| Order No / Bestell Nr. | | Serie | T | d1 | d2 | d3 | SW | L1 | L max | L |
|------------------------|--|-------|---------|----|----|----|----|----|-------|----|
| T6 EU 13 | | | | | | | | | | |
| T6 EU 17 | | 6 | G3/8" | 9 | 13 | 30 | 19 | 20 | 22 | 34 |
| T16 EU 17 | | 16 | G3/8" | 15 | 20 | 32 | 22 | 25 | 25 | 40 |
| T16 EU 21 | | 16 | G1/2" | 15 | 20 | 32 | 22 | 25 | 25 | 45 |
| T6 EU 10 | | 6 | M10x1 | 6 | 9 | 22 | 11 | 17 | 18 | 24 |
| T6 EU 14 | | 6 | M14x1.5 | 6 | 9 | 26 | 14 | 19 | 20 | 25 |
| T9 EU 10 | | 9 | M10x1 | 9 | 13 | 26 | 14 | 25 | 26 | 30 |
| T9 EU 14 | | 9 | M14x1.5 | 9 | 13 | 26 | 14 | 25 | 26 | 30 |

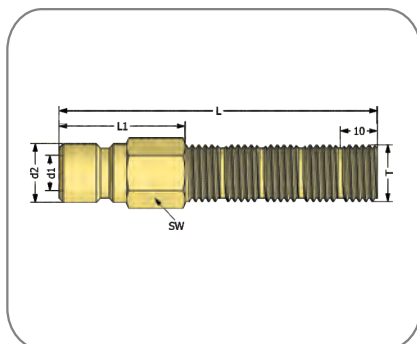
Shut-off Male threaded plug
Verschlussnippel mit
Aussengewinde


| Order No / Bestell Nr. | | Serie | R | d1 | d2 | d3 | SW | L1 | L max | L |
|------------------------|-------------------|-------|---------|----|----|----|----|----|-------|----|
| BSPT | NPT | | | | | | | | | |
| T6 EN 13 V | T6 TU 13 V | 6 | 1/4" | 6 | 9 | 28 | 14 | 19 | 21 | 29 |
| T6 EN 17 V | T6 TU 17 V | 6 | 3/8" | 6 | 9 | 30 | 17 | 21 | 21 | 29 |
| T6 EN 13 V | T6 TU 13 V | 6 | 1/4" | 9 | 13 | 28 | 14 | 25 | 21 | 33 |
| T6 EN 17 V | T6 TU 17 V | 6 | 3/8" | 9 | 13 | 30 | 17 | 26 | 21 | 33 |
| T6 EN 21 V | T6 TU 21 V | 6 | 1/2" | 9 | 13 | 32 | 22 | 26 | 28 | 37 |
| T6 EN 21 V | T6 TU 21 V | 6 | 1/2" | 15 | 20 | 32 | 22 | 28 | 28 | 50 |
| T6 EN 21 V | T6 TU 21 V | 6 | 3/4" | 15 | 20 | 38 | 27 | 32 | 32 | 50 |
| Order No / Bestell Nr. | | Serie | R | d1 | d2 | d3 | SW | L1 | L max | L |
| T6 ENM 14 V | | | | | | | | | | |
| T9 ENM 14 V | | 9 | M14x1.5 | 9 | 13 | 28 | 14 | 25 | 21 | 34 |

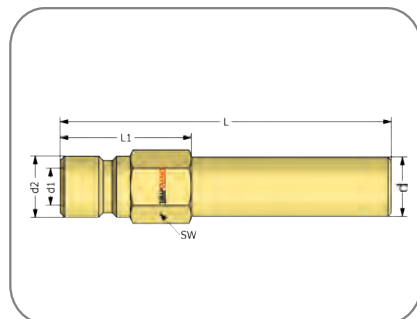
Plug with female thread
Nippel mit Innengewinde


| Order No / Bestell Nr. | | Serie | T | d1 | d2 | L | SW |
|------------------------|------------------|-------|------|----|----|----|----|
| BSPT | NPT | | | | | | |
| T6 DU 10 | T6 NU 10 | 6 | 1/8" | 6 | 9 | 26 | 13 |
| T6 DU 13 | T6 NU 13 | 6 | 1/4" | 6 | 9 | 32 | 16 |
| T6 DU 17 | T6 NU 17 | 6 | 3/8" | 6 | 9 | 32 | 19 |
| T9 DU 10 | T9 NU 10 | 9 | 1/8" | 9 | 13 | 29 | 14 |
| T9 DU 13 | T9 NU 13 | 9 | 1/4" | 9 | 13 | 37 | 16 |
| T9 DU 17 | T9 NU 17 | 9 | 3/8" | 9 | 13 | 39 | 19 |
| T9 DU 21 | T9 NU 21 | 9 | 1/2" | 9 | 13 | 40 | 24 |
| T16 DU 17 | T16 NU 17 | 16 | 3/8" | 15 | 20 | 32 | 21 |
| T16 DU 21 | T16 NU 21 | 16 | 1/2" | 15 | 20 | 35 | 24 |

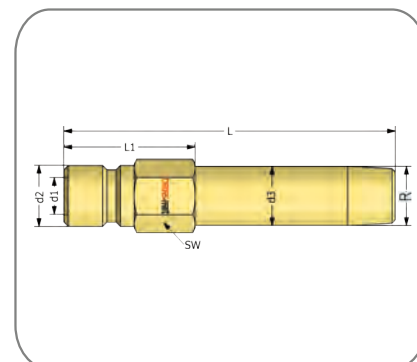
USA System


Long Threaded Plugs
Gewindestecker


| Order No / Bestell Nr. | T | d1 | d2 | SW | L | L1 |
|------------------------|----------|----|------|----|-----|----|
| T6 BLM 10x100 | M10x1 | 6 | 9.4 | 11 | 100 | 40 |
| T6 BL 10x100 | G 1/8" | 6 | 9.4 | 11 | 100 | 40 |
| T6 BL 13x100 | G 1/4" | 6 | 9.4 | 14 | 100 | 40 |
| T6 BLM 14x100 | M 14x1.5 | 6 | 9.4 | 14 | 100 | 40 |
| T6 BL 17x100 | G 3/8" | 6 | 9.4 | 17 | 100 | 40 |
| T9 BLM 10x100 | M 10x1 | 9 | 13.5 | 14 | 100 | 40 |
| T9 BL 10x100 | G 1/8" | 9 | 13.5 | 14 | 100 | 40 |
| T9 BL 13x100 | G 1/4" | 9 | 13.5 | 14 | 100 | 40 |
| T9 BLM 14x100 | M14x1.5 | 9 | 13.5 | 14 | 100 | 40 |
| T9 BLM 16x100 | M16x1.5 | 9 | 13.5 | 17 | 100 | 40 |
| T9 BL 17x100 | G 3/8" | 9 | 13.5 | 17 | 100 | 40 |

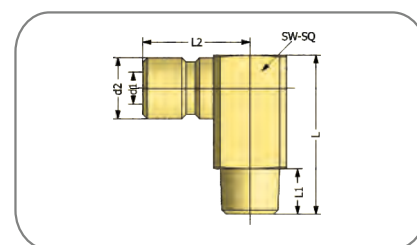
Extension plug without thread
Verlängerungsnippel ohne Gewinde


| Order No / Bestell Nr. | d | d1 | d2 | SW | L | L1 |
|------------------------|----|----|-----|----|-----|----|
| T6 BN 63 | 10 | 6 | 9.4 | 11 | 63 | 17 |
| T6 BN 100 | 10 | 6 | 9.4 | 11 | 100 | 17 |
| T6 BN 120 | 10 | 6 | 9.4 | 11 | 120 | 17 |
| T6 BN 240 | 10 | 6 | 9.4 | 11 | 240 | 17 |
| T6 BN 360 | 10 | 6 | 9.4 | 11 | 360 | 17 |
| T9 BN 150 | 14 | 9 | 13 | 15 | 150 | 23 |
| T9 BN 300 | 14 | 9 | 13 | 15 | 300 | 23 |
| T9 BN 450 | 14 | 9 | 13 | 15 | 450 | 23 |
| T16 BN 500 | 21 | 15 | 20 | 22 | 500 | 30 |
| T16 BN 800 | 21 | 15 | 20 | 22 | 800 | 30 |

Extension plug
Verlängerungsnippel


| Order No / Bestell Nr. | | R | SW | d1 | d2 | d3 | L50 | L100 | L150 | L200 | L250 |
|------------------------|-------------------|------|----|----|----|----|-----|------|------|------|------|
| BSPT | NPT | | | | | | | | | | |
| T6 EN 10xL | T6 TU 10xL | 1/8" | 11 | 6 | 9 | 10 | 50 | 100 | 150 | 200 | 250 |
| T6 EN 13xL | T6 TU 13xL | 1/4" | 14 | 6 | 9 | 14 | 50 | 100 | 150 | 200 | 250 |
| T6 EN 17xL | T6 TU 17xL | 3/8" | 17 | 6 | 9 | 17 | 50 | 100 | 150 | 200 | 250 |
| T9 EN 13xL | T9 TU 13xL | 1/4" | 15 | 9 | 13 | 14 | 50 | 100 | 150 | 200 | 250 |
| T9 EN 17xL | T9 TU 17xL | 3/8" | 17 | 9 | 13 | 17 | 50 | 100 | 150 | 200 | 250 |

| Order No / Bestell Nr. | R | SW | d1 | d2 | d3 | L50 | L100 | L150 | L200 | L250 |
|------------------------|---------|----|----|----|----|-----|------|------|------|------|
| T6 ENM 10xL | M10x1 | 11 | 10 | 9 | 6 | 50 | 100 | 150 | 200 | 250 |
| T6 ENM 14xL | M14x1.5 | 15 | 14 | 9 | 6 | 50 | 100 | 150 | 200 | 250 |
| T9 ENM 14xL | M14x1.5 | 15 | 14 | 13 | 9 | 50 | 100 | 150 | 200 | 250 |

Angle plug with 90°
Winkelknippel mit 90°


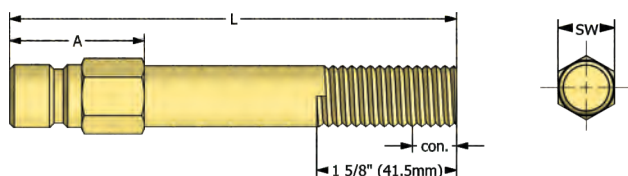
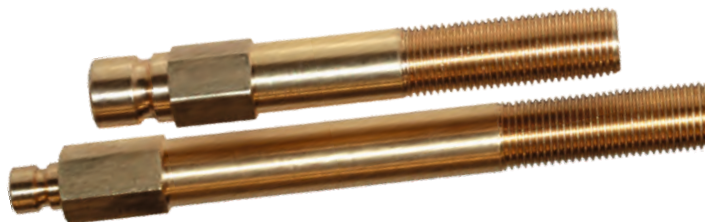
| Order No / Bestell Nr. | R | d1 | d2 | L | L1 | L2 | SW/SQ |
|------------------------|-----------|----|----|----|----|----|-------|
| T6 EN 10 - 90 | BSPT 1/8" | 6 | 9 | 27 | 9 | 23 | 11 |
| T6 ENM 10 - 90 | M 10x1 | 6 | 9 | 27 | 9 | 23 | 11 |
| T6 EN 13 - 90 | BSPT 1/4" | 6 | 9 | 34 | 12 | 24 | 15 |
| T6 EN 14 - 90 | M14x1.5 | 6 | 9 | 34 | 12 | 24 | 15 |
| T6 EN 17 - 90 | BSPT 3/8" | 6 | 9 | 34 | 12 | 24 | 17 |
| T9 EN 13 - 90 | BSPT 1/4" | 9 | 13 | 34 | 12 | 24 | 15 |
| T9 EN 17 - 90 | BSPT 3/8" | 9 | 13 | 34 | 12 | 24 | 17 |

USA System



Extension Plugs with tapered and long parallel thread
 The largest complete thread on the standard NPT or BSPT taper is continued along the extension plug for the 1 5/8" (41.5mm) shown below easy adjustments if needed.

Verlängerungsrippel mit Außengewinde konisch
 Die erste Gewindestufe der konisch ausgeführten Nippel ermöglicht einen sehr flexiblen Einsatzbereich.



| Serie & Thread | Order No / Bestell Nr. | | A | | L | |
|-------------------------|------------------------|--------------------|------|-------|-------|-------|
| | NPT | BSPT | mm | inch. | mm | inch. |
| 9 1/8" | T9 NL10x63 | T9 RL10x63 | 22.2 | 7/8" | 63.5 | 2.5" |
| | T9 NL10x101 | T9 RL10x101 | 25.4 | 1" | 101.6 | 4" |
| | T9 NL10x140 | T9 RL10x140 | 25.4 | 1" | 140 | 5.5" |
| | T9 NL10x178 | T9 RL10x178 | 25.4 | 1" | 178 | 7" |
| | T9 NL10x216 | T9 RL10x216 | 25.4 | 1" | 216 | 8.5" |
| | T9 NL10x254 | T9 RL10x254 | 25.4 | 1" | 254 | 10" |
| | T9 NL10x292 | T9 RL10x292 | 25.4 | 1" | 292 | 11.5" |
| | T9 NL10x330 | T9 RL10x330 | 25.4 | 1" | 330 | 13" |

| Serie & Thread | Order No / Bestell Nr. | | A | | L | |
|-------------------------|------------------------|--------------------|------|--------|-------|-------|
| | NPT | BSPT | mm | inch. | mm | inch. |
| 6 1/8" | T6 NL10x63 | T6 RL10x63 | 22.2 | 11/16" | 63.5 | 2.5" |
| | T6 NL10x101 | T6 RL10x101 | 25.4 | 1" | 101.6 | 4" |
| | T6 NL10x140 | T6 RL10x140 | 25.4 | 1" | 140 | 5.5" |
| | T6 NL10x178 | T6 RL10x178 | 25.4 | 1" | 178 | 7" |
| | T6 NL10x216 | T6 RL10x216 | 25.4 | 1" | 216 | 8.5" |
| | T6 NL10x254 | T6 RL10x254 | 25.4 | 1" | 254 | 10" |
| | T6 NL10x292 | T6 RL10x292 | 25.4 | 1" | 292 | 11.5" |
| | T6 NL10x330 | T6 RL10x330 | 25.4 | 1" | 330 | 13" |

| Serie & Thread | Order No / Bestell Nr. | | A | | L | |
|-------------------------|------------------------|--------------------|------|-------|-------|-------|
| | NPT | BSPT | mm | inch. | mm | inch. |
| 9 1/4" | T9 NL13x63 | T9 RL13x63 | 22.2 | 7/8" | 63.5 | 2.5" |
| | T9 NL13x101 | T9 RL13x101 | 31.7 | 1.25" | 101.6 | 4" |
| | T9 NL13x140 | T9 RL13x140 | 31.7 | 1.25" | 140 | 5.5" |
| | T9 NL13x178 | T9 RL13x178 | 31.7 | 1.25" | 178 | 7" |
| | T9 NL13x216 | T9 RL13x216 | 31.7 | 1.25" | 216 | 8.5" |
| | T9 NL13x254 | T9 RL13x254 | 31.7 | 1.25" | 254 | 10" |
| | T9 NL13x292 | T9 RL13x292 | 31.7 | 1.25" | 292 | 11.5" |
| | T9 NL13x330 | T9 RL13x330 | 31.7 | 1.25" | 330 | 13" |

| Serie & Thread | Order No / Bestell Nr. | | A | | L | |
|-------------------------|------------------------|--------------------|------|-------|-------|-------|
| | NPT | BSPT | mm | inch. | mm | inch. |
| 6 1/4" | T6 NL13x63 | T6 RL13x63 | 22.2 | 7/8" | 63.5 | 2.5" |
| | T6 NL13x101 | T6 RL13x101 | 31.7 | 1.25" | 101.6 | 4" |
| | T6 NL13x140 | T6 RL13x140 | 31.7 | 1.25" | 140 | 5.5" |
| | T6 NL13x178 | T6 RL13x178 | 31.7 | 1.25" | 178 | 7" |
| | T6 NL13x216 | T6 RL13x216 | 31.7 | 1.25" | 216 | 8.5" |
| | T6 NL13x254 | T6 RL13x254 | 31.7 | 1.25" | 254 | 10" |
| | T6 NL13x292 | T6 RL13x292 | 31.7 | 1.25" | 292 | 11.5" |
| | T6 NL13x330 | T6 RL13x330 | 31.7 | 1.25" | 330 | 13" |

| Serie & Thread | Order No / Bestell Nr. | | A | | L | |
|-------------------------|------------------------|--------------------|------|-------|-------|-------|
| | NPT | BSPT | mm | inch. | mm | inch. |
| 9 3/8" | T9 NL17x63 | T9 RL17x63 | 25.4 | 1" | 63.5 | 2.5" |
| | T9 NL17x101 | T9 RL17x101 | 31.7 | 1.25" | 101.6 | 4" |
| | T9 NL17x140 | T9 RL17x140 | 31.7 | 1.25" | 140 | 5.5" |
| | T9 NL17x178 | T9 RL17x178 | 31.7 | 1.25" | 178 | 7" |
| | T9 NL17x216 | T9 RL17x216 | 31.7 | 1.25" | 216 | 8.5" |
| | T9 NL17x254 | T9 RL17x254 | 31.7 | 1.25" | 254 | 10" |
| | T9 NL17x292 | T9 RL17x292 | 31.7 | 1.25" | 292 | 11.5" |
| | T9 NL17x330 | T9 RL17x330 | 31.7 | 1.25" | 330 | 13" |

| Serie & Thread | Order No / Bestell Nr. | | A | | L | |
|-------------------------|------------------------|--------------------|------|-------|-------|-------|
| | NPT | BSPT | mm | inch. | mm | inch. |
| 6 3/8" | T6 NL17x63 | T6 RL17x63 | 25.4 | 1" | 63.5 | 2.5" |
| | T6 NL17x101 | T6 RL17x101 | 31.7 | 1.25" | 101.6 | 4" |
| | T6 NL17x140 | T6 RL17x140 | 31.7 | 1.25" | 140 | 5.5" |
| | T6 NL17x178 | T6 RL17x178 | 31.7 | 1.25" | 178 | 7" |
| | T6 NL17x216 | T6 RL17x216 | 31.7 | 1.25" | 216 | 8.5" |
| | T6 NL17x254 | T6 RL17x254 | 31.7 | 1.25" | 254 | 10" |
| | T6 NL17x292 | T6 RL17x292 | 31.7 | 1.25" | 292 | 11.5" |
| | T6 NL17x330 | T6 RL17x330 | 31.7 | 1.25" | 330 | 13" |

| Serie & Thread | Order No / Bestell Nr. | | A | | L | |
|-------------------------|------------------------|--------------------|------|-------|-------|-------|
| | NPT | BSPT | mm | inch. | mm | inch. |
| 9 1/2" | T9 NL21x63 | T9 RL21x63 | 25.4 | 1" | 63.5 | 2.5" |
| | T9 NL21x101 | T9 RL21x101 | 31.7 | 1.25" | 101.6 | 4" |
| | T9 NL21x140 | T9 RL21x140 | 31.7 | 1.25" | 140 | 5.5" |
| | T9 NL21x178 | T9 RL21x178 | 31.7 | 1.25" | 178 | 7" |
| | T9 NL21x216 | T9 RL21x216 | 31.7 | 1.25" | 216 | 8.5" |
| | T9 NL21x254 | T9 RL21x254 | 31.7 | 1.25" | 254 | 10" |
| | T9 NL21x292 | T9 RL21x292 | 31.7 | 1.25" | 292 | 11.5" |
| | T9 NL21x330 | T9 RL21x330 | 31.7 | 1.25" | 330 | 13" |

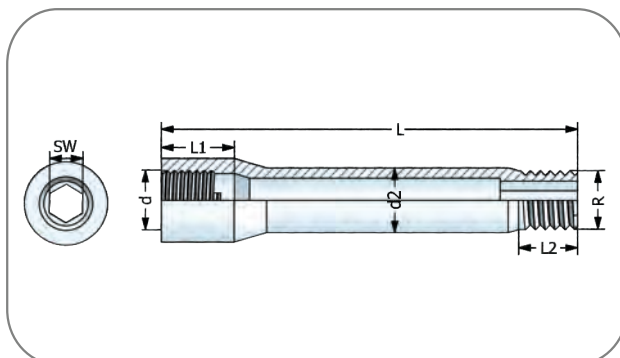
| Serie & Thread | Order No / Bestell Nr. | | A | | L | |
|--------------------------|------------------------|---------------------|------|-------|-------|-------|
| | NPT | BSPT | mm | inch. | mm | inch. |
| 16 3/8" | T16 NL21x63 | T16 RL21x63 | 28.5 | 1.25" | 63.5 | 2.5" |
| | T16 NL21x101 | T16 RL21x101 | 35 | 1.5" | 101.6 | 4" |
| | T16 NL21x140 | T16 RL21x140 | 35 | 1.5" | 140 | 5.5" |
| | T16 NL21x178 | T16 RL21x178 | 35 | 1.5" | 178 | 7" |
| | T16 NL21x216 | T16 RL21x216 | 35 | 1.5" | 216 | 8.5" |
| | T16 NL21x254 | T16 RL21x254 | 35 | 1.5" | 254 | 10" |
| | T16 NL21x292 | T16 RL21x292 | 35 | 1.5" | 292 | 11.5" |
| | T16 NL21x330 | T16 RL21x330 | 35 | 1.5" | 330 | 13" |

| Serie & Thread | Order No / Bestell Nr. | | A | | L | |
|--------------------------|------------------------|---------------------|------|-------|-------|-------|
| | NPT | BSPT | mm | inch. | mm | inch. |
| 16 1/2" | T16 NL21x63 | T16 RL21x63 | 28.5 | 1.25" | 63.5 | 2.5" |
| | T16 NL21x101 | T16 RL21x101 | 38 | 1.5" | 101.6 | 4" |
| | T16 NL21x140 | T16 RL21x140 | 38 | 1.5" | 140 | 5.5" |
| | T16 NL21x178 | T16 RL21x178 | 38 | 1.5" | 178 | 7" |
| | T16 NL21x216 | T16 RL21x216 | 38 | 1.5" | 216 | 8.5" |
| | T16 NL21x254 | T16 RL21x254 | 38 | 1.5" | 254 | 10" |
| | T16 NL21x292 | T16 RL21x292 | 38 | 1.5" | 292 | 11.5" |
| | T16 NL21x330 | T16 RL21x330 | 38 | 1.5" | 330 | 13" |

USA System

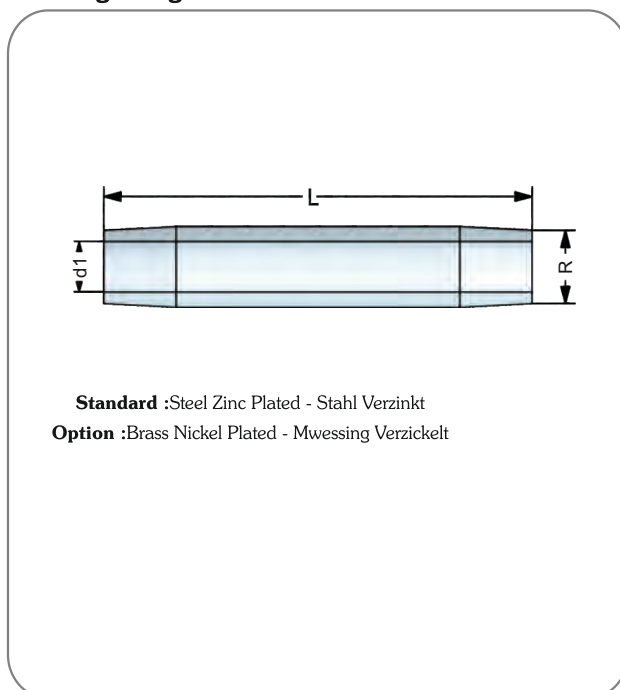


Steel Extension Tube Verlängerungsrohr aus Stahl




| Order No / Bestell Nr. | | d | R | d2 | L | L1 | L2 | SW |
|------------------------|--------------|------|------|----|-----|----|----|----|
| BSP / BSPT | NPT / NPT | | | | | | | |
| TR 10 BU 50 | TN 10 BU 50 | 1/8" | 1/8" | 10 | 50 | 12 | 10 | 5 |
| TR 10 BU 75 | TN 10 BU 75 | 1/8" | 1/8" | 10 | 75 | 12 | 10 | 5 |
| TR 10 BU 100 | TN 10 BU 100 | 1/8" | 1/8" | 10 | 100 | 12 | 10 | 5 |
| TR 10 BU 125 | TN 10 BU 125 | 1/8" | 1/8" | 10 | 125 | 12 | 10 | 5 |
| TR 13 BU 50 | TN 13 BU 50 | 1/4" | 1/4" | 14 | 50 | 12 | 10 | 8 |
| TR 13 BU 75 | TN 13 BU 75 | 1/4" | 1/4" | 14 | 75 | 12 | 10 | 8 |
| TR 13 BU 100 | TN 13 BU 100 | 1/4" | 1/4" | 14 | 100 | 12 | 10 | 8 |
| TR 13 BU 125 | TN 13 BU 125 | 1/4" | 1/4" | 14 | 125 | 12 | 10 | 8 |
| TR 13 BU 150 | TN 13 BU 150 | 1/4" | 1/4" | 14 | 150 | 12 | 10 | 8 |

Extension tube Verlängerungsrohr




| Order No / Bestell Nr. | | R | d | d1 | L |
|------------------------|-------------|------|----|----|-----|
| BSPT | NPT | | | | |
| T6 BU 50 | T6 NBU 50 | 1/8" | 10 | 6 | 50 |
| T6 BU 100 | T6 NBU 100 | 1/8" | 10 | 6 | 100 |
| T6 BU 150 | T6 NBU 150 | 1/8" | 10 | 6 | 150 |
| T6 BU 200 | T6 NBU 200 | 1/8" | 10 | 6 | 200 |
| T6 BU 250 | T6 NBU 250 | 1/8" | 14 | 6 | 250 |
| T9 BU 50 | T9 NBU 50 | 1/4" | 14 | 9 | 50 |
| T9 BU 100 | T9 NBU 100 | 1/4" | 14 | 9 | 100 |
| T9 BU 150 | T9 NBU 150 | 1/4" | 14 | 9 | 150 |
| T9 BU 200 | T9 NBU 200 | 1/4" | 14 | 9 | 200 |
| T9 BU 250 | T9 NBU 250 | 1/4" | 14 | 9 | 250 |
| T12 BU 100 | T12 NBU 100 | 3/8" | 17 | 13 | 100 |
| T12 BU 150 | T12 NBU 150 | 3/8" | 17 | 13 | 150 |
| T12 BU 200 | T12 NBU 200 | 3/8" | 17 | 13 | 200 |
| T12 BU 250 | T12 NBU 250 | 3/8" | 17 | 13 | 250 |
| T16 BU 100 | T16 NBU 100 | 1/2" | 22 | 16 | 100 |
| T16 BU 150 | T16 NBU 150 | 1/2" | 22 | 16 | 150 |
| T16 BU 200 | T16 NBU 200 | 1/2" | 22 | 16 | 200 |
| T16 BU 250 | T16 NBU 250 | 1/2" | 22 | 16 | 250 |

Spare seal / Ersatz O-Ring (NBR +100°C)

| Order No Bestell Nr. | Serie | Temperature |
|---|----------|-----------------|
|  | CG T6 N | N 6 |
| | CG T9 N | N 9 |
| | CG T16 N | N 16 |
| | | -10° / 100° C |
| | | -4° F / +212° F |

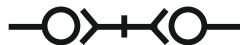
Spare seal / Ersatz O-Ring (Viton V)

| Order No Bestell Nr. | Serie | Temperature |
|--|----------|------------------|
|  | CG T6 V | N 6 |
| | CG T9 V | N 9 |
| | CG T16 V | N 16 |
| | | -20° / 200° C |
| | | +14° F / +392° F |

USA System

T100.08B

With Valve / mit Ventil



Serie :T100.08B = 8.3 mm

T100.12B

With Valve / mit Ventil



Serie :T100.12B = 13 mm

The Tekno-met 100 is quick to operate, reliable and designed for one hand operations.

Die Schnellkupplungen der Serie 100 sind schnell und einfach zu kuppeln.

Please add
B - for Blue
R - for Red at the end of the order number for identification of the right colour.

**Using Area :**

- On mould temperature control connections lines of plastic, zamak, and aluminium injection press.
- On hot oil lines connection
- On hot, cold or chilled water circuits.

These new couplers (with valve) have been designed according to industrial requirements and patented for Tekno-met. This new product works perfectly with full flow nipples and valved nipples.

You will be able to have clean working area by the help of this coupling and its valve system.

As we have described below connection variety permits great flexible working conditions.

Coupling with valve / Full flow nipple
Coupling with valve / Nipple with valve
Full flow coupling / Nipple with valve
Full flow coupling / Full flow nipple

Coloured Ring for coupling in this new system you can easily recognise the fluid is hot or cold. Furthermore; before the connection you can quickly select, which one is having hot or cold fluid inside. This excellent system avoids perfectly the wrong connection possibility in the plant.

Nutzungsbereich :

- Thermische Regulierung von Spritzgussformen für Kunststoff, Zinkdruckguß sowie Aluminiumformen
- Wasseranschlüsse für Heissöleleitungen
- Warme oder kalte Wasserkreisläufe

Diese neuen Kupplungen sind entsprechend industriellen Erfordernissen gestaltet und für Tekno-met patentiert worden.

Dieses neue Produkt arbeitet perfekt mit oder ohne Ventil. Sie werden in der Lage sein, sauberen aktiven Bereich mit der Hilfe von diesen Kupplungen und dem neuen Ventilsystem zu haben.

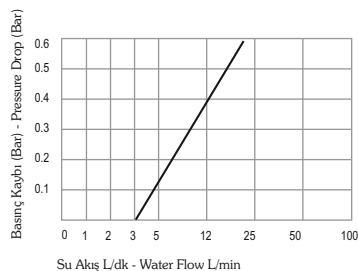
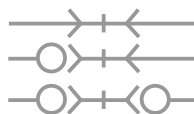
Wie wir unterhalb beschrieben haben, Verbindungsvielfalt erlaubt grosse, flexible Arbeitsbedingungen.

Kupplung mit Ventil / Nippel ohne Ventil
Kupplung mit Ventil / Nippel mit Ventil
Kupplung ohne Ventil / Nippel ohne Ventil
Kupplung mit Ventil / Nippel mit Ventil

Heiz und Kühlkreisläufe können schnell und einfach durchrote oder blaue Kragen gekennzeichnet werden. (Der Kragen kann direkt an die Kupplungen oder die Verlängerungen angebracht werden)

USA System

T100.06



NW : 6
 Max. Pressure / Betriebsdruck (Bar) : 10
 Working Tem. / Temperaturbereich : -15 / + 100 °C



Serie T100 is quick to operate, reliable and designed for one hand operations.

According to internal diameter there are 3 different sizes of serie T100 couplers.

Die Schnellkupplungen der Serie 100 sind schnell und einfach zu koppeln.

Sie sind für Einhandbetrieb entwickelt
 Es sind 3 Nennweiten erhältlich:

Serie :T100.06 = 6 mm
 Serie :T100.08 = 8.3 mm
 Serie :T100.12 = 13 mm

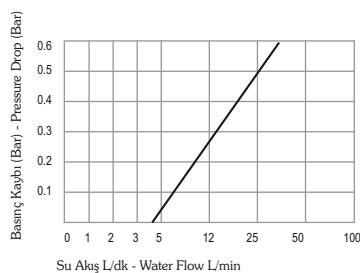
T100.08

**Using Area :**

- On mould temperature control connections lines of plastic, zamak, and aluminium injection press.
- On hot oil lines connection
- On hot, cold or chilled water circuits.

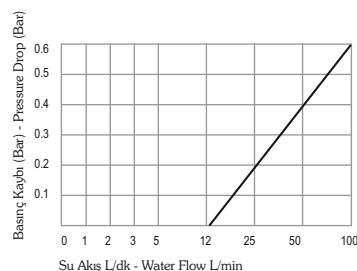
Nutzungsbereich :

- Thermische Regulierung von Spritzgussformen für Kunststoff, Zinkdruckguß sowie Aluminiumformen
- Wasseranschlüsse für Heissölleitungen
- Warme oder kalte Wasserkreisläufe



NW : 8.3
 Max. Pressure / Betriebsdruck (Bar) : 10
 Working Tem. / Temperaturbereich : -15 / + 100 °C

T100.12



NW : 13
 Max. Pressure / Betriebsdruck (Bar) : 10
 Working Tem. / Temperaturbereich : -15 / + 100 °C



USA System



Interchangeability-Kompatibilität

Temperature Range-Temperaturbereich
-20°C +100°C (-40°F +250°F)

Working Pressure / Betriebsdruck
0 - 10 bar (0 - 160 PSI)

Flow capacity - Größen
NW : 6

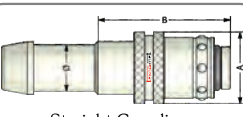
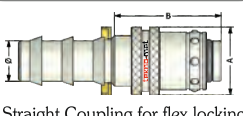
Standard version - Standardversion
Brass - Messing
NBR Nitrile (Ni)
Nickel plated - Vernickelt
Locking balls 6 units - 6 Stück Kugeln!

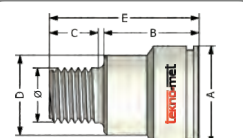
Options - Optionen
V - FPM Seal - FPM Dichtung
E - EPDM Seal - EPDM Dichtung

Material - Material

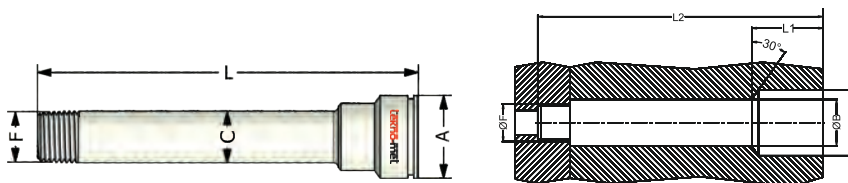
Coupler Body -
Kupplungsgrundkörper : Brass Nickel Plated - Messing Vernickelt
Sleeve - Hülse
: Brass Nickel Plated - Messing Vernickelt
Springs - Federn
Locking O-Ring - Sprengring : Stainless Steel - Edelstahl
Balls - Kugeln : Stainless Steel - Edelstahl
Seals - Dichtungen : NBR Nitrile (Ni)
Plug - Nippel
: Brass Nickel Plated - Messing Vernickelt

For optional orders please add the symbol of your option end of the order no.
Für optionale Bestellungen das Kennbuchstabe und Bestell-Nr bitte hinzufügen (Beispiel: T100.06.HG06V)

| Couplers and Plugs Kupplung und Nippel | Ø Connection / Anschlüsse | | Order No - Bestell Nr. | Assembling Sizes / Dimension für die Montage | |
|--|------------------------------|-------|------------------------|--|------|
| | | | | A | B |
|  Straight Coupling Gerade Kupplung | Ø 6 mm | 1/4" | T100.06 HG 06 | 17 | 32.5 |
| | Ø 8 mm | 5/16" | T100.06 HG 08 | 17 | 32.5 |
|  Straight Coupling for flex locking Kupplungen ohne Schlauchklemmen | Ø 6 mm | 1/4" | T100.06 FG 06 | 17 | 32.5 |
| | Ø 8 mm | 5/16" | T100.06 FG 08 | 17 | 32.5 |

| Couplers and Plugs Kupplung und Nippel | Ø Connection Anschlüsse | Order No - Bestellnr. Without Collar / Ohne Ring | Assembling Sizes / Dimension für die Montage | | | | | Allen SW |
|--|-------------------------------|---|--|------|----|----|------|-------------|
| | | | A | B | C | D | E | |
|  Male Threaded Plug Nippel mit Außengewinde | BSPT 1/8" | T100.06 RU10 | 17 | 18.5 | 10 | 14 | 28.5 | 6 |
| | BSPT 1/4" | T100.06 RU13 | 17 | 18.5 | 12 | 14 | 30.5 | 6 |
| | NPT 1/8" | T100.06 TU10 | 17 | 18.5 | 10 | 14 | 28.5 | 1/4" |
| | NPT 1/4" | T100.06 TU13 | 17 | 18.5 | 12 | 14 | 30.5 | 1/4" |
| | M10x1 | T100.06 EUM10-1 | 17 | 18.5 | 10 | 14 | 28.5 | 6 |

Extension (conical threaded version BSPT-NPT)
Verlängerungsnippel (Konisches Gewinde BSPT-NPT)



| Serie | F Thread Gewinde | L min./max. | Order No - Bestell Nr. Without Collar / Ohne Ring | Assembling Sizes / Dimension für die Montage | | | | | Allen SW | Torque (m.daN) | |
|--------|------------------------|----------------|--|--|-------|----|------|----|-------------|-------------------|----|
| | | | | L1 | L2 | ØA | ØA1 | ØB | | | ØC |
| 100.06 | R1/8" | 33/100 | T100-06-100-R10 | 20 | L-5.5 | 17 | 18.5 | 11 | 10.2 | 6 | 1 |
| 100.06 | NPT1/8" | 33/100 | T100-06-100-T10 | 20 | L-5.5 | 17 | 18.5 | 11 | 10.2 | 1/4" | 1 |
| 100.06 | M10x1 | 33/100 | T100-06-100-M10 | 20 | L-5.5 | 17 | 18.5 | 11 | 10.2 | 6 | 1 |

USA System

20% High Flow



Interchangeability-Kompatibilität

Temperature Range-Temperaturbereich
-20°C +100°C (-40°F +250°F)

Working Pressure / Betriebsdruck
0 - 10 bar (0 - 160 PSI)

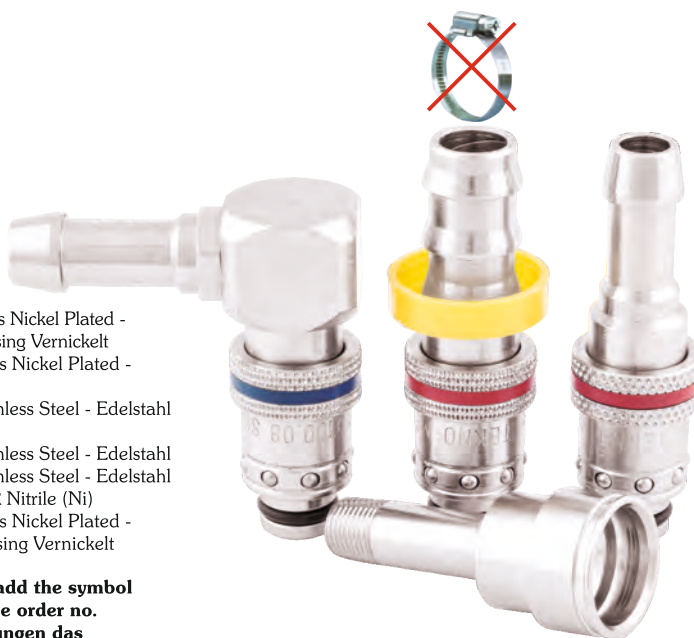
Flow capacity - Größen
NW : 8.3

Standard version - Standardversion
Brass - Messing
NBR Nitrile (Ni)
Nickel plated - Vernickelt
Locking balls 9 units -9 Kugeln

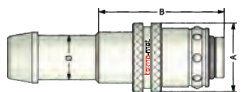
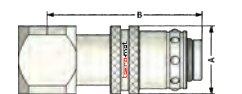
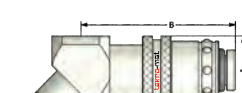
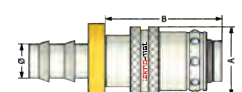
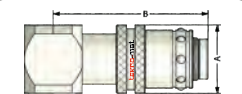
Options - Optionen
B - Blue - Blau
R - Red - Rot
V - FPM Seal - FPM Dichtung
E - EPDM Seal - EPDM Dichtung

Material - Material

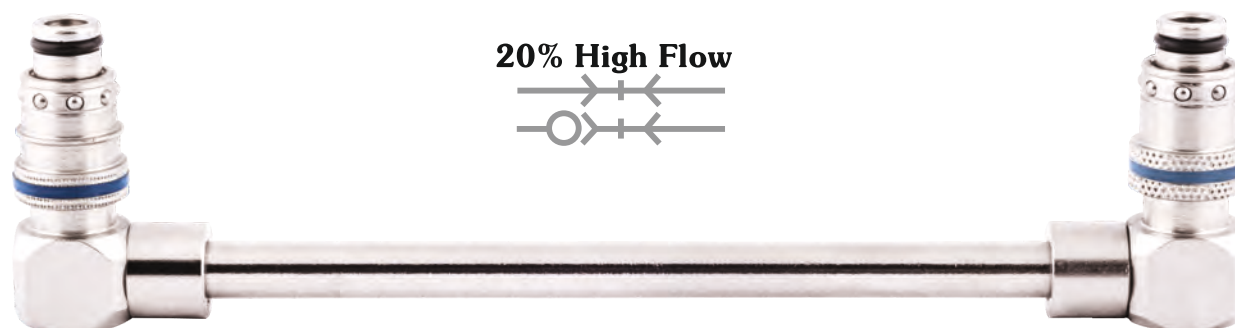
Coupler Body -
Kupplungsgrundkörper : Brass Nickel Plated -
Messing Vernickelt
Sleeve - Hülse : Brass Nickel Plated -
Messing Vernickelt
Springs - Federn : Stainless Steel - Edelstahl
Locking O-Ring -
Sprengring : Stainless Steel - Edelstahl
Balls - Kugeln : Stainless Steel - Edelstahl
Seals - Dichtungen : NBR Nitrile (Ni)
Plug - Nippel : Brass Nickel Plated -
Messing Vernickelt

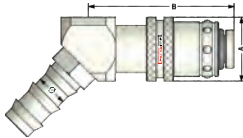
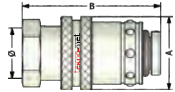
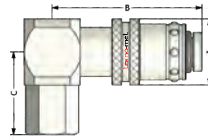
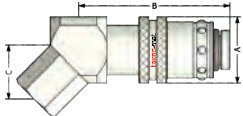


For optional orders please add the symbol of your option end of the order no.
Für optionale Bestellungen das Kennbuchstabe und Bestell-Nr bitte.
hinzufügen (Beispiel: T100.08.HG08V)

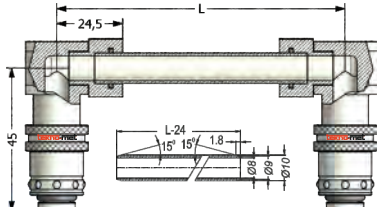

| Couplers Kupplungen | Ø Connection / Anschlüsse | Order No - Bestell Nr. | Assembling Sizes / Dimension für die Montage | | |
|--|------------------------------|------------------------|--|----|------|
| | | | A | B | C |
|  Straight Coupling Gerade Kupplungen | Ø 6 mm | 1/4" | T100.08 HG 06 | 20 | 37.5 |
| | Ø 8 mm | 5/16" | T100.08 HG 08 | 20 | 37.5 |
| | Ø 10 mm | 3/8" | T100.08 HG 10 | 20 | 37.5 |
| | Ø 12 mm | 15/32" | T100.08 HG 12 | 20 | 37.5 |
| | Ø 13 mm | 1/2" | T100.08 HG 13 | 20 | 37.5 |
|  90° Coupling 90° Kupplungen | Ø 6 mm | 1/4" | T100.08 HG 06-90° | 20 | 45.5 |
| | Ø 8 mm | 5/16" | T100.08 HG 08-90° | 20 | 45.5 |
| | Ø 10 mm | 3/8" | T100.08 HG 10-90° | 20 | 45.5 |
| | Ø 12 mm | 15/32" | T100.08 HG 12-90° | 20 | 45.5 |
| | Ø 13 mm | 1/2" | T100.08 HG 13-90° | 20 | 45.5 |
|  135° Coupling 135° Kupplungen | Ø 6 mm | 1/4" | T100.08 HG 06-135° | 20 | 47.5 |
| | Ø 8 mm | 5/16" | T100.08 HG 08-135° | 20 | 47.5 |
| | Ø 10 mm | 3/8" | T100.08 HG 10-135° | 20 | 47.5 |
| | Ø 12 mm | 15/32" | T100.08 HG 12-135° | 20 | 47.5 |
| | Ø 13 mm | 1/2" | T100.08 HG 13-135° | 20 | 47.5 |
|  Straight Coupling for Flex locking Kupplungen ohne Schlauchklemmen | Ø 10 mm | 3/8" | T100.08 FG 10 | 20 | 37 |
| | Ø 13 mm | 1/2" | T100.08 FG 13 | 20 | 40 |
|  90° Coupling for Flex locking 90° Kupplungen ohne Schlauchklemmen | Ø 10 mm | 3/8" | T100.08 FG 10-90° | 20 | 45.5 |
| | Ø 13 mm | 1/2" | T100.08 FG 13-90° | 20 | 45.5 |

USA System



| Couplers Kupplungen | Ø Connection / Anschlüsse | Order No - Bestell Nr. | Assembling Sizes / Dimension für die Montage | | | |
|--|------------------------------|------------------------|--|----|------|----|
| | | | A | B | C | |
|  135° Coupling for Flex locking 135° Kupplungen ohne Schlauchklemmen | Ø 10 mm | 3/8" | T100.08 FG 10-135° | 20 | 47.5 | |
| | Ø 13 mm | 1/2" | T100.08 FG 13-135° | 20 | 47.5 | |
|  Female Threaded Coupling Kupplungen mit Innengewinde | BSP 1/4" | | T100.08 DG 13 | 20 | 43 | |
| | BSP 3/8" | | T100.08 DG 17 | 20 | 52 | |
| | NPT 1/4" | | T100.08 NG 13 | 20 | 43 | |
| | NPT 3/8" | | T100.08 NG 17 | 20 | 52 | |
|  90° Female Threaded Coupling 90° Kupplungen mit Innengewinde | BSP 1/4" | | T100.08 DG 13-90° | 20 | 45.5 | 24 |
| | BSP 3/8" | | T100.08 DG 17-90° | 20 | 45.5 | 24 |
| | NPT 1/4" | | T100.08 NG 13-90° | 20 | 45.5 | 27 |
| | NPT 3/8" | | T100.08 NG 17-90° | 20 | 45.5 | 27 |
|  135° Female Threaded Coupling 135° Kupplungen mit Innengewinde | BSP 1/4" | | T100.08 DG 13-135° | 20 | 47.5 | 17 |
| | BSP 3/8" | | T100.08 DG 17-135° | 20 | 47.5 | 17 |
| | NPT 1/4" | | T100.08 NG 13-135° | 20 | 47.5 | 20 |
| | NPT 3/8" | | T100.08 NG 17-135° | 20 | 47.5 | 20 |

Diverting connector / Umlenkkuplung (For / Für TST 100.08)

| | | | | |
|---|---|-------------------------|-----------|--------|
|  Brass Tube PB 10x1 / Messingrohr PB 10x1 |  T100.08 KG 00 | Order No - Bestellnr. | L | L - 24 |
| | | T100.08 - KG 125 | 125 | 101 |
| | | T100.08 - KG 250 | 250 | 226 |
| | | T100.08 - KG 500 | 500 | 476 |
| | | Brass Tube PB 8x1 | Opsiyonel | |
| | | Brass Tube PB 10x1 | Opsiyonel | |
| | | Brass Tube PB 14x1 | Opsiyonel | |

USA System

Interchangeability-Kompatibilität
Große Hersteller
unsere Produktserie (6-8-12) kompatibel.
Large manufacturers
our product series (6-8-12) compatible.

Temperature Range-Temperaturbereich
-20°C +100°C (-40°F +250°F)

Working Pressure / Betriebsdruck
0 - 10 bar (0 - 160 PSI)

Flow capacity - Größen
NW : 8.3

Standard version - Standardversion
Brass - Messing
NBR Nitrile (Ni)
Nickel plated - Vernickelt
Locking balls 9 units -9 Kugeln

Options - Optionen
B - Blue - Blau
R - Red - Rot
V - FPM Seal - FPM Dichtung
E - EPDM Seal - EPDM Dichtung

20% High Flow

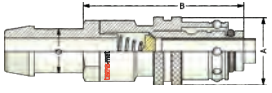
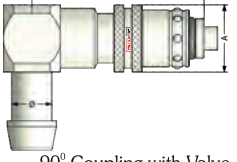
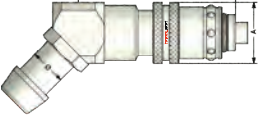
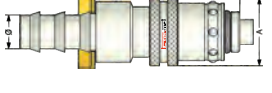


Material - Material

- Coupler Body - Kupplungsgrundkörper : Brass Nickel Plated - Messing Vernickelt
- Sleeve - Hülse : Brass Nickel Plated - Messing Vernickelt
- Springs - Federn : Stainless Steel - Edelstahl
- Locking O-Ring - Sprengling : Stainless Steel - Edelstahl
- Balls - Kugeln : Stainless Steel - Edelstahl
- Seals - Dichtungen : NBR Nitrile (Ni)
- Plug - Nippel : Brass Nickel Plated - Messing Vernickelt



For optional orders please add the symbol of your option end of the order no.
Für optionale Bestellungen das Kennbuchstabe und Bestell-Nr bitte.
hinzufügen (Beispiel: T100.08.HG08V)

| Couplers Kupplungen | Ø Connection / Anschlüsse | Order No - Bestell Nr. | Assembling Sizes / Dimension für die Montage | | |
|---|------------------------------|------------------------|--|----|----|
| | | | A | B | C |
|  Coupling with Valve Kupplungen mit Ventil | Ø 6 mm | 1/4" | T100.08 HGB 06 | 20 | 59 |
| | Ø 8 mm | 5/16" | T100.08 HGB 08 | 20 | 59 |
| | Ø 10 mm | 3/8" | T100.08 HGB 10 | 20 | 59 |
| | Ø 12 mm | 15/32" | T100.08 HGB 12 | 20 | 59 |
| | Ø 13 mm | 1/2" | T100.08 HGB 13 | 20 | 59 |
|  90° Coupling with Valve 90° Kupplungen mit Ventil | Ø 6 mm | 1/4" | T100-08 HGB 06-90° | 20 | 64 |
| | Ø 8 mm | 5/16" | T100.08 HGB 08-90° | 20 | 64 |
| | Ø 10 mm | 3/8" | T100.08 HGB 10-90° | 20 | 64 |
| | Ø 12 mm | 15/32" | T100.08 HGB 12-90° | 20 | 64 |
| | Ø 13 mm | 1/2" | T100.08 HGB 13-90° | 20 | 64 |
|  135° Coupling with Valve 135° Kupplungen mit Ventil | Ø 6 mm | 1/4" | T100-08 HGB 06-135° | 20 | 64 |
| | Ø 8 mm | 5/16" | T100.08 HGB 08-135° | 20 | 64 |
| | Ø 10 mm | 3/8" | T100.08 HGB 10-135° | 20 | 64 |
| | Ø 12 mm | 15/32" | T100.08 HGB 12-135° | 20 | 64 |
| | Ø 13 mm | 1/2" | T100.08 HGB 13-135° | 20 | 64 |
|  Flex locking Coupling with Valve Kupplungen ohne Schlauchklemmen mit Ventil | Ø 10 mm | 3/8" | T100.08 FGB 10 | 20 | 59 |
| | Ø 13 mm | 1/2" | T100.08 FGB 13 | 20 | 59 |

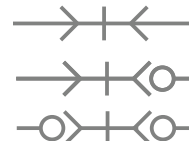


| Couplers Kupplungen | Ø Connection / Anschlüsse | Order No - Bestell Nr. | Assembling Sizes / Dimension für die Montage | | | |
|--|------------------------------|------------------------|--|----|----|----|
| | | | A | B | C | |
|  <p>90° Flex locking Coupling with Valve 90° Kupplungen ohne Schlauchklappen mit Ventil</p> | Ø 10 mm | 3/8" | T100.08 FGB 10-90° | 20 | 64 | |
| | Ø 13 mm | 1/2" | T100.08 FGB 13-90° | 20 | 64 | |
|  <p>135° Flex locking Coupling with Valve 135° Kupplungen ohne Schlauchklappen mit Ventil</p> | Ø 10 mm | 3/8" | T100.08 FGB 10-135° | 20 | 64 | |
| | Ø 13 mm | 1/2" | T100.08 FGB 13-135° | 20 | 64 | |
|  <p>Female Threaded Coupling with Valve Kupplungen mit Innengewinde Ventil</p> | BSP 1/4" | | T100.08 DGB 13 | 20 | 57 | |
| | BSP 3/8" | | T100.08 DGB 17 | 20 | 57 | |
| | NPT 1/4" | | T100.08 NGB 13 | 20 | 60 | |
| | NPT 3/8" | | T100.08 NGB 17 | 20 | 60 | |
|  <p>90° Female Threaded Coupling with Valve Kupplungen mit 90° Innengewinde Ventil</p> | BSP 1/4" | | T100.08 DGB 13-90° | 20 | 54 | 24 |
| | BSP 3/8" | | T100.08 DGB 17-90° | 20 | 54 | 24 |
| | NPT 1/4" | | T100.08 NGB 13-90° | 20 | 54 | 27 |
| | NPT 3/8" | | T100.08 NGB 17-90° | 20 | 54 | 27 |
|  <p>135° Female Threaded Coupling with Valve Kupplungen mit 135° Innengewinde Ventil</p> | BSP 1/4" | | T100.08 DGB 13-135° | 20 | 54 | 17 |
| | BSP 3/8" | | T100.08 DGB 17-135° | 20 | 54 | 17 |
| | NPT 1/4" | | T100.08 NGB 13-135° | 20 | 54 | 20 |
| | NPT 3/8" | | T100.08 NGB 17-135° | 20 | 54 | 20 |

FRENCH System



20% High Flow



Temperature Range-Temperaturbereich
-20°C +100°C (-40°F +250°F)

Working Pressure / Betriebsdruck

0 - 10 bar (0 - 160 PSI)

Flow capacity - Größen

NW : 8.3

Standard version - Standardversion

Brass Messing

Nitrile NBR (Ni)

Nickel plated - Vernickelt

Locking balls 9 units

Options- Optionen

B - Blue / Blau

R - Red / Rot

V - FPM Seal / FPM Dichtung

E - EPDM Seal / EPDM Dichtung

Material - Material

Body - Kupplung

Coupler Body-

Kupplungsgrundkörper : Brass Nickel Plated -

Messing Vernickelt

Sleeve - Hülse

: Brass Nickel Plated -

Messing Vernickelt

Springs - Federn

: Stainless Steel -

Edelstahl

Locking O-Ring-

Sprengring

: Stainless Steel -

Edelstahl

Balls - Kugeln

: Stainless Steel -

Edelstahl AISI 420

Seals - Dichtungen

: Nitrite NBR (Ni) -

NBR (Ni)

Plug - Nippel

: Brass Nickel Plated -

Messing Vernickelt

Safety typ Couplers / Kupplung Sicherheitstpe

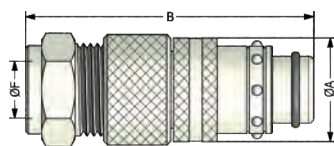
Order No / Bestell Nr.

ØA

B

ØF

SW



Safety Female Coupler

Kupplung mit Innengewinde Sicherheitstpe

T100.08 DG 13/EM

21

60

BSP 1/4"

19

T100.12 DG 21/EM

27

75

BSP 1/2"

27

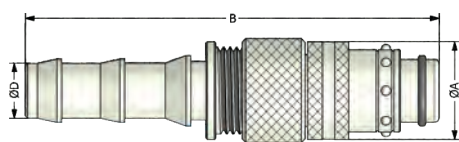
Safety typ Couplers / Kupplung Sicherheitstpe

Order No / Bestell Nr.

ØA

B

ØD



Safety Hose Coupler

Kupplung mit Sicherheitstpe Schlauchtülle

T100.08 HGF 10/EM

21

80

10

T100.08 HGF 13/EM

21

80

13

T100.12 HGF 13/EM

27

96

13

T100.12 HGF 16/EM

27

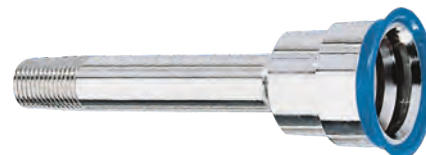
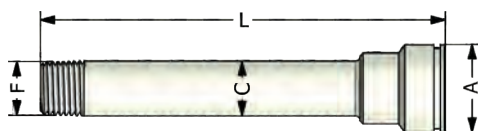
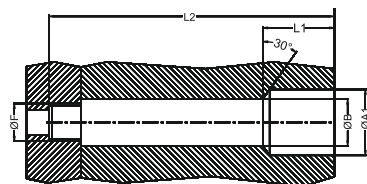
96

16

FRENCH System

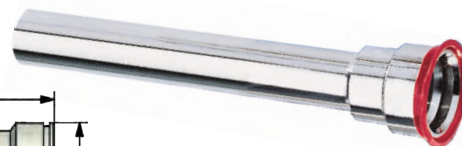
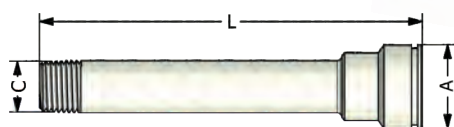
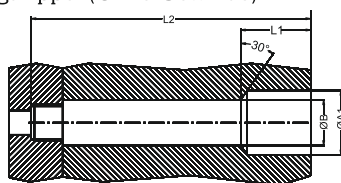
Extension (conical threaded version BSPT-NPT)
Verlängerungsbuchse (konsches Gewinde BSPT-NPT)

20% High Flow



| Serie | F Thread Gewinde | L min./max. | Order No - Bestell Nr. Without Collar / Ohne Ring | Dimension in / Dimensionen in (mm) | | | | | | Allen SW | Torque (m/daN) |
|-------------------------|------------------------|----------------|--|------------------------------------|-------|----|-----|----|------|-------------|-------------------|
| | | | | L1 | L2 | ØA | ØA1 | ØB | ØC | | |
| T100.08 BSPT | R1/8" | 33/100 | T100.08-100.R10 | 23 | L-5.5 | 21 | 22 | 11 | 10.2 | 6 | 1 |
| | R1/8" | 100/150 | T100.08-150.R10 | 23 | L-5.5 | 21 | 22 | 11 | 10.2 | 6 | 1 |
| | R1/8" | 150/200 | T100.08-200.R10 | 23 | L-5.5 | 21 | 22 | 11 | 10.2 | 6 | 1 |
| | R1/8" | 200/250 | T100.08-250.R10 | 23 | L-5.5 | 21 | 22 | 11 | 10.2 | 6 | 1 |
| T100.08 NPT | NPT1/8" | 33/100 | T100.08-100.T10 | 23 | L-5.5 | 21 | 22 | 11 | 10.2 | 1/4" | 1 |
| | NPT1/8" | 100/150 | T100.08-150.T10 | 23 | L-5.5 | 21 | 22 | 11 | 10.2 | 1/4" | 1 |
| | NPT1/8" | 150/200 | T100.08-200.T10 | 23 | L-5.5 | 21 | 22 | 11 | 10.2 | 1/4" | 1 |
| | NPT1/8" | 200/250 | T100.08-250.T10 | 23 | L-5.5 | 21 | 22 | 11 | 10.2 | 1/4" | 1 |
| T100.08 BSPT | R1/4" | 33/100 | T100.08-100.R13 | 23 | L-7.5 | 21 | 22 | 14 | 13.5 | 8 | 3 |
| | R1/4" | 100/150 | T100.08-150.R13 | 23 | L-7.5 | 21 | 22 | 14 | 13.5 | 8 | 3 |
| | R1/4" | 150/200 | T100.08-200.R13 | 23 | L-7.5 | 21 | 22 | 14 | 13.5 | 8 | 3 |
| | R1/4" | 200/250 | T100.08-250.R13 | 23 | L-7.5 | 21 | 22 | 14 | 13.5 | 8 | 3 |
| T100.08 NPT | NPT1/4" | 33/100 | T100.08-100.T13 | 23 | L-7.5 | 21 | 22 | 14 | 13.5 | 5/16" | 3 |
| | NPT1/4" | 100/150 | T100.08-150.T13 | 23 | L-7.5 | 21 | 22 | 14 | 13.5 | 5/16" | 3 |
| | NPT1/4" | 150/200 | T100.08-200.T13 | 23 | L-7.5 | 21 | 22 | 14 | 13.5 | 5/16" | 3 |
| | NPT1/4" | 200/250 | T100.08-250.T13 | 23 | L-7.5 | 21 | 22 | 14 | 13.5 | 5/16" | 3 |

Extension Plug (Smooth version)
Verlängerungsnippel (Ohne Gewinde)



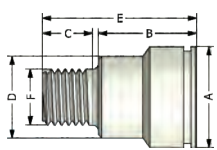
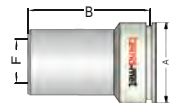
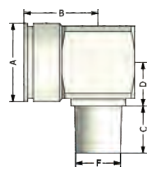
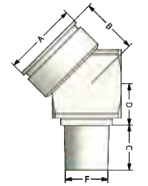
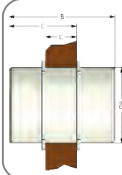
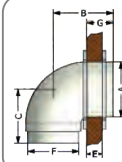
| Serie | ØC | L | Order No - Bestell Nr. Without Collar / Ohne Ring | Dimension in / Dimensionen in (mm) | | | | | Allen SW |
|----------------|------|-----|--|------------------------------------|-------|----|-----|----|-------------|
| | | | | L1 | L2 | ØA | ØA1 | ØB | |
| T100.08 | 10.2 | 50 | T100.08-10.BU50 | 23 | L-5.5 | 21 | 22 | 11 | 6 |
| | 10.2 | 100 | T100.08-10.BU100 | 23 | L-5.5 | 21 | 22 | 11 | 6 |
| | 10.2 | 150 | T100.08-10.BU150 | 23 | L-5.5 | 21 | 22 | 11 | 6 |
| | 10.2 | 200 | T100.08-10.BU200 | 23 | L-5.5 | 21 | 22 | 11 | 6 |
| T100.08 | 13.5 | 50 | T100.08-13.BU50 | 23 | L-7.5 | 21 | 22 | 14 | 8 |
| | 13.5 | 100 | T100.08-13.BU100 | 23 | L-7.5 | 21 | 22 | 14 | 8 |
| | 13.5 | 150 | T100.08-13.BU150 | 23 | L-7.5 | 21 | 22 | 14 | 8 |
| | 13.5 | 200 | T100.08-13.BU200 | 23 | L-7.5 | 21 | 22 | 14 | 8 |
| | 13.5 | 250 | T100.08-13.BU250 | 23 | L-7.5 | 21 | 22 | 14 | 8 |

FRENCH System



20% High Flow



| Plugs Nippel | Ø Connection Anschlüsse | Order No - Bestell Nr. Without Collar / Ohne Ring | Dimension in / Dimensionen in (mm) | | | | | |
|--|-------------------------------|--|------------------------------------|----|------|------|----|----------|
| | | | A | B | C | D | E | SW |
|  <p>Male Threaded Plug Nippel mit Außengewinde</p> | R 1/8" | T100.08 RU10 | 21 | 21 | 8 | 17.5 | 31 | 6 |
| | R 1/4" | T100.08 RU13 | 21 | 21 | 10 | 17.5 | 33 | 8 |
| | R 3/8" | T100.08 RU17 | 21 | 11 | 11 | 17.5 | 24 | 8 |
| | NPT 1/8" | T100.08 TU10 | 21 | 21 | 7 | 17.5 | 31 | 1/4" |
| | NPT 1/4" | T100.08 TU13 | 21 | 21 | 11 | 17.5 | 33 | 5/16" |
| | NPT 3/8" | T100.08 TU17 | 21 | 11 | 11 | 17.5 | 24 | 5/16" |
| | M10x1 | T100.08 EUM10-1 | 21 | 21 | 10 | 17.5 | 31 | 6 |
| M10x1.5 | T100.08 EUM10 | 21 | 21 | 20 | 17.5 | 31 | 6 | |
| M14x1.5 | T100.08 EUM14 | 21 | 21 | 11 | 17.5 | 31 | 8 | |
|  <p>Female Threaded Plug Nippel mit Innengewinde</p> | BSP 1/8" | T100.08 DU10 | 21 | 39 | | | | 8 |
| | BSP 1/4" | T100.08 DU13 | 21 | 39 | | | | 8 |
| | NPT 1/8" | T100.08 NU10 | 21 | 39 | | | | 5/16" |
| | NPT 1/4" | T100.08 NU13 | 21 | 39 | | | | 5/16" |
|  <p>90° Male Threaded Plug 90° Nippel mit Außengewinde</p> | R 1/8" | T100.08 RU10-90° | 21 | 33 | 24 | 10 | 32 | 20 |
| | R 1/4" | T100.08 RU13-90° | 21 | 33 | 24 | 12 | 33 | 20 |
| | R 3/8" | T100.08 RU17-90° | 21 | 33 | 24 | 13 | 24 | 20 |
| | NPT 1/4" | T100.08 TU13-90° | 21 | 21 | 11 | 14 | 33 | 20 |
|  <p>135° Male Threaded Plug 135° Nippel mit Außengewinde</p> | R 1/8" | T100.08 EU10-135° | 21 | 33 | 24 | | | 20 |
| | R 1/4" | T100.08 EU13-135° | 21 | 33 | 24 | | | 20 |
| | R 3/8" | T100.08 EU17-135° | 21 | 33 | 24 | | | 20 |
| | NPT 1/4" | T100.08 TU13-135° | 21 | 21 | 11 | | | 20 |
|  <p>Through the wall straight connector Gerader Anschluß durch die Wand</p> | | T100.08 PU.00 | 22 | 35 | 23 | | | 10 max. |
|  <p>Through the wall 90° connector 90° Anschluß durch die Wand</p> | G 1/4" | T100.08 PU.13-90° | 22 | 22 | 21 | | | 6.5 max. |

FRENCH System

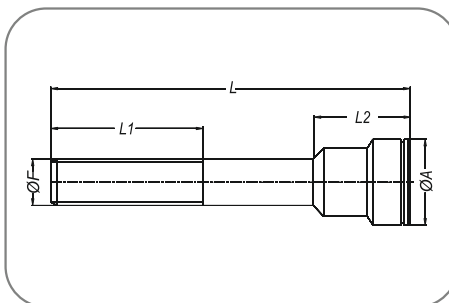


Extension (cylindrical BSP threaded version)
Verlängerungsbochse (zylindsches-BSP Gewinde)

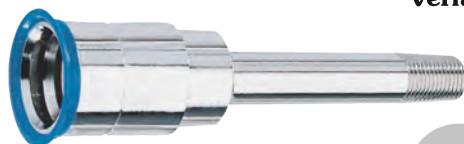
20% High Flow



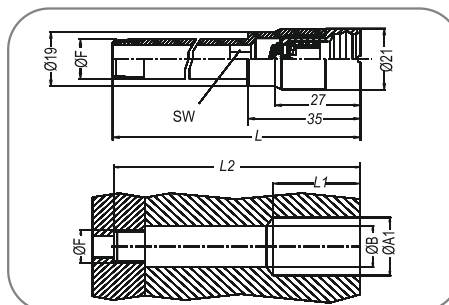
| Serie | F Thread Gewinde | L min./max. | Order No - Bestell Nr. Without Collar / Ohne Ring | Dimension in / Dimensionen in (mm) | | | Alen SW |
|----------------|------------------------|----------------|--|------------------------------------|----|----|------------|
| | | | | L1 | L2 | ØA | |
| T100.08 | BSP1/8" | 50 | T100.08-50.RF10 | 26 | 21 | 21 | 6 |
| | BSP1/8" | 100 | T100.08-100.RF10 | 60 | 21 | 21 | 6 |
| | BSP1/8" | 150 | T100.08-150.RF10 | 60 | 21 | 21 | 6 |
| T100.08 | BSP1/4" | 50 | T100.08-50.RF13 | 6.5 | 21 | 21 | 8 |
| | BSP1/4" | 100 | T100.08-100.RF13 | 60 | 21 | 21 | 8 |
| | BSP1/4" | 150 | T100.08-150.RF13 | 60 | 21 | 21 | 8 |
| | BSP1/4" | 200 | T100.08-200.RF13 | 60 | 21 | 21 | 8 |



Male Threaded Extension Shut-off Plugs
Verlängerungsbochse mit Aussengewinde und Ventil



| Serie | F Thread Gewinde | L min./max. | Order No - Bestell Nr. Without Collar/Ohne Ring | Dimension in / Dimensionen in (mm) | | | Alen SW |
|---------------|------------------------|----------------|--|------------------------------------|-------|----|------------|
| | | | | L1 | L2 | ØA | |
| 100.08 | BSP1/8" | 50 | T100.08-50.RUB10 | 32 | L-5.5 | 22 | 6 |
| | BSP1/8" | 100 | T100.08-100.RUB10 | 32 | L-5.5 | 22 | 6 |
| | BSP1/8" | 150 | T100.08-150.RUB10 | 32 | L-5.5 | 22 | 6 |
| 100.08 | BSP1/4" | 50 | T100.08-50.RUB13 | 32 | L-5.5 | 22 | 6 |
| | BSP1/4" | 100 | T100.08-100.RUB13 | 32 | L-5.5 | 22 | 6 |
| | BSP1/4" | 150 | T100.08-150.RUB13 | 32 | L-5.5 | 22 | 6 |
| | BSP1/4" | 200 | T100.08-200.RUB13 | 32 | L-5.5 | 22 | 6 |



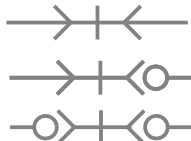
Male Threaded Extension Shut-off Plugs(T100.08)
Verlängerungsbochse mit Aussengewinde und Ventil (T100.08)



| Connection Anschlüsse | Order No - Bestell Nr. Without Collar/Ohne Ring | Dimension in Dimensionen in (mm) | | |
|--|--|-------------------------------------|----|------|
| | | ØA | L | |
| <p>Male thread Nippel with valve Nippel mit Außengewinde</p> | 1/4" | T100.08 EUB13 | 21 | 36 |
| <p>Male thread Nippel with valve Nippel mit Außengewinde</p> | 3/8" | T100.08 EUB17 | 21 | 28,5 |
| <p>HEX. 6 Assembling apparatus Montagemittel</p> | T100.08 EUB00 | | | |

FRENCH System

20% High Flow



Interchangeability-Kompatibilität

Temperature Range-Temperaturbereich
-20°C +100°C (-40°F +250°F)Working Pressure / Betriebsdruck
0 - 10 bar (0 - 160 PSI)Flow capacity - Größen
NW : 13Standard version - Standardversion
Brass - Messing
NBR - Nickerle (Ni)
Nickel plated - Vernickelt
Locking balls 9 units - 9 Stück Kugeln

Options - Optionen

B - Blue - Blau

R - Red - Rot

V - FPM Seal - FPM Dichtung

E - EPDM Seal - EPDM Dichtung

Material - Material

Coupler Body -
Kupplungsgrundkörper : Brass Nickel Plated -
Messing Vernickelt

Sleeve - Hülse : Brass Nickel Plated -
Messing Vernickelt
Stainless Steel - Edelstahl

Springs - Federn
Locking O-Ring -
Sprengling : Stainless Steel - Edelstahl

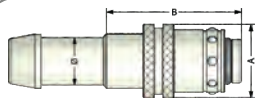
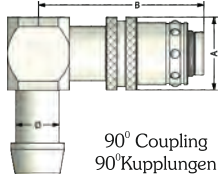
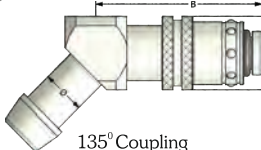
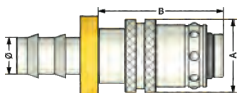
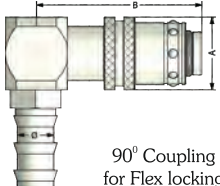
Balls - Kugeln : Stainless Steel - Edelstahl

Seals - Dichtungen : NBR Nitrile (Ni)

Plug - Nippel : Brass Nickel Plated -
Messing Vernickelt



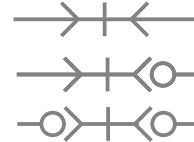
For optional orders please add the symbol
of your option end of the order no.
Optionsbestellungen Kennbuchstabe
bitte hinzufügen (Beispiel: T100.08.HG08V)

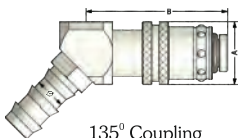
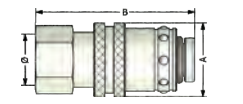
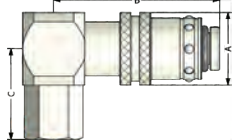
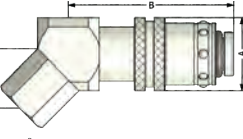
| Couplers and Plugs Kupplung und Nippel | Ø F / Ø I Connection / Anschlüsse | | Order No - Bestell Nr. | Dimension in / Dimensionen in (mm) | |
|---|--------------------------------------|------|---------------------------|------------------------------------|----|
| | | | | A | B |
|  Straight Coupling Gerade Kupplungen | Ø 13 mm | 1/2" | T100.12 HG 13 | 28 | 44 |
| | Ø 16 mm | 5/8" | T100.12 HG 16 | 28 | 44 |
|  90° Coupling 90° Kupplungen | Ø 13 mm | 1/2" | T100.12 HG 13-90° | 28 | 54 |
| | Ø 16 mm | 5/8" | T100.12 HG 16-90° | 28 | 54 |
|  135° Coupling 135° Kupplungen | Ø 13 mm | 1/2" | T100.12 HG 13-135° | 28 | 54 |
| | Ø 16 mm | 5/8" | T100.12 HG 16-135° | 28 | 54 |
|  Straight Coupling for Flex locking Kupplungen ohne Schlauchklemmen | Ø 13 mm | 1/2" | T100.12 FG 13 | 28 | 44 |
| | Ø 16 mm | 5/8" | T100.12 FG 16 | 28 | 44 |
|  90° Coupling for Flex locking 90° Kupplungen ohne Schlauchklemmen | Ø 13 mm | 1/2" | T100.12 FG 13-90° | 28 | 54 |
| | Ø 16 mm | 5/8" | T100.12 FG 16-90° | 28 | 54 |

FRENCH System

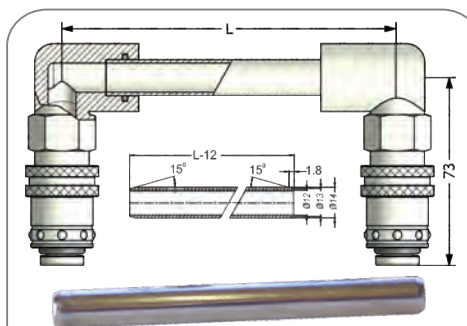


20% High Flow



| Couplers and Plugs Kupplung und Nippel | Ø F / Ø I Connection / Anschlüsse | | Order No - Bestell Nr. | Assembling Sizes / Dimension für die Montage | | |
|---|--------------------------------------|------|---------------------------|--|----|--------|
| | | | | A | B | C / SW |
|  135° Coupling for Flex locking 135° Kupplungen ohne Schlauchklemmen | Ø 13 mm | 1/2" | T100.12 FG 13-135° | 28 | 54 | |
| | Ø 16 mm | 5/8" | T100.12 FG 16-135° | 28 | 54 | |
|  Female Threaded Coupling Kupplungen mit Innengewinde | BSP | 1/2" | T100.12 DG 21 | 28 | 60 | 24 |
| | NPT | 1/2" | T100.12 NG 21 | 28 | 62 | 24 |
| | BSP | 3/4" | T100.12 DG 26 | 28 | 70 | 35 |
| | NPT | 3/4" | T100.12 NG 26 | 28 | 70 | 35 |
|  90° Female Threaded Coupling 90° Kupplungen mit Innengewinde | BSP | 3/8" | T100.12 DG 17-90° | 28 | 54 | 29 |
| | NPT | 3/8" | T100.12 NG 17-90° | 28 | 54 | 29 |
| | BSP | 1/2" | T100.12 DG 21-90° | 28 | 54 | 35 |
| | NPT | 1/2" | T100.12 NG 21-90° | 28 | 54 | 35 |
|  135° Female Threaded Coupling 135° Kupplungen mit Innengewinde | BSP | 3/8" | T100.12 DG 17-135° | 28 | 54 | 10 |
| | NPT | 3/8" | T100.12 NG 17-135° | 28 | 54 | 10 |
| | BSP | 1/2" | T100.12 DG 21-135° | 28 | 54 | 16 |
| | NPT | 1/2" | T100.12 NG 21-135° | 28 | 54 | 16 |

Diverting connector / Umlenkkupplung (For / Für TST 100.12)



Brass Tube PB 14x1 / Messingrohr PB 10x1



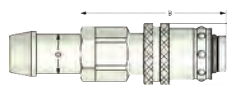
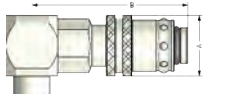
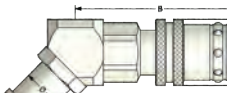
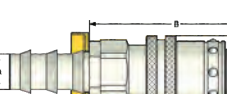
T100.12 KG 00

| Order No - Bestell Nr. | L | L - 24 |
|------------------------|-----|--------|
| 100.12 - KG125 | 125 | 90 |
| 100.12 - KG250 | 250 | 250 |
| 100.12 - KG500 | 500 | 470 |

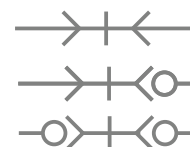
FRENCH System

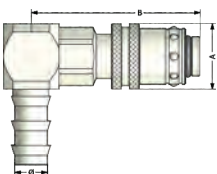
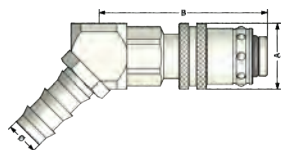
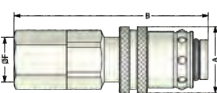
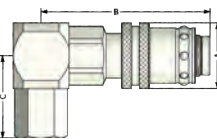
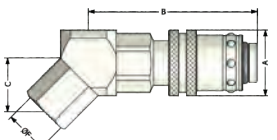
Interchangeability-Kompatibilität

Temperature Range-Temperaturbereich
-20°C +100°C (-40°F +250°F)Working Pressure / Betriebsdruck
0 - 10 bar (0 - 160 PSI)Flow capacity - Größen
NW : 13Standard version - Standardversion
Brass - Messing
NBR - Nickerle (Ni)
Nickel plated - Vernickelt
Locking balls 9 units - 9 Stück KugelnOptions - Optionen
B - Blue - Blau
R - Red - Rot
V - FPM Seal - FPM Dichtung
E - EPDM Seal - EPDM Dichtung**Material - Material**Coupler Body -
Kupplungsgrundkörper : Brass Nickel Plated -
Messing Vernickelt
Sleeve - Hülse : Brass Nickel Plated -
Messing Vernickelt
Springs - Federn : Stainless Steel - Edelstahl
Locking O-Ring -
Sprengling : Stainless Steel - Edelstahl
Balls - Kugeln : Stainless Steel - Edelstahl
Seals - Dichtungen : NBR Nitrile (Ni)
Plug - Nippel : Brass Nickel Plated -
Messing Vernickelt**20% High Flow**For optional orders please add the symbol
of your option end of the order no.
Optionsbestellungen Kennbuchstabe
bitte hinzufügen (Beispiel: T100.12.HGB10V)

| Couplers and Plugs Kupplung und Nippel | Ø F / Ø i Connection / Anschlüsse | | Order No - Bestell Nr. | Assembling Sizes / Dimension für die Montage | | |
|--|--------------------------------------|------|----------------------------|--|----|---|
| | | | | A | B | C |
|  Coupling with Valve Kupplungen mit Ventil | Ø 13 mm | 1/2" | T100.12 HGB 13 | 28 | 65 | |
| | Ø 16 mm | 5/8" | T100.12 HGB 16 | 28 | 65 | |
|  90° Coupling with Valve 90° Kupplungen mit Ventil | Ø 13 mm | 1/2" | T100.12 HGB 13-90° | 28 | 70 | |
| | Ø 16 mm | 5/8" | T100.12 HGB 16-90° | 28 | 70 | |
|  135° Coupling with Valve 135° Kupplungen mit Ventil | Ø 13 mm | 1/2" | T100.12 HGB 13-135° | 28 | 70 | |
| | Ø 16 mm | 5/8" | T100.12 HGB 16-135° | 28 | 70 | |
|  Flex locking Coupling with Valve Kupplungen ohne Schlauchklemmen mit Ventil | Ø 13 mm | 1/2" | T100.12 FGB 13 | 28 | 65 | |
| | Ø 16 mm | 5/8" | T100.12 FGB 16 | 28 | 65 | |

FRENCH System

**20% High Flow**

| Couplers and Plugs Kupplung und Nippel | Ø F / Ø i Connection / Anschlüsse | | Order No - Bestell Nr. | Assembling Sizes / Dimension für die Montage | | |
|---|--------------------------------------|------|----------------------------|--|----|----|
| | | | | A | B | C |
|  90° Flex locking Coupling with Valve 90° Kupplungen ohne Schlauchklemmen mit Ventil | Ø 13 mm | 1/2" | T100.12 FGB 13-90° | 28 | 70 | |
| | Ø 16 mm | 5/8" | T100.12 FGB 16-90° | 28 | 70 | |
|  135° Flex locking Coupling with Valve 135° Kupplungen ohne Schlauchklemmen mit Ventil | Ø 13 mm | 3/8" | T100.12 FGB 13-135° | 28 | 70 | |
| | Ø 16 mm | 1/2" | T100.12 FGB 16-135° | 28 | 70 | |
|  Female Threaded Coupling with Valve Kupplungen mit Innengewinde mit Ventil | BSP | 1/2" | T100.12 DGB 21 | 28 | 80 | |
| | NPT | 1/2" | T100.12 NGB 21 | 28 | 80 | |
|  90° Female Threaded Coupling with Valve Kupplungen mit 90° Innengewinde mit Ventil | BSP | 3/8" | T100.12 DGB 17-90° | 28 | 70 | 29 |
| | NPT | 3/8" | T100.12 NGB 17-90° | 28 | 70 | 29 |
| | BSP | 1/2" | T100.12 DGB 21-90° | 28 | 70 | 35 |
| | NPT | 1/2" | T100.12 NGB 21-90° | 28 | 70 | 35 |
|  135° Female Threaded Coupling with Valve Kupplungen mit 135° Kinnengewinde mit Ventil | BSP | 3/8" | T100.12 DGB 17-135° | 28 | 54 | 10 |
| | NPT | 3/8" | T100.12 NGB 17-135° | 28 | 54 | 10 |
| | BSP | 1/2" | T100.12 DGB 21-135° | 28 | 54 | 16 |
| | NPT | 1/2" | T100.12 NGB 21-135° | 28 | 54 | 16 |

FRENCH System

20% High Flow

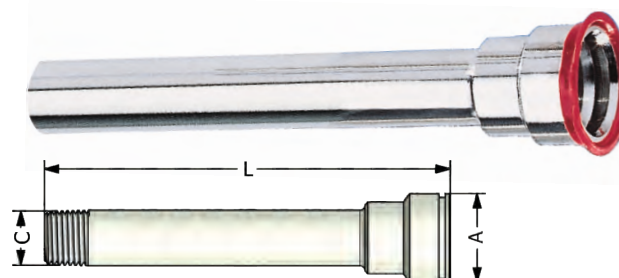
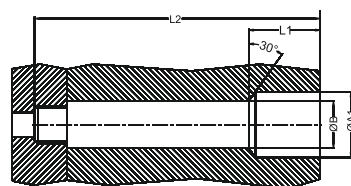


Options - Optionen
 B - Bleue - Blau
 R - Red - Rod
 V - FPM Seal - FPM Dichtung
 E - EPDM Seal - EPDM Dichtung



| Couplers and Plugs Kupplung und Nippel | F Connection Anschlüsse | Order No - Bestell Nr. Without Collar/Ohne Ring | Assembling Sizes / Dimension für die Montage | | | | | Allen SW |
|---|-------------------------------|--|--|----|----|----|----|-------------|
| | | | A | B | C | D | E | |
| Couplers and Plug Nippel und Nippel | R 3/8" | T100.12 RU17 | 32 | 28 | 11 | 25 | 41 | 10 |
| | R 1/2" | T100.12 RU21 | 32 | 28 | 16 | 25 | 44 | 14 |
| | R 3/4" | T100.12 RU26 | 32 | 13 | 14 | | 32 | 14 |
| | NPT 3/8" | T100.12 TU17 | 32 | 28 | 11 | 25 | 41 | 3/8" |
| | NPT 1/2" | T100.12 TU21 | 32 | 28 | 14 | 25 | 44 | 9/16" |
| | NPT 3/4" | T100.12 TU26 | 32 | 13 | 14 | | 32 | 9/16" |
| Female Threaded Plug Nippel mit Innengewinde | BSP 3/8 | T100.12 DU17 | 32 | 49 | | | | 12 |
| | BSP 1/2 | T100.12 DU21 | 32 | 50 | | | | 12 |

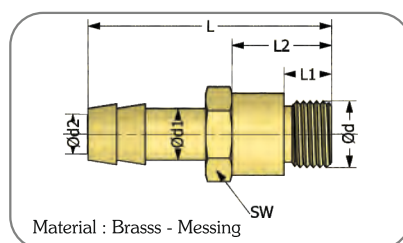
Extension Plug
(Smooth version)
Verlängerungsnippel
(Ohne Gewinde)



| Serie | ØC | L | Order No - Bestellnr. Without Collar Ohne Ring | Assembling Sizes / Dimension für die Montage | | | | | SW |
|----------------|------|-----|--|--|--------|----|-----|----|----|
| | | | | L1 | L2 | ØA | ØA1 | ØB | |
| T100.12 | 17.2 | 50 | T100.12-17.BU50 | 41 | L-8.5 | 32 | 33 | 18 | 14 |
| | 17.2 | 100 | T100.12-17.BU100 | 41 | L-8.5 | 32 | 33 | 18 | 14 |
| | 17.2 | 150 | T100.12-17.BU150 | 41 | L-8.5 | 32 | 33 | 18 | 14 |
| | 17.2 | 200 | T100.12-17.BU200 | 41 | L-8.5 | 32 | 33 | 18 | 14 |
| | 17.2 | 250 | T100.12-17.BU250 | 41 | L-8.5 | 32 | 33 | 18 | 14 |
| T100.12 | 21.3 | 50 | T100.12-21.BU50 | 43 | L-11.5 | 32 | 33 | 22 | 14 |
| | 21.3 | 100 | T100.12-21.BU100 | 43 | L-11.5 | 32 | 33 | 22 | 14 |
| | 21.3 | 150 | T100.12-21.BU150 | 43 | L-11.5 | 32 | 33 | 22 | 14 |
| | 21.3 | 200 | T100.12-21.BU200 | 43 | L-11.5 | 32 | 33 | 22 | 14 |
| | 21.3 | 250 | T100.12-21.BU250 | 43 | L-11.5 | 32 | 33 | 22 | 14 |

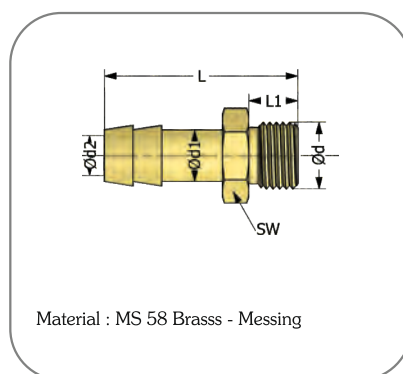
Plugs - Nippel T100 Series

Hose nipple



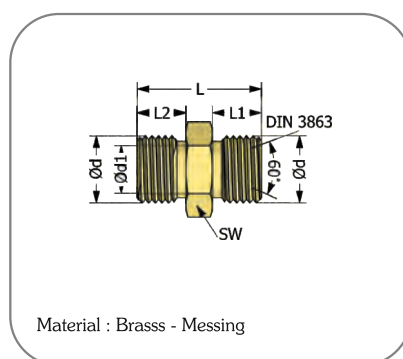
| Order No - Bestell Nr. | d | d1 | d2 | L | L1 | L2 | SW |
|------------------------|---------|----|----|----|----|----|----|
| TUHE M10 | M10x1 | 9 | 6 | 35 | 7 | 14 | 11 |
| TUHE 10 | G 1/8" | 9 | 6 | 35 | 7 | 14 | 11 |
| TUHE M12 | M12x1.5 | 9 | 8 | 37 | 10 | 18 | 14 |
| TUHE M14 | M14x1.5 | 13 | 9 | 47 | 9 | 16 | 15 |
| TUHE 13 | G 1/4" | 13 | 9 | 47 | 9 | 16 | 15 |
| TUHE M24 | M24x1.5 | 13 | 13 | 62 | 12 | 22 | 27 |
| TUHE 21 | G 1/2" | 19 | 13 | 62 | 12 | 22 | 22 |

SHE nipple



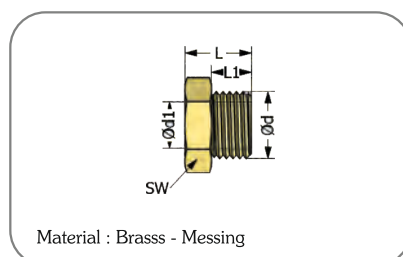
| | | | | | | |
|-----------------|---------|----|-----|----|----|----|
| TSHE M8 | M8x0,75 | 9 | 4.5 | 27 | 6 | 11 |
| TSHE M10 | M10x1 | 9 | 6 | 28 | 7 | 11 |
| TSHE 10 | G 1/8" | 9 | 6 | 28 | 7 | 11 |
| TSHE M12 | M12x1.5 | 13 | 9 | 38 | 9 | 15 |
| TSHE 13 | G 1/4" | 13 | 9 | 38 | 10 | 15 |
| TSHE M14 | M14x1.5 | 13 | 9 | 38 | 10 | 15 |
| TSHE M16 | M16x1.5 | 13 | 9 | 38 | 10 | 17 |
| TSHE 17 | G 3/8" | 13 | 9 | 38 | 10 | 17 |
| TSHE M24 | M24x1.5 | 19 | 13 | 49 | 16 | 27 |
| TSHE 21 | G 1/2" | 19 | 13 | 46 | 12 | 22 |
| TSHE 26 | G 3/4" | 19 | 13 | 49 | 16 | 27 |

Double nipples



| Sipariş No / Order No | d | d1 | L | L1 | L2 | SW |
|-----------------------|---------|----|----|----|----|----|
| TDP 14/14 | M14x1,5 | 6 | 24 | 9 | 9 | 17 |
| TDP 14/13 | M14x1,5 | 6 | 24 | 9 | 9 | 15 |
| TDP 13/13 | G 1/4" | 6 | 23 | 9 | 9 | 19 |
| TDP 16/16 | M16x1,5 | 9 | 24 | 9 | 9 | 17 |
| TDP 16/17 | M16x1,5 | 9 | 24 | 9 | 9 | 19 |
| TDP 17/17 | G 3/8" | 9 | 24 | 9 | 9 | 19 |
| TDP 24/24 | M24x1,5 | 13 | 40 | 16 | 16 | 27 |
| TDP 24/21 | M24x1,5 | 13 | 36 | 16 | 12 | 25 |
| TDP 21/21 | G 1/2" | 13 | 30 | 12 | 12 | 22 |
| TDP 26/26 | G 3/4" | 13 | 40 | 16 | 16 | 27 |

Reduction / Reduzierung

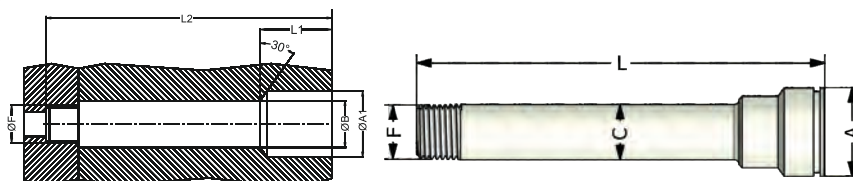


| Sipariş No / Order No | d | d1 | L | L1 | SW |
|-----------------------|---------|---------|----|----|----|
| TRD 14/10 | M14x1,5 | M10x1 | 14 | 9 | 15 |
| TRD 18/14 | M18x1,5 | M14x1,5 | 14 | 9 | 19 |
| TRD 13/10 | G 1/4" | G 1/8" | 11 | 8 | 15 |
| TRD 17/13 | G 3/8" | G 1/4" | 13 | 9 | 19 |
| TRD 21/17 | G 1/2" | G 3/8" | 18 | 12 | 22 |
| TRD 24/16 | M24x1,5 | M16x1,5 | 24 | 16 | 25 |
| TRD 26/21 | G 3/4" | G 1/2" | 24 | 16 | 27 |

FRENCH System



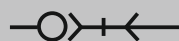
20% High Flow



Extension (conical threaded version BSPT-NPT)
Verlängerungsbuchse (konesches Gewinde BSPT-NPT)

| Serie | F Thread Gewinde | L min./max. | Order No - Bestell Nr. Without Collar / Ohne Ring | Assembling Sizes / Dimension für die Montage | | | | | | Allen SW | Torque Drehmoment (m.daN) |
|-------------------------|------------------------|----------------|--|--|--------|----|-----|----|------|-------------|---------------------------------|
| | | | | L1 | L2 | ØA | ØA1 | ØB | ØC | | |
| T100.12 BSPT | R3/8" | 56/100 | T100.12-100.R17 | 43 | L-8.5 | 32 | 33 | 18 | 17.2 | 14 | 3 |
| | R3/8" | 100/150 | T100.12-150.R17 | 43 | L-8.5 | 32 | 33 | 18 | 17.2 | 14 | 3 |
| | R3/8" | 150/200 | T100.12-200.R17 | 43 | L-8.5 | 32 | 33 | 18 | 17.2 | 14 | 3 |
| | R3/8" | 200/250 | T100.12-250.R17 | 43 | L-8.5 | 32 | 33 | 18 | 17.2 | 14 | 3 |
| T100.12 NPT | NPT3/8" | 56/100 | T100.12-100.T17 | 43 | L-8.5 | 32 | 33 | 18 | 17.2 | 3/8" | 3 |
| | NPT3/8" | 100/150 | T100.12-150.T17 | 43 | L-8.5 | 32 | 33 | 18 | 17.2 | 3/8" | 3 |
| | NPT3/8" | 150/200 | T100.12-200.T17 | 43 | L-8.5 | 32 | 33 | 18 | 17.2 | 3/8" | 3 |
| | NPT3/8" | 200/250 | T100.12-250.T17 | 43 | L-8.5 | 32 | 33 | 18 | 17.2 | 3/8" | 3 |
| T100.12 BSPT | R1/2" | 56/100 | T100.12-100.R21 | 45 | L-11.5 | 32 | 33 | 22 | 21.3 | 14 | 5 |
| | R1/2" | 100/150 | T100.12-150.R21 | 45 | L-11.5 | 32 | 33 | 22 | 21.3 | 14 | 5 |
| | R1/2" | 150/200 | T100.12-200.R21 | 45 | L-11.5 | 32 | 33 | 22 | 21.3 | 14 | 5 |
| | R1/2" | 200/250 | T100.12-250.R21 | 45 | L-11.5 | 32 | 33 | 22 | 21.3 | 14 | 5 |
| T100.12 NPT | NPT1/2" | 59/100 | T100.12-100.T21 | 45 | L-11.5 | 32 | 33 | 22 | 21.3 | 9/16" | 5 |
| | NPT1/2" | 100/150 | T100.12-150.T21 | 45 | L-11.5 | 32 | 33 | 22 | 21.3 | 9/16" | 5 |
| | NPT1/2" | 150/200 | T100.12-200.T21 | 45 | L-11.5 | 32 | 33 | 22 | 21.3 | 9/16" | 5 |
| | NPT1/2" | 200/250 | T100.12-250.T21 | 45 | L-11.5 | 32 | 33 | 22 | 21.3 | 9/16" | 5 |

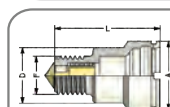
Male Threaded Nippel with Valve (T100.12)
Buchse mit Assengewinde mit Ventil (T100.12)



ØF
Connection
Anschlüsse

Order No - Bestell Nr.
Without Collar/Ohne Ring

Dimension in /
Dimensionen in (mm)



Male thread
Nippel with valve
Nippel mit Innengewinde

G3/8"

T100.12 EUB 17

32

24

40,5

G1/2"

T100.12 EUB 21

32

24

42,5

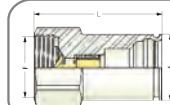
G1/4"

T100.12 EUB 26

32

30

38,5



Female thread
Nippel with valve
Nippel mit Innengewinde

G1/2"

T100.12 DUB 21

32

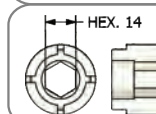
62

G3/4"

T100.12 DUB 26

32

62



Assembling apparatus
Montagemittel

T100.12 EUB 00

FRENCH System

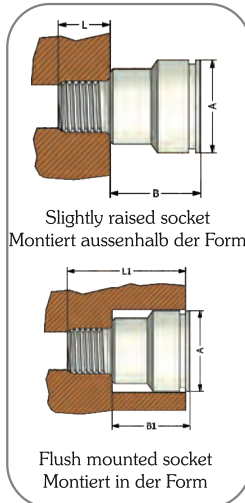


20% High Flow



Assembling Dimension in Moulds
Einbaumasse

| Serie | F Thread Gewinde | Kaliba Gömme Tip - Slightly raised socket | | | Kalıp Dışına Monteli Uç - Flush mounted socket | | | Allen SW | Torque (N.m) |
|----------|------------------------|---|------|--------|--|------|-------|-------------|-----------------|
| | | ØA | B | L min. | ØA1 min | B1 | L1 | | |
| T100.06 | 1/8" BSP | 17 | 20 | 10 | 18.5 | 20.5 | 29.5 | 6 | 15 |
| | 1/4" BSP | 17 | 18 | 13 | 18.5 | 18.5 | 30.5 | 6 | 30 |
| | 1/8" NPT | 17 | 22 | 10 | 18.5 | 22.5 | 31.5 | 1/4" | 15 |
| | 1/4" NPT | 17 | 20 | 13.5 | 18.5 | 20.5 | 33 | 1/4" | 30 |
| T100.08 | 1/8" BSP | 21 | 23 | 10 | 22.5 | 24 | 33 | 6 | 15 |
| | 1/4" BSP | 21 | 22 | 12 | 22.5 | 23 | 34 | 8 | 30 |
| | 3/8" BSP | 21 | 12 | 13 | 22.5 | 13 | 25 | 8 | 30 |
| | 1/8" NPT | 21 | 25.5 | 10 | 22.5 | 25.5 | 35 | 1/4" | 15 |
| | 1/4" NPT | 21 | 24 | 12 | 22.5 | 23.5 | 35.5 | 5/16" | 30 |
| 3/8" NPT | 21 | 14 | 13 | 22.5 | 14 | 27 | 5/16" | 30 | |
| T100.12 | 3/8" BSP | 32 | 29 | 13 | 33.5 | 30 | 42 | 10 | 50 |
| | 1/2" BSP | 32 | 10 | 15 | 33.5 | 31 | 45 | 14 | 50 |
| | 3/4" BSP | 32 | 15 | 18 | 33.5 | 20 | 36 | 14 | 50 |
| | 3/8" NPT | 32 | 33 | 13 | 33.5 | 33 | 46 | 3/8" | 50 |
| | 1/2" NPT | 32 | 35 | 15 | 33.5 | 34.5 | 51 | 9/16" | 50 |
| | 3/4" NPT | 32 | 17.5 | 18 | 33.5 | 17.5 | 36.5 | 9/16" | 50 |



| Couplers and Plugs Kupplung und Nippel | Order No - Bestellnr. | d1 | d2 | d3 | d4 | L | L1 |
|---|-----------------------|----|----|----|----|---|----|
|---|-----------------------|----|----|----|----|---|----|

| | | | | | | | |
|--|--------------|----|---|----|-----|----|----|
| | T100.08 T060 | 9 | 6 | 20 | 7.5 | 51 | 30 |
| | T100.08 T090 | 13 | 9 | 20 | 7.5 | 51 | 30 |


| Couplers and Plugs Kupplung und Nippel | Order No - Bestellnr. | d1 | d2 | d3 | d4 | L | L1 |
|---|-----------------------|----|----|----|----|---|----|
|---|-----------------------|----|----|----|----|---|----|

| | | | | | | | |
|--|-------------|----|-----|----|-----|----|----|
| | T100.08 T06 | 9 | 5.5 | 20 | 7.5 | 48 | 30 |
| | T100.08 T09 | 13 | 8 | 20 | 7.5 | 53 | 30 |




AISI 316
Stainless Steel
Edelstahl
9 Pieci - 9 Anzahl

20% High Flow


| | Serie | Order No Bestell Nr. | Temperature |
|---|--|--|---------------------------------|
|  | T100.06 T100.08 T100.12 | CG T100.06N CG T100.08N CG T100.12N | -15°C / +100°C -4°F / +212°F |
| Nitril (N) | | | |


Spare O-Ring (NBR) - Ersatz O-Ring (Viton)

| | Serie | Order No Bestell Nr. | Temperature |
|---|--|--|---------------------------------|
|  | T100.06 T100.08 T100.12 | CG T100.06V CG T100.08V CG T100.12V | -15°C / +100°C -4°F / +212°F |
| Viton (V) | | | |

Packaging Size : 25 pcs - Verpackungseinheit 25 Stück


**Colour identification Rings for Sockets
Markierungsringe für Kupplung**


| | Serie | Order No Bestell Nr. |
|---|--|--|
|  | T100.06 T100.08 T100.12 | CG T100.06 KB CG T100.08 KB CG T100.12 KB |
| Blue - Blau | | |

| | Serie | Order No Bestell Nr. |
|---|--|--|
|  | T100.06 T100.08 T100.12 | CG T100.06 KR CG T100.08 KR CG T100.12 KR |
| Red -Rot | | |

Packaging Size : 25 pcs - Verpackungseinheit 25 Stück

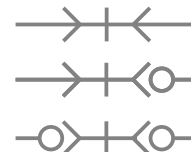
**Colour identification Rings for Nipples
Markierungsringen für Nippel**

| | Serie | Order No Bestell Nr. |
|---|--|--|
|  | T100.06 T100.08 T100.12 | CG T100.06 SB CG T100.08 SB CG T100.12 SB |
| Mavi - Blue | | |

| | Serie | Order No Bestell Nr. |
|---|--|--|
|  | T100.06 T100.08 T100.12 | CG T100.06 SR CG T100.08 SR CG T100.12 SR |
| Kırmızı - Red | | |

Packaging Size : 25 pcs - Verpackungseinheit 25 Stück

FRENCH System



T101.06
T101.09
T101.12
T101.16
T101-20
T101-25
T101-38

For plastic injection moulding,
 heat transfer fluids and all industrial
 applications

Für Kühlung und Temperaturregelung
 von Kunststoffformen und Maschinen

Using Area :

- On cooling system of plastic zamak and aluminium injection molds
- On mould temperature control lines of thermoplastic injection moulding
- On water cooling circuit of welding machines
- On cleaning and washing systems of machines
- On hot oil lines connections
- All industries
- On steam lines

Technical Specification:

Single or double shut-off
 T101.16 plug body manufactured from stainless steel and hardened
 T101.20 - T101.25 - T101.38 plug body manufactured from stainless steel
 The O-ring for all T101 serie couplers are Fluorocarbon FPM (V).

Nutzungsbereich :

- an Kühlsystemen für Kunststoff-, Zamak-, Messing- und Aluminium- Kokillenformen
- Reinigungs- und Waschsyste men von Maschinen
- Heißölleitungsanschlüssen
- alle Industriezweigen
- Dampfleitungen

Technische Eigenschaften :

- Ein-oder beidseitiges Ventill
- T101.16 Nippel aus gehärtetem Edelstahl
- T101.20 - T102.25 - T101.38 Kupplungskörper aus Edelstahl
- O-Ringe der Serie T101 sind FPM (V)

FRENCH System

Interchangeability - - Kompatibilität
 Unserer Produktserie ist mit der
 Große Herstellern kompatibel

Ø Nominal-Nennwert (mm) :6
 Working Pressure-Arbeitsdruck (bar) :16
 Cross section-Querschnitte(mm²) :28.3
 Number of the Balls-Anzahl der Kugeln :6

Temperature Range-Temperaturbereich
 V - Viton (FPM) :-10 °C +200°C
 E - Ethylene Prop. (EPDM) :-20 °C +150°C
 Ni - Nitrile (NBR) :-15 °C +100°C

Material - Material

Coupler Body -
 Kupplungsgrundkörper : Brass - Messing
 Sleeve - Hülse : Stainless Steel -
 Edelstahl (AISI 420)

Valve - Ventil : Brass - Messing
 Springs - Federn : Stainless Steel - Edelstahl
 Balls - Kugeln : Stainless Steel - Edelstahl
 Seals - Dichtungen : Fluorocarbon FPM (V)
 Plug - Nippel : Brass Nickel Plated -
 Messing Vernickelt

Interchangeability - - Kompatibilität
 Unserer Produktserie ist mit der
 Große Herstellern kompatibel

Ø Nominal-Nennwert (mm) :9
 Working Pressure-Arbeitsdruck (bar) :16
 Cross section-Querschnitte(mm²) :63.9
 Number of the Balls-Anzahl der Kugeln :6

Temperature Range-Temperaturbereich
 V - Viton (FPM) :-10 °C +200°C
 E - Ethylene Prop. (EPDM) :-20 °C +150°C
 Ni - Nitrile (NBR) :-15 °C +100°C

Material - Material

Coupler Body -
 Kupplungsgrundkörper : Brass - Messing
 Sleeve - Hülse : Stainless Steel -
 Edelstahl (AISI 420)

Valve - Ventil : Brass - Messing
 Springs - Federn : Stainless Steel - Edelstahl
 Balls - Kugeln : Stainless Steel - Edelstahl
 Seals - Dichtungen : Fluorocarbon FPM (V)
 Plug - Nippel : Brass Nickel Plated -
 Messing Vernickelt

Interchangeability - - Kompatibilität
 Unserer Produktserie ist mit der
 Große Herstellern kompatibel

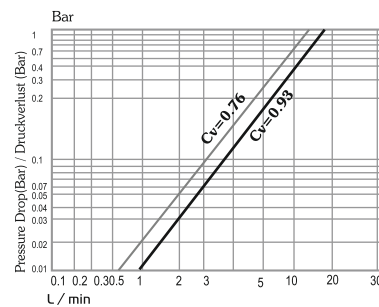
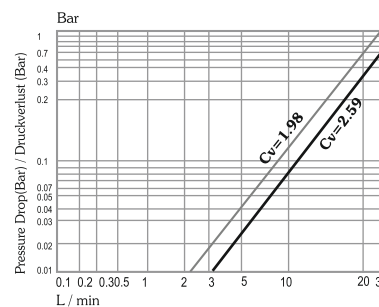
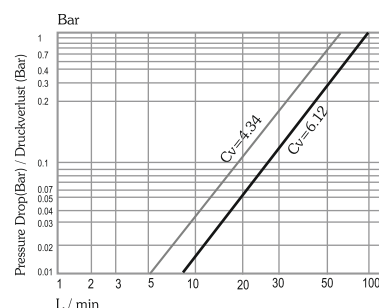
Ø Nominal-Nennwert (mm) :12
 Working Pressure-Arbeitsdruck (bar) :16
 Cross section-Querschnitte(mm²) :113
 Number of the Balls-Anzahl der Kugeln :6

Temperature Range-Temperaturbereich
 V - Viton (FPM) :-10 °C +200°C
 E - Ethylene Prop. (EPDM) :-20 °C +150°C
 Ni - Nitrile (NBR) :-15 °C +100°C

Material - Material

Coupler Body -
 Kupplungsgrundkörper : Brass - Messing
 Sleeve - Hülse : Stainless Steel -
 Edelstahl (AISI 420)

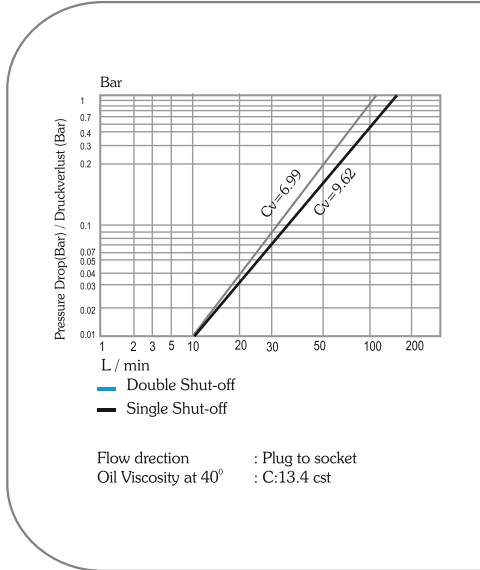
Valve - Ventil : Brass - Messing
 Springs - Federn : Stainless Steel - Edelstahl
 Balls - Kugeln : Stainless Steel - Edelstahl
 Seals - Dichtungen : Fluorocarbon FPM (V)
 Plug - Nippel : Brass Nickel Plated -
 Messing Vernickelt

**T101.06****T101.09****T101.12**

FRENCH System



QUICK COUPLINGS FOR MOULD AND GENERAL INDUSTRY



T101.16



Interchangeability - - Kompatibilität
Unserer Produktserie ist mit der
Große Herstellern kompatibel

Ø Nominal-Nennwert (mm) :16
Working Pressure-Arbeitsdruck (bar) :16
Cross section-Querschnitte(mm²) :201
Number of the Balls-Anzahl der Kugeln :12

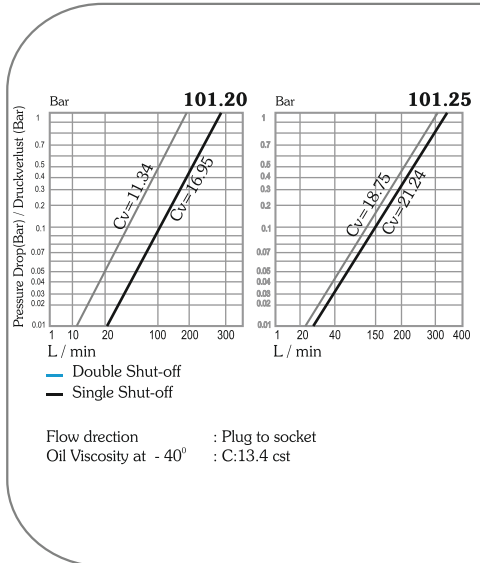
Temperature Range-Temperaturbereich
V - Viton (FPM) :-10 °C +200°C
E - Ethylene Prop. (EPDM) :-20 °C +150°C
Ni - Nitrile (NBR) :-15 °C +100°C

Material - Material

Coupler Body -
Kupplungsgrundkörper : Brass - Messing
Sleeve - Hülse : Stainless Steel -
Edelstahl (AISI 420)
Valve - Ventil : Brass - Messing
Springs - Federn : Stainless Steel - Edelstahl
Balls - Kugeln : Stainless Steel - Edelstahl
Seals - Dichtungen : Fluorocarbon FPM (V)
Plug Body - Nippel : Stainless Steel -
Edelstahl (AISI 420)

Interchangeability - - Kompatibilität
Unserer Produktserie ist mit der
Große Herstellern kompatibel

T101.20 - T101.25



Ø Nominal-Nennwert (mm) :20
Working Pressure-Arbeitsdruck (bar) :16
Cross section-Querschnitte(mm²) :314
Number of the Balls-Anzahl der Kugeln :12

Çalışma Sıcaklığı / Working Temperature-

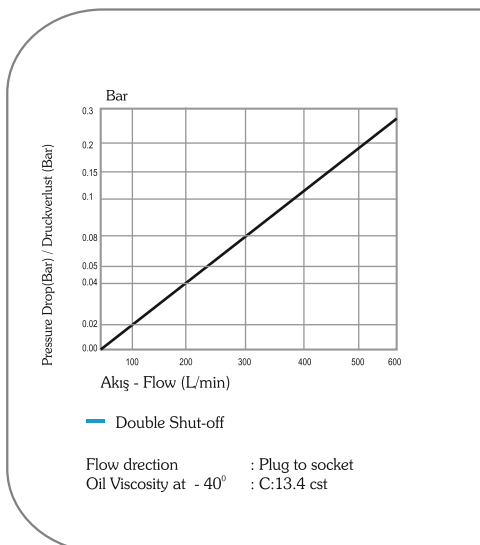
V - Viton (FPM) :-10 °C +200°C
E - Ethylene Prop. (EPDM) :-20 °C +150°C
Ni - Nitrile (NBR) :-15 °C +100°C

Material - Material

Coupler Body -
Kupplungsgrundkörper : Brass Nickel Plated - Messing
Vernickelt
Sleeve - Hülse : Stainless Steel - Edelstahl (AISI 420)
Valve - Ventil : Brass Nickel Plated - Messing
Vernickelt
Springs - Federn : Stainless Steel - Edelstahl
Balls - Kugeln : Stainless Steel - Edelstahl
Seals - Dichtungen : Fluorocarbon FPM (V)
Plug Body - Nippel : Stainless Steel - Edelstahl (AISI 420)

Interchangeability - - Kompatibilität
Unserer Produktserie ist mit der
Große Herstellern kompatibel

T101.38



Ø Nominal-Nennwert (mm) :38
Working Pressure-Arbeitsdruck (bar) :16
Cross section-Querschnitte(mm²) :1130
Number of the Balls-Anzahl der Kugeln :14

Temperature Range-Temperaturbereich
V - Viton (FPM) :-10 °C +200°C
E - Ethylene Prop. (EPDM) :-20 °C +150°C
Ni - Nitrile (NBR) :-15 °C +100°C

Material - Material

Coupler Body -
Kupplungsgrundkörper : Brass Nickel Plated -
Messing Vernickelt
Sleeve - Hülse : Stainless Steel -
Edelstahl (AISI 420)
Valve - Ventil : Brass Nickel Plated -
Messing Vernickelt
Springs - Federn : Stainless Steel - Edelstahl
Balls - Kugeln : Stainless Steel - Edelstahl
Seals - Dichtungen : Fluorocarbon FPM (V)
Plug Body - Nippel : Stainless Steel -
Edelstahl (AISI 420)

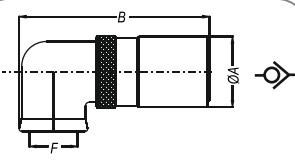
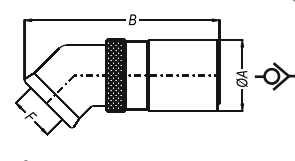
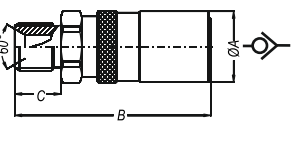
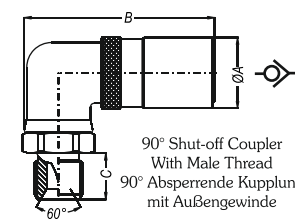
FRENCH System



| Couplers Kupplungen | NW Size/ Größe mm | Connection Anschlüsse (F/Ø) | Single & Double Shut-off Einseitig & Beidseitig absperbar | Full Flow Nicht Gesperrte Durchfluss | ØA | B | C | SW |
|---|-------------------------|-----------------------------------|--|---|----|-------|----|----|
| | | | Order No / Bestell Nr. | Order No / Bestell Nr. | | | | |
| <p>Shut-off Coupler for Rubber Hoses Absperrende Kupplung für Kautschukschlauchanschluß</p> | 6 | 08 - 5/16" | T101.06 HGB 08 | T101.06 HGF 08 | 19 | 60 | 23 | |
| | 9 | 12 - 15/32" | T101.09 HGB 12 | T101.09 HGF 12 | 25 | 69.5 | 28 | |
| | 12 | 13 - 1/2" | T101.12 HGB 13 | T101.12 HGF 13 | 31 | 82 | 28 | |
| | 12 | 16 - 5/8" | T101.12 HGB 16 | T101.12 HGF 16 | 31 | 82 | 28 | |
| | 16 | 19 - 3/4" | T101.16 HGB 19 | T101.16 HGF 19 | 38 | 108.5 | 33 | |
| | 16 | 19 - 3/4" | | T101.16 HGF 19SP | 38 | 88 | 33 | |
| <p>Shut-off Coupler for Push Lock Hoses Absperrende Kupplung für selbstklemmender Schlauchanschluß</p> | 6 | 10 - 3/8" | T101.06 FGB 10 | T101.06 FGF 10 | 19 | 60 | 24 | |
| | 9 | 10 - 3/8" | T101.09 FGB 10 | T101.09 FGF 10 | 25 | 65.5 | 24 | |
| | 9 | 13 - 1/2" | T101.09 FGB 13 | T101.09 FGF 13 | 25 | 69.5 | 28 | |
| | 12 | 13 - 1/2" | T101.12 FGB 13 | T101.12 FGF 13 | 31 | 92 | 38 | |
| | 12 | 16 - 5/8" | T101.12 FGB 16 | T101.12 FGF 16 | 31 | 92 | 38 | |
| | 19 | 19 - 3/4" | T101.16 FGB 19 | T101.16 FGF 19 | 38 | 109 | 38 | |
| <p>90° Shut-off Coupler for Rubber Hoses 90° Absperrende Kupplung für Kautschukschlauchanschluß</p> | 6 | 08 - 5/16" | T101.06 HGB 08-90° | T101.06 HGF 08-90° | 19 | 59 | 23 | |
| | 9 | 10 - 3/8" | T101.09 HGB 10-90° | T101.09 HGF 10-90° | 25 | 60 | 28 | |
| | 9 | 12 - 15/32" | T101.09 HGB 12-90° | T101.09 HGF 12-90° | 25 | 65 | 28 | |
| | 12 | 16 - 5/8" | T101.12 HGB 16-90° | T101.12 HGF 16-90° | 31 | 82 | 28 | |
| | 16 | 19 - 3/4" | T101.16 HGB 19-90° | T101.16 HGF 19-90° | 38 | 132 | 60 | |
| <p>135° Shut-off Coupler for Rubber Hoses 135° Absperrende Kupplung für Kautschukschlauchanschluß</p> | 6 | 08 - 5/16" | T101.06 HGB 08-135° | T101.06 HGF 08-135 | 19 | 59 | 23 | |
| <p>Shut-off Coupler With Female Thread Absperrende Kupplung mit Innengewinde</p> | 6 | BSP 1/4" | T101.06 DGB 13 | T101.06 DGF 13 | 19 | 46 | | 17 |
| | 6 | NPT 1/4" | T101.06 NGB 13 | T101.06 NGF 13 | 19 | 46 | | 17 |
| | 9 | BSP 3/8" | T101.09 DGB 17 | T101.09 DGF 17 | 25 | 53 | | 22 |
| | 9 | NPT 1/4" | T101.09 NGB 17 | T101.09 NGF 17 | 25 | 51 | | 22 |
| | 12 | BSP 12" | T101.12 DGB 21 | T101.12 DGF 21 | 31 | 67 | | 27 |
| | 12 | NPT 1/2" | T101.12 NGB 21 | T101.12 NGF 21 | 31 | 65 | | 27 |
| | 16 | BSP 3/4" | T101.16 DGB 26 | T101.16 DGF 26 | 38 | 90.5 | | 35 |
| | 16 | BSP 3/4" | | T101.16 DGF 26SP | 38 | 55 | | 35 |
| | 16 | NPT 3/4" | T101.16 NGB 26 | T101.16 NGF 26 | 38 | 88.5 | | 35 |

FRENCH System



| Couplers Kupplungen | NW Size/ Größe mm | Connection Anschlüsse (F/Ø) | Single & Double Shut-off Einseitig & Beidseitig absperbar | | Full Flow Nicht Gesperrte Durchfluss | | ØA | B | C | SW |
|--|-------------------------|-----------------------------------|--|----------------------------|---|------------------------|----|----|---|----|
| | | | Order No / Bestell Nr. | Order No / Bestell Nr. | Order No / Bestell Nr. | Order No / Bestell Nr. | | | | |
|  <p>90° Shut-off Coupler With Female Thread 90° Absperrende Kupplung mit Innengewinde</p> | 6 | BSP 1/4" | T101.06 DGB 13-90° | T101.06 DGF 13-90° | 19 | 59 | | | | |
| | 6 | NPT 1/4" | T101.06 NGB 13-90° | T101.06 NGF 13-90° | 19 | 59 | | | | |
| | 9 | BSP 3/8" | T101.09 DGB 17-90° | T101.09 DGF 17-90° | 25 | 65 | | | | |
| | 9 | NPT 3/8" | T101.09 NGB 17-90° | T101.09 NGF 17-90° | 25 | 65 | | | | |
| | 12 | BSP 1/2" | T101.12 DGB 21-90° | T101.12 DGF 21-90° | 31 | 82 | | | | |
| | 12 | NPT 1/2" | T101.12 NGB 21-90° | T101.12 NGF 21-90° | 31 | 82 | | | | |
|  <p>135° Shut-off Coupler With Female Thread 135° Absperrende Kupplung mit Innengewinde</p> | 6 | BSP 1/4" | T101.06 DGB 13-135° | T101.06 DGF 13-135° | 19 | 59 | | | | |
|  <p>Shut-off Coupler With Male Thread Absperrende Kupplung mit Außengewinde</p> | 6 | BSP 1/4" | T101.06 EGB 13 | T101.06 EGF 13 | 19 | 55 | 12 | 17 | | |
| | 9 | BSP 3/8" | T101.09 EGB 17 | T101.09 EGF 17 | 25 | 61 | 12 | 22 | | |
| | 12 | BSP 1/2" | T101.12 EGB 21 | T101.12 EGF 21 | 31 | 72 | 14 | 27 | | |
| | 16 | BSP 3/4" | T101.16 EGB 26 | T101.16 EGF 26 | 38 | 115.5 | 18 | 32 | | |
|  <p>90° Shut-off Coupler With Male Thread 90° Absperrende Kupplung mit Außengewinde</p> | 6 | BSP 1/4" | T101.06 EGB 13-90° | T101.06 EGF 13-90° | 19 | 58 | 11 | 17 | | |
| | 9 | BSP 3/8" | T101.09 EGB 17-90° | T101.09 EGF 17-90° | 25 | 66.5 | 12 | 21 | | |
| | 12 | BSP 1/2" | T101.12 EGB 21-90° | T101.12 EGF 21-90° | 31 | 81.5 | 14 | 27 | | |
| | 16 | BSP 3/4" | T101.16 EGB 26-90° | T101.16 EGF 26-90° | 38 | 121 | 18 | 32 | | |

FRENCH System

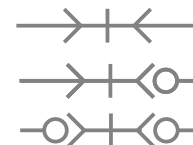


Add Z to the back of the code for order.
Um zu bestellen. Fügen Sie bitte Z am
ende den Bestell Nr hinzu



| Plugs Nippel | Connection Anschlüsse (F/Ø) | Connection Anschlüsse (F/Ø) | Order No / Bestell Nr. | B | ØD | SW |
|--|-----------------------------------|-----------------------------------|------------------------|------|----|----|
| <p>Tapered Male Threaded Plugs Nippel mit Konischem Außengewinde</p> | 6 | BSPT 1/8" | T101.06 RU 10 | 21 | 10 | 5 |
| | 6 | BSPT 1/4" | T101.06 RU 13 | 22 | 11 | 5 |
| | 6 | NPT 1/8" | T101.06 TU 10 | 22 | 14 | 5 |
| | 6 | NPT 1/4" | T101.06 TU 13 | 22 | 14 | 5 |
| | 9 | BSPT 1/4" | T101.09 RU 13 | 21 | 14 | 8 |
| | 9 | BSPT 3/8" | T101.09 RU 17 | 21 | 14 | 8 |
| | 9 | NPT 1/4" | T101.09 TU 13 | 23 | 17 | 8 |
| | 9 | NPT 3/8" | T101.09 TU 17 | 23 | 17 | 8 |
| | 12 | BSPT 3/8" | T101.12 RU 17 | 26 | 18 | 10 |
| <p>Tapered Male Threaded Plugs Nippel mit konischem Außengewinde</p> | 12 | BSPT 1/2" | T101.12 RU 21 | 51.5 | | 24 |
| | 12 | NPT 3/8" | T101.12 TU 17 | 28 | | 22 |
| | 12 | NPT 1/2" | T101.12 TU 21 | 38 | | 22 |
| | 16 | BSPT 1/2" | T101.16 RU 21 | 39 | | 24 |
| | 16 | BSPT 3/4" | T101.16 RU 26 | 41.5 | | 27 |
| <p>Male Threaded Plugs Nippel mit Außengewinde</p> | 9 | BSP 1/2" | T101.09 EU 21 | 25 | | 22 |
| | 12 | BSP 3/4" | T101.12 EU 26 | 30 | | 27 |
| | 16 | BSP 1" | T101.16 EU 33 | 38 | | 32 |
| | 16 | M24x1.5 | T101.16 EUM 26 | 41.5 | | 27 |
| <p>Female Threaded Plugs Nippel mit Innengewinde</p> | 6 | BSP 1/4" | T101.06 DU 13 | 34 | | 17 |
| | 6 | NPT 1/4" | T101.06 NU 13 | 47 | | 17 |
| | 9 | BSP 3/8" | T101.09 DU 17 | 37 | | 22 |
| | 9 | NPT 3/8" | T101.09 NU 17 | 49 | | 22 |
| | 12 | BSP 1/2" | T101.12 DU 21 | 45 | | 27 |
| | 12 | NPT 1/2" | T101.12 NU 21 | 67 | | 27 |
| | 16 | BSP 3/4" | T101.16 DU 26 | 58 | | 32 |
| | 16 | NPT 3/4" | T101.16 NU 26 | 80 | | 32 |
| <p>Plug for Rubber Hoses Nippel für Kautschukschlauch</p> | 6 | Ø 8 5/16" | T101.06 HU 08 | 24.5 | | |
| | 9 | Ø12 15/32" | T101.09 HU 12 | 25.5 | | |
| | 12 | Ø16 5/8" | T101.12 HU 16 | 30 | | |
| | 16 | Ø19 3/4" | T101.16 HU 19 | 37 | | |

FRENCH System



| Shut-off Plugs Absperrend Nippel | NW Size/ Größe mm | Connection Anschlüsse (F/Ø) | Order No / Bestell Nr. | B | ØD | SW |
|---|-------------------------|-----------------------------------|------------------------|------|----|----|
| <p>Male Threaded Shut-off Plugs with parallel tread Absperrende Nippel mit zylindrischem Außengewinde</p> | 6 | BSP 1/8" | T101.06 EUB 10 | 38 | | 17 |
| | 6 | BSP 1/4" | T101.06 EUB 13 | 36 | | 17 |
| | 9 | BSP 1/4" | T101.09 EUB 13 | 42 | | 19 |
| | 9 | BSP 3/8" | T101.09 EUB 17 | 38 | | 20 |
| | 12 | BSP 3/8" | T101.12 EUB 17 | 53.5 | | 24 |
| | 12 | BSP 1/2" | T101.12 EUB 21 | 50 | | 24 |
| | 16 | BSP 3/4" | T101.16 EUB 26 | 67 | | 32 |
| <p>Tapered Male Threaded Shut-off Plugs Absperrende Nippel mit konischem Außengewinde</p> | 6 | BSPT 1/8" | T101.06 RUB 10 | 36 | | 17 |
| | 6 | BSPT 1/4" | T101.06 RUB 13 | 33 | | 17 |
| | 6 | NPT 1/8" | T101.06 TUB 10 | 36 | | 17 |
| | 6 | NPT 1/4" | T101.06 TUB 13 | 33 | | 17 |
| | 9 | BSPT 1/4" | T101.09 RUB 13 | 39 | | 19 |
| | 9 | BSPT 3/8" | T101.09 RUB 17 | 39.5 | | 19 |
| | 9 | NPT 1/4" | T101.09 TUB 13 | 39 | | 19 |
| | 9 | NPT 3/8" | T101.09 TUB 17 | 35.5 | | 19 |
| | 12 | BSPT 3/8" | T101.12 RUB 17 | 51.5 | | 24 |
| | 12 | BSPT 1/2" | T101.12 RUB 21 | 46 | | 24 |
| | 12 | NPT 3/8" | T101.12 TUB 17 | 51.5 | | 24 |
| | 12 | NPT 1/2" | T101.12 TUB 21 | 46 | | 24 |
| <p>BSP Male Threaded Shut-off Plugs Absperrende Nippel mit BSP Außengewinde</p> | 9 | BSP 1/2" | T101.09 EUB 21 | 25 | | 22 |
| | 12 | BSP 3/4" | T101.12 EUB 26 | 30 | | 27 |
| | 16 | BSP 1" | T101.16 EUB 33 | 38 | | 32 |
| <p>Female Threaded Shut-off Plugs Absperrende Nippel mit Innengewinde</p> | 6 | BSP 1/4" | T101.06 DUB 13 | 47 | | 17 |
| | 6 | NPT 1/4" | T101.06 NUB 13 | 47 | | 17 |
| | 9 | BSP 1/4" | T101.09 DUB 13 | 48.5 | | 19 |
| | 9 | NPT 1/4" | T101.09 NUB 13 | 48.5 | | 19 |
| | 9 | BSP 3/8" | T101.09 DUB 17 | 49 | | 22 |
| | 12 | NPT 1/2" | T101.12 NUB 21 | 85 | | 27 |
| | 16 | BSP 3/4" | T101.16 DUB 26 | 81 | | 32 |
| <p>Connecting Size Anschlußgröße</p> | 6 | | T101.06 | 17.5 | | |
| | 9 | | T101.09 | 18.5 | | |
| | 12 | | T101.12 | 23 | | |
| | 16 | | T101.16 | 30 | | |

FRENCH System



Assembling of straight - through plugs on the mould
Montagezeichnungen von Nippeln (ohne Ventil) in der Form

| Tapered Male Threaded Plugs Nippel mit konischem Außengewinde | NW Size/ Größe mm | Connection Anschlüsse (F/Ø) | Order No / Bestell Nr. | A | ØB | ØC | D | SW |
|--|-------------------------|-----------------------------------|------------------------|----|----|----|----|----|
| | 6 | BSPT 1/8" | T101.06 RU 10 | 26 | 20 | 10 | 9 | 5 |
| | 6 | NPT 1/8" | T101.06 TU 10 | 28 | 20 | 11 | 9 | 5 |
| | 6 | BSPT 1/4" | T101.06 RU 13 | 27 | 20 | 14 | 12 | 5 |
| | 6 | NPT 1/4" | T101.06 TU 13 | 27 | 20 | 14 | 13 | 5 |
| | 9 | BSPT 1/4" | T101.09 RU 13 | 26 | 26 | 14 | 12 | 8 |
| | 9 | NPT 1/4" | T101.09 TU 13 | 26 | 26 | 14 | 13 | 8 |
| | 9 | BSPT 3/8" | T101.09 RU 17 | 28 | 26 | 17 | 13 | 8 |
| | 9 | NPT 3/8" | T101.09 TU 17 | 28 | 26 | 17 | 13 | 8 |
| | 12 | BSPT 3/8" | T101.12 RU 17 | 31 | 33 | 18 | 13 | 10 |
| | 12 | NPT 3/8" | T101.12 TU 17 | 55 | 36 | | 11 | 24 |
| | 12 | BSPT 1/2" | T101.12 RU 21 | 34 | 33 | | 15 | 22 |
| | 12 | NPT 1/2" | T101.12 TU 21 | 34 | 33 | | 15 | 22 |
| | 16 | BSPT 3/4" | T101.16 RU 26 | 50 | 40 | | 19 | 27 |

Assembling of self-sealing plugs on the mould
Montagezeichnungen von Nippeln in der Form

| | | | | | | | | |
|---|-----------|-----------------------|------------------------|----|----|----|----|----|
| <p>BSP Male Threaded Shut-off Plugs Absperrende Nippel mit BSP Außengewinde</p> | 6 | BSP 1/8" | T101.06 EUB 10 | 41 | 26 | | 9 | 17 |
| | 6 | BSP 1/4" | T101.06 EUB 13 | 38 | 26 | | 12 | 17 |
| | 9 | BSP 1/4" | T101.09 EUB 13 | 44 | 29 | | 12 | 19 |
| | 9 | BSP 3/8" | T101.09 EUB 17 | 40 | 30 | | 13 | 20 |
| | 12 | BSP 3/8" | T101.12 EUB 17 | 56 | 36 | | 13 | 24 |
| | 12 | BSP 1/2" | T101.12 EUB 21 | 52 | 36 | | 15 | 24 |
| | 16 | BSP 3/4" | T101.16 EUB 26 | 70 | 46 | | 16 | 32 |
| <p>BSPT & NPT Male Threaded Shut-off Plugs Absperrende Nippel mit BSPT & NPT Außengewinde</p> | 6 | BSPT 1/8" | T101.06 RUB 10 | 42 | 26 | | 9 | 17 |
| | 6 | NPT 1/8" | T101.06 TUB 10 | 42 | 26 | 9 | 17 | 17 |
| | 6 | BSPT 1/4" | T101.06 RUB 13 | 38 | 26 | | 13 | 17 |
| | 6 | NPT 1/4" | T101.06 TUB 13 | 38 | 26 | 13 | 17 | 17 |
| | 9 | BSPT 1/4" | T101.09 RUB 13 | 44 | 29 | | 13 | 19 |
| | 9 | NPT 1/4" | T101.09 TUB 13 | 44 | 29 | 13 | 19 | 19 |
| | 9 | BSPT 3/8" | T101.09 RUB 17 | 40 | 29 | | 13 | 19 |
| | 9 | NPT 3/8" | T101.09 TUB 17 | 40 | 29 | 13 | 19 | 19 |
| | 12 | BSPT 3/8" | T101.12 RUB 17 | 56 | 36 | | 13 | 24 |
| | 12 | NPT 3/8" | TT101.12 TUB 17 | 56 | 36 | 13 | 24 | 24 |
| | 12 | BSPT 1/2" | T101.12 RUB 21 | 52 | 36 | | 15 | 24 |
| 12 | NPT 1/2" | T101.12 TUB 21 | 52 | 36 | 15 | 24 | 24 | |
| 16 | BSPT 3/4" | T101.16 RUB 26 | 70 | 46 | | 16 | 32 | |
| 16 | NPT 3/4" | T101.16 TUB 26 | 70 | 46 | 16 | 32 | 32 | |

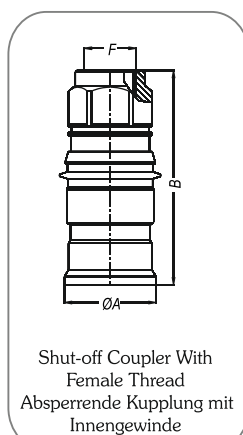
FRENCH System



| Couplers and Plugs Kupplungen und Nippel | NW Size/ Größe mm | Connection Anschlüsse (F/Ø) | Order No / Bestell Nr. | ØA | B | C | SW |
|---|-------------------------|-----------------------------------|------------------------|----|---|---|----|
|---|-------------------------|-----------------------------------|------------------------|----|---|---|----|

Standard version - Standardversion
Viton O-Ring (FPM)
Double Shut-off - Beidseitig absperrend

Options - Optionen
E - EPDM Seal - EPDM Dichtung
F - Through Flow - Ungehinderter Durchfluß

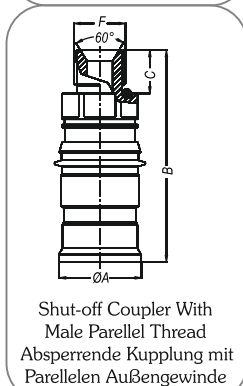


| | | | | | | | |
|----|-----------|-----------------------|----|-------|----|--|--|
| 20 | BSP 3/4" | T101.20 DGB 26 | 53 | 119.5 | 42 | | |
| 20 | NPT 3/4" | T101.20 NGB 26 | 53 | 119.5 | 42 | | |
| 20 | BSP 1" | T101.20 DGB 33 | 53 | 119.5 | 42 | | |
| 20 | NPT 1" | T101.20 NGB 33 | 53 | 119.5 | 42 | | |
| 25 | BSP 1" | T101.25 DGB 33 | 60 | 140 | 50 | | |
| 25 | BSP 1"1/4 | T101.25 DGB 42 | 60 | 140 | 50 | | |
| 38 | BSP 1"1/2 | T101.38 DGB 48 | 82 | 158 | 70 | | |
| 38 | BSP 2" | T101.38 DGB 60 | 82 | 158 | 70 | | |

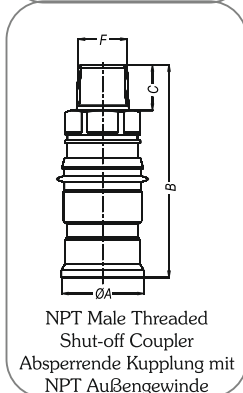
For optional orders please add the symbol of your option end of the order no.
Für optionale Bestellungen das Kennbuchstabe und Bestell-Nr bitte hinzufügen (Beispiel: T101.20 EG 33 E-F)

Material - Material

Coupler Body - Kupplungsgrundkörper : Brass - Messing
Sleeve - Hülse : Stainless Steel - Edelstahl
Valve - Ventil : Brass - Messing
Springs - Federn : Stainless Steel - Edelstahl
Balls - Kugeln : Stainless Steel - Edelstahl
Seals - Dichtungen : Viton (V)
Plug - Nippel : Stainless Steel - Edelstahl



| | | | | | | | |
|----|-----------|-----------------------|----|-----|----|----|--|
| 20 | BSP 1" | T101.20 EGB 33 | 53 | 132 | 20 | 42 | |
| 25 | BSP 1" | T101.25 EGB 33 | 60 | 144 | 20 | 50 | |
| 25 | BSP 1"1/4 | T101.25 EGB 42 | 60 | 144 | 21 | 50 | |
| 38 | BSP 1"1/2 | T101.38 EGB 48 | 82 | 167 | 24 | 70 | |



| | | | | | | | |
|----|-----------|-----------------------|----|-------|------|----|--|
| 20 | NPT 1" | T101.20 TGB 33 | 53 | 132 | 20 | 42 | |
| 25 | NPT 1" | T101.25 TGB 33 | 60 | 144 | 20 | 50 | |
| 25 | NPT 1"1/2 | T101.25 TGB 48 | 60 | 148.5 | 24.5 | 50 | |
| 38 | NPT 1"1/2 | T101.38 TGB 48 | 82 | 167 | 24.5 | 70 | |
| 38 | NPT 2" | T101.38 TGB 60 | 82 | 167 | 24.5 | 70 | |

FRENCH System

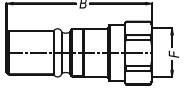
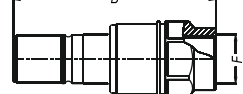
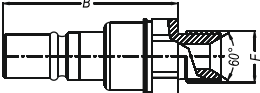
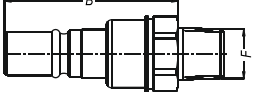
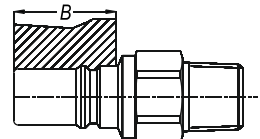


Standard version - Standardversion
 Viton O-Ring (FPM)
 Double Shut-off - Beideseitig absperrend
 Options - Optionen
 E - EPDM Seal - EPDM Dichtung
 F - Through Flow - Ungehinderter Durchfluß

For optional orders please add the symbol of your option end of the order no.
 Für optionale Bestellungen das Kennbuchstabe und Bestell-Nr bitte. hinzufügen (Beispiel: T101.20 EG 33 E-F)

Material - Material

Coupler Body - Kupplungsgrundkörper
 : Brass - Messing
 Sleeve - Hülse : Stainless Steel - Edelstahl
 Valve - Ventil : Brass - Messing
 Springs - Federn : Stainless Steel - Edelstahl
 Balls - Kugeln : Stainless Steel - Edelstahl
 Seals - Dichtungen : Viton (V)
 Plug - Nippel : Stainless Steel - Edelstahl

| Couplers and Plugs Kupplungen und Nippel | NW Size/ Größe mm | Connection Anschlüsse (F/Ø) | Order No / Bestell Nr. | ØA | B | C | SW |
|---|-------------------------|-----------------------------------|------------------------|-------|----|---|----|
|  Plug With Female Thread Nippel mit Innengewinde | 20 | BSP 1" | T101.20 DU 33 | 92 | 41 | | |
| | 25 | BSP 1" | T101.25 DU 33 | 100 | 41 | | |
| | 38 | BSP 1"1/2 | T101.38 DU 48 | 110 | 65 | | |
|  Shut-off Plug With Female Thread Absperrende Nippel mit Innengewinde | 20 | BSP 3/4" | T101.20 DUB 26 | 126.5 | 42 | | |
| | 20 | BSP 1" | T101.20 DUB 33 | 126.5 | 42 | | |
| | 20 | NPT 1" | T101.20 NUB 33 | 126.5 | 42 | | |
| | 25 | BSP 1" | T101.25 DUB 33 | 148.5 | 50 | | |
| | 25 | BSP 1"1/4 | T101.25 DUB 42 | 158 | 50 | | |
| | 38 | BSP 1"1/2 | T101.38 DUB 48 | 156 | 70 | | |
|  Shut-off Plug With Male Parallel Thread Absperrende Nippel mit Außengewinde | 20 | BSP 1" | T101.20 EUB 33 | 120 | 42 | | |
| | 25 | BSP 1" | T101.25 EUB 33 | 131 | 50 | | |
| | 25 | BSP 1"1/4 | T101.25 EUB 42 | 132 | 50 | | |
| | 38 | BSP 1"1/2 | T101.38 EUB 48 | 156 | 70 | | |
| | 38 | BSP 2" | T101.38 EUB 60 | 161 | 70 | | |
|  NPT Male Threaded Shut-off Plug Absperrende Nippel mit NPT Außengewinde | 20 | NPT 1" | T101.20 TUB 33 | 120 | 42 | | |
| | 25 | NPT 1" | T101.25 TUB 33 | 127 | 50 | | |
| | 25 | NPT 1"1/2 | T101.25 TUB 48 | 131.5 | 50 | | |
| | 38 | NPT 1"1/2 | T101.38 TUB 48 | 156 | 70 | | |
| | 38 | NPT 2" | T101.38 TUB 60 | 161 | 70 | | |
|  Connecting Size Anschlußgröße | 20 | | T101.20 | 60 | | | |
| | 25 | | T101.25 | 72.5 | | | |
| | 38 | | T101.38 | 75 | | | |

FRENCH System

T102 Flat Face & Non Spill Serie

T102 Leckagefreie Schnellkupplung

Applications:

- Cooling the mould and its components
- Conditioning the Thermoplastic Blow Moulding.
- Conditioning the Thermoplastic Injection Moulding
- Heat Transfer From The Origin With Mineral Oils (Up To 150°C)
- Heat Transfer From The Origin With Synthetic Oils (Up To 150°C)

Advantages:

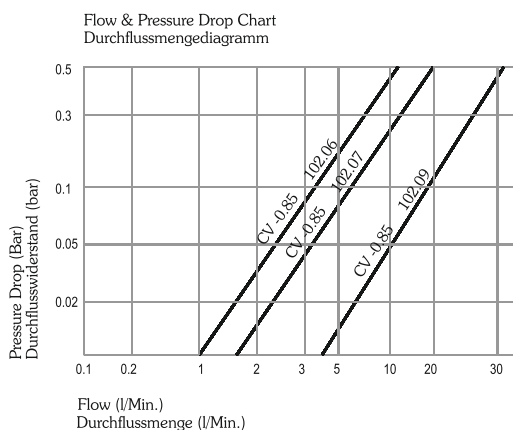
The flat faced T102 serie couplings prevent to enter any dirt into the circuit
Max. flow , Min. size
High frequency Connections
Excellent Reliability And Efficiency.

Vorteile:

Leckagefreie Ausführung mit ebener Stirinflache verhindern die Verschmutzung des Arbeitsplatzes
Optimale Durchflussmenge bei geringstem Platzbedarf
Hohe Frequenz
Hohe Zuverlässigkeit und hoher Wirkungsgrad

Anwendungen:

- 2 Kühlung von Werkzeugen und ihren Elementen
- 2 Konditionierung von Blaswerkzeugen
- 2 Konditionierung von Spritzgießwerkzeugen
- 2 Verbinden und Spritzgießwerkzeugen mit mineralischen Wärmeträgerölen
- 2 Verbinden und Trennen von Leitungen mit synthetischen Wärmeträgerölen



Double Shut-off
Beidseitig absperrend



T102.06 T102.07 T102.09

| | | | | |
|---|--------|---------------|---------------|---------------|
| Nominal Nennweite | Ø(mm.) | 6 | 7 | 9 |
| Max. Working Press. Max. Betriebsdruck | (bar) | 50 | 50 | 50 |
| Operating Temperature Betriebstemperatur | (°C) | -10°C, +150°C | -10°C, +150°C | -10°C, +150°C |

Synthetic oil / Synthetisches Öl

FRENCH System

Flat Face Type
Double Shut-off
Beidseitig Absperrbar



Flat Face Type
Flat Face Typ in Leakagefreier
Ausführung

Temperature Range-Temperaturbereich
-15°C +150°C (+5°F +302°F) Mineral Oil
-15°C +200°C (+5°F +392°F) Synthetic Oil

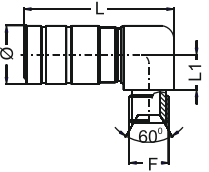
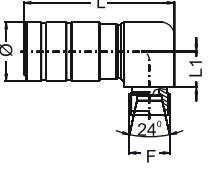
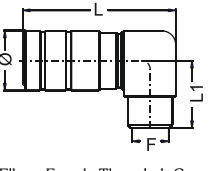
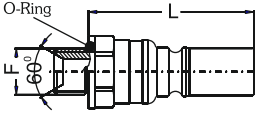
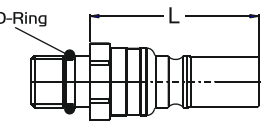
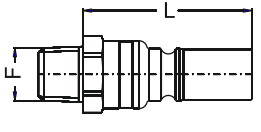
Working Pressure - Betriebsdruck
0 - 50 bar (0 - 725 PSI)

Flow capacity - Größen
NW - 6 / 102.06
NW - 7 / 102.07
NW - 9 / 102.09

Standard Version - Standardversion
Without plating - Ohne Beschichtung
O-Ring - Dichtung - Fluorocarbon (FPM)
Double shut-off - Beidseitig absperrend
Flat Face Type - Flat Face Typ

Material - Material

| | |
|--|---------------------------------|
| Coupler body - Kupplungsgrundkörper | :Stainless Steel - Edelstahl |
| Back Part - Rückwartiger | :Brass - Messing |
| Sleeve - Hülse | :Steel - Stahl |
| Valve - Ventil | :Brass - Messing |
| Locking O-Ring - Sprengring | :Stainless Steel - Edelstahl |
| Spring - Federn | :Stainless Steel - Edelstahl |
| Balls - Kugeln | :AISI 420 & Hardened - |
| Gehärtet AISI 420 | |
| Seals - Dichtungen | :Viton (V) - Viton (V) |
| Plug - Nippel | :Stainless Steel - Edelstahl |
| Plug Back Part - Hinterer Nippel | : Brass - Messing |

| Couplers and Plugs Kupplungen und Nippel | Connection Anschlüsse F | Order No / Bestell Nr. | Ø | L | L1 | SW |
|--|-------------------------------|-----------------------------|----|----|----|----|
|  <p>90° Elbow Male Threaded Coupler End Con. 60° 90° Kupplungen mit Aussengewinde 60°</p> | 06 BSP1/4" | T102.06 EGB 13-90 | 22 | 49 | 12 | 20 |
| | 06 BSP3/8" | T102.06 EGB 17-90 | 22 | 49 | 12 | 20 |
| | 07 BSP1/4" | T102.07 EGB 13-90 | 22 | 49 | 12 | 20 |
| | 09 BSP3/8" | T102.09 EGB 17-90 | 28 | 70 | 18 | 24 |
|  <p>90° Elbow Male Threaded Coupler End Con. 24° 90° Kupplungen mit Aussengewinde 24°</p> | 06 M16x1.5 | T102.06 EGB 16-10-90 | 22 | 47 | 12 | 20 |
| | 07 M 16x1.5 | T102.07 EGB 16-10-90 | 22 | 47 | 12 | 20 |
| | 09 M18x1.5 | T102.09 EGB 18-12-90 | 28 | 70 | 18 | 24 |
|  <p>90° Elbow Female Threaded Coupler 90° Kupplungen mit Innengewinde</p> | 06 BSP 1/4" | T102.06 DGB 13-90 | 22 | 49 | 12 | 20 |
| | 07 BSP 1/4" | T102.07 DGB 13-90 | 22 | 49 | 12 | 20 |
| | 09 BSP 3/8" | T102.09 DGB 17-90 | 28 | 70 | 18 | 24 |
|  <p>O-Ring Male Threaded Plug 60° Nippel mit Aussengewinde (60°)</p> | 06 BSP1/4" | T102.06 EUB 13 | | 42 | | 17 |
| | 07 BSP1/4" | T102.07 EUB 13 | | 42 | | 17 |
| | 09 BSP3/8" | T102.09 EUB 17 | | 54 | | 24 |
|  <p>O-Ring Male Threaded Plug (With O-Ring) Nippel mit Aussengewinde mit O-Ring</p> | 06 BSP1/4" | T102.06 EUB 13-01 | | | 43 | 17 |
| | 07 BSP1/4" | T102.07 EUB 13-01 | | | 43 | 17 |
|  <p>NPT Male Threaded Plug Nippel mit Aussengewinde mit NPT</p> | 06 NPT1/4" | T102.06 TUB 13 | | 42 | | 17 |
| | 07 NPT1/4" | T102.07 TUB 13 | | 42 | | 17 |
| | 09 NPT3/8" | T102.09 TUB 17 | | 55 | | 24 |

FRENCH System



Flat Face Type
Double Shut-off
Beidseitig Absperrbar



Flat Face Type
Flat Face Typ in Leckagefreier
Ausführung

| Couplers and Plugs Kupplungen und Nippel | Connection Anschlüsse F | Order No / Bestell Nr. | L | L1 | SW |
|---|-------------------------------|------------------------------|------|----|----|
| <p>Male Threaded Plug 60° Nippel mit Aussengewinde (60°)</p> | 06 BSP1/4" | T102.06 EUB 13-03 | 44 | | 17 |
| <p>Extension Male Threaded Plug (With O-Ring) Nippel mit Verlängerungs Aussengewinde mit O-Ring</p> | 06 BSP1/4" | T102.06 EUB 13-03x80 | 82 | | 17 |
| | 06 BSP1/4" | T102.06 EUB 13-03x110 | 110 | | 17 |
| <p>Conical Male Threaded Plug Nippel mit con. Aussengewinde mit</p> | 06 BSPT1/4" | T102.06 RUB 13-03 | 40 | | 17 |
| | 06 NPT1/4" | T102.06 TUB 13-03 | 41 | | 17 |
| <p>Male Threaded Plugs Nippel mit Aussengewinde</p> | 06 BSP1/4" | T102.06 EUB 13-04 | 46.5 | | 22 |
| | 06 BSP3/8" | T102.06 EUB 17-04 | 47 | | 22 |
| <p>90° Elbow Male Threaded Plug End Con. With O-Ring and nut. 90° Nippel mit Aussengewinde und Kontermutter</p> | 06 BSP1/4" | T102.06 AUB 13-90 | 64.5 | 37 | 17 |
| | 07 BSP1/4" | T102.07 AUB 13-90 | 64.5 | 37 | 17 |
| | 09 BSP3/8" | T102.09 AUB 17-90 | 59 | 34 | 17 |

Temperature Range-Temperaturbereich
-15°C +150°C (+5°F +302°F) Mineral Oil
-15°C +200°C (+5°F +392°F) Synthetic Oil

Working Pressure - Betriebsdruck
0 - 50 bar (0 - 725 PSI)

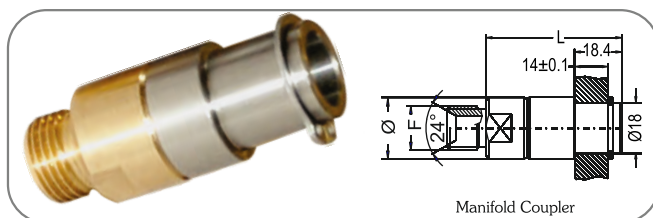
Flow capacity - Größen
NW - 6 / 102.06
NW - 7 / 102.07
NW - 9 / 102.09

Standart Version - Standardversion
Without plating - Ohne Beschichtung
O-Ring - Dichtung - Fluorocarbon (FPM)
Double shut-off - Beidseitig absperrend
Flat Face Type - Flat Face Typ

Material - Material

Coupler body - Kupplungsgrundkörper :Stainless Steel - Edelstahl
Back Part - Rückwärtiger Sleeve - Hülse :Brass - Messing
Valve - Ventil :Steel - Stahl
Locking O-Ring - Sprengnring :Brass - Messing
Springs - Federn :Stainless Steel - Edelstahl
Balls - Kugeln :AISI 420 & Hardened - Gehärtet AISI 420
Seals - Dichtungen :Viton (V) - Viton (V)
Plug - Nippel :Stainless Steel - Edelstahl
Plug Back Part - Hinterer Nippel : Brass - Messing

Coupler for Multi-Couplings



| Bağlantı Ölçüleri Connection F | Sipariş No - Order No | Ø | L | SW |
|--------------------------------------|----------------------------|----|----|----|
| 06 M16x1.5 | MMT102.06 EGB 16-10 | 22 | 44 | 22 |

FRENCH System

Interchangeability - Kompatibilität

Temperature Range-Temperaturbereich
-20°C +100°C (-4°F +212°F)Working Pressure - Betriebsdruck
0 - 10 bar (0 - 145 PSI)Flow capacity - Größen
NW - 106.25
NW - 106.33
NW - 106.50Standard version - Standardversion
Full Flow - Feier Durchfluss nicht absperrbar
Chrome plated - Verchromt
Ni - Nitrile NBR

Options - Optionen

E - EPDM (Ethylene-propylene)

V - Fluorocarbene Seal - Fluorocarbene Dichtung

For optional orders please add the symbol
of your option end of the order no.
Optionsbestellungen Kennbuchstabe
bitte hinzufügen (Beispiel: T106.25 DGF 33-E-V)

Using Area

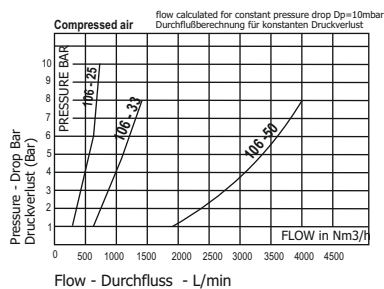
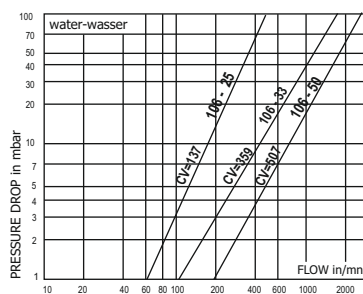
- On temperature regulation Applications with hot or cold water, oil etc.
- Injection moulding industries.
- On steam line.
- Suction coupling industries (plastic Granile carrier coupling)
- Full Flow passage

Anwendungsbereiche

- Zuleitung für die Temperierung - Druckluft
- Kühlung mit Öl oder Wasser
- Kunststoffindustrie
- Dampfanwendungen
- Kupplung für Materialbelförderung (Kunststoffgranulat)
- Voller Durchgang

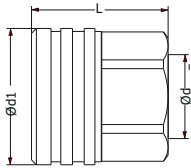
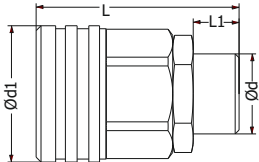
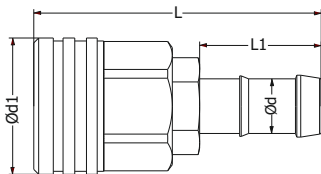
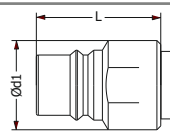
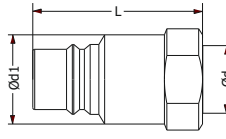
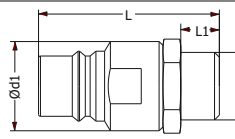
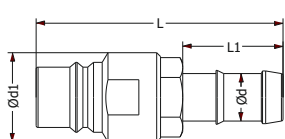
**Material - Material**

| | |
|--|--|
| Coupler body - Kupplungsgrundkörper | :Brass Chrome Plated - Messing Verchromt |
| Back Part -Rückwartiger | :Brass Nickel Plated - Messing Vernickelt |
| Sleeve - Hülse | :BrassChrome Plated - Messing Verchromt |
| Springs - Federn | :Stainless Steel - Edelstahl |
| Locking O-Ring-Sprengtring | :Stainless Steel - Edelstahl |
| Balls -Kugeln | :Stainless Steel - Edelstahl |
| Seals - Dichtungen | :Buna (M) - Buna (M) |
| Plug - Nippel | :AISI-420 Hardened- Gehärtet) |



FRENCH System



| Couplers and Plugs Kupplungen und Nippel | Body Size Graußen | Connection Anschlüsse Ød | Order No/Bestell Nr. | Ød1 | L | L1 | SW |
|---|----------------------|--------------------------------|----------------------|-----|-----|----|----|
|  <p>Socket female threaded Kupplung mit Innengewinde</p> | 25 | 1" | T106.25 DG 33 | 54 | 46 | | 57 |
| | 33 | 1.1/4" | T106.33 DG 42 | 65 | 54 | | 62 |
| | 42 | 1.1/2" | T106.42 DG 48 | 78 | 62 | | 50 |
| | 50 | 2" | T106.50 DG 60 | 89 | 77 | | 70 |
| | 63 | 2.1/2" | T106.63 DG 75 | 109 | 84 | | 90 |
| | 110 | 4" | T106.110 DG 113 | 180 | 175 | | |
|  <p>Male threaded Socket Kupplung mit Aussengewinde</p> | 25 | 1" | T106.25 EG 33 | 54 | 46 | 19 | 57 |
| | 33 | 1.1/4" | T106.33 EG 42 | 65 | 54 | 19 | 62 |
| | 42 | 1.1/2" | T106.42 EG 48 | 78 | 62 | 20 | 50 |
| | 50 | 2" | T106.50 EG 60 | 89 | 77 | 25 | 70 |
| | 63 | 2.1/2" | T106.63 EG 75 | 109 | 84 | 27 | 90 |
|  <p>Female threaded hose tail (chrome brass) Kupplung mit Innengewinde Schlauchtülle</p> | 25 | 25mm | T106.25 HG 33 | 54 | 117 | 50 | 41 |
| | 25 | 25mm | T106.25 HG 32 | 54 | 117 | 50 | 41 |
| | 33 | 33mm | T106.33 HG 32 | 65 | 122 | 50 | 50 |
| | 33 | 33mm | T106.33 HG 38 | 65 | 122 | 50 | 50 |
| | 42 | 42mm | T106.42 HG 44 | 78 | 126 | 50 | 60 |
| | 50 | 50mm | T106.50 HG 50 | 89 | 149 | 50 | 70 |
| | 63 | 63mm | T106.63 HG 63 | 109 | 179 | 50 | 90 |
|  <p>Cylindrical female thread plug Nippel mit Innengewinde zylindrisch</p> | 25 | 1" | 106.25 DU 33 | 45 | 41 | | 61 |
| | 33 | 1.1/4" | 106.33 DU 42 | 55 | 50 | | 66 |
| | 50 | 2" | 106.50 DU 60 | 75 | 71 | | 78 |
|  <p>Cylindrical male thread plug with valve Verschlussnippel mit Aussengewinde zylindrisch</p> | 25 | 1" | 106.25 DUB 33 | 45 | 88 | | 41 |
| | 33 | 1.1/4" | 106.33 DUB 42 | 64 | 105 | | 55 |
|  <p>Cylindrical male thread plug Nippel mit Aussengewinde zylindrisch</p> | 25 | 1" | 106.25 EU 33 | 45 | 88 | 19 | 41 |
| | 33 | 1.1/4" | 106.33 EU 42 | 55 | 95 | 19 | 50 |
| | 42 | 1.1/2" | 106.42 EU 48 | 65 | 106 | 20 | 60 |
| | 50 | 2" | 106.50 EU 60 | 65 | 118 | 25 | 71 |
| | 63 | 2.1/2" | 106.63 EU 75 | 75 | 130 | 27 | 84 |
|  <p>Standard hose tail plug Nippel mit gerader Standard - Schlauchanschluß</p> | 25 | 25mm | 106.25 HU 25 | 45 | 122 | 50 | 41 |
| | 25 | 25mm | 106.25 HU 33 | 45 | 122 | 50 | 41 |
| | 33 | 32mm | 106.33 HU 42 | 55 | 127 | 50 | 50 |
| | 33 | 38mm | 106.33 HU 38 | 55 | 127 | 50 | 50 |
| | 42 | 44mm | 106.42 HU 44 | 65 | 131 | 50 | 60 |
| | 50 | 52mm | 106.50 HU 52 | 75 | 149 | 50 | 71 |
| | 63 | 63mm | 106.63 HU 63 | 90 | 178 | 75 | 84 |

FRENCH System

Application areas

- High pressure hydraulic circuits
T103.08 - 0 - 450 bar (0 - 6226 PSI)
T103.12 - 0 - 350 bar (0 - 5076 PSI)
- Connection of hydraulic pumps, pistons, valves and distributors
- Connection static and dynamic test benches

Specifications

- Automatically one hand operation
- Free of bubbles
- The construction of T103 serie couplers don't cause any air bubbles on connection and disconnection of hydraulic systems
- Protected sealing parts and locking systems

Construction

- Main parts in chrome and hard steel
- Springs are from stainless steel
- Anti corrosion protection
- Nitrile seals

Nutzungsbereich

- Für hydraulische Kreisläufe mit Hochdruck
T103.08 - 0 - 450 bar (10 - 6226 PSI)
T103.12 - 0 - 350 bar (10 - 5076 PSI)
- Für Anschluß von hydraulischen Pumpen, Kolben, Ventilen sowie Multikupplungen
- Für statische oder dynamische Prüfstände

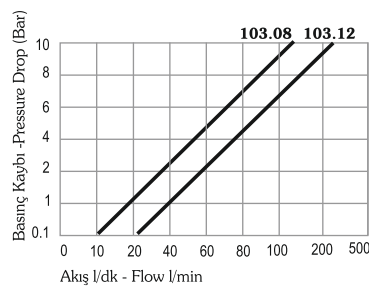
Eigenschaften

- Automatische Einhandbedingungen
- Keine Luftblasen während der Verriegelung und Entriegelung
- Hohe Effektivität wegen etwa null Druckverlusten
- Hohe Lebensdauer von Dichtung und Verriegelungssysteme

Konstruktive Eigenschaften

- Hauptbauelemente aus gehärtetem Stahl
- Kugeln und Feder aus Edelstahl
- hohe Verschleißfestigkeit
- O-Ring "Nitril" (NBR)

Ball-Lock Model
Kugelverriegelung



Temperature Range-Temperaturbereich
-20°C +100°C (-4°F +250°F)

Working Pressure - Betriebsdruck
103.08 - 0 - 450 bar (0 - 6226 PSI)
103.12 - 0 - 350 bar (0 - 5076 PSI)

Flow Capacity - Größen
NW - 103.08 - 8 mm (5/16")
NW - 103.12 - 12 mm (1/2")

Standard version - Standardversion
Main Parts of the Coupler -
Material Vorwiegend:
AISI 420 Chrome steel -
AISI 420 Chromstahl

Seal - Dichtung: Fluorocarbon - FPM (V)
Locking balls - Kugeln:
103.08 - 10 units-Stück
103.12 - 12 units-Stück
Plug - Nippel: AISI 420 Chrome
Steel Hardened - Gehärtet Chromstahl

Options - Optionen
Seal - Dichtung

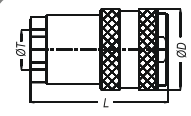
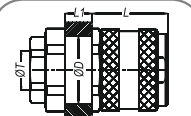
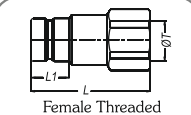
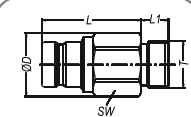
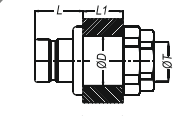
W - Perfluoroelastomer FFKM
E - Ethylene-propylene EPDM
Ni - Nitrile NBR

For optional orders please add the symbol of your option end of the order no.
Optionsbestellungen Kennbuchstabe bitte hinzufügen (Beispiel: T103.08DGB 21-W)

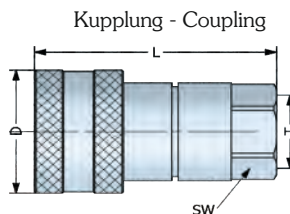
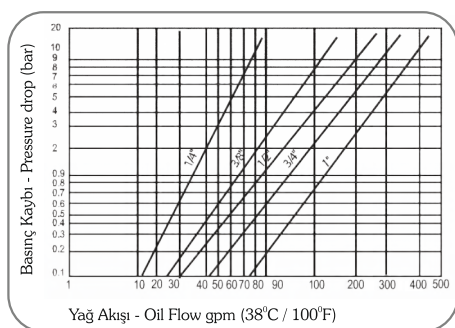
* Left hand thread
Linksgewinde

If the circuits subjected to vibration or pressure, use the T103 serie coupling with screw-down locking or safety type

Für die Kreislagen, die Vibration oder Druck unterworfen sind, bitte die Sicherheitsskupplung verwenden.

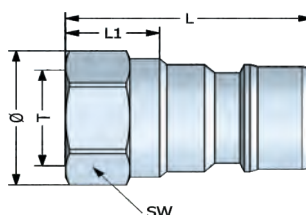
| Couplers and Plugs Kupplungen und Nippel | Body Size Baugröße | Connection Anschlüsse ØT | Order No / Bestell Nr. | | L | L1 | ØD | SW |
|---|-----------------------|--------------------------------|------------------------|------------------------------------|----|----|------------|----|
| | | | Standard | Safety Type Sicherheitskupplung | | | | |
|  Female Threaded Coupler Kupplung mit Innengewinde | 08 | 1/2"BSP | T103.08 DGB 21 | T103.08 DGBS 21 | 72 | | 40 | 30 |
| | 12 | 3/4"BSP | T103.12 DGB 26 | T103.12 DGBS 26 | 89 | | 50 | 41 |
|  Female Threaded Built-in Coupler Kupplung mit Schottverschraubung | 08 | 1/2"BSP | T103.08 MGB 21 | T103.08 MGBS 21 | 41 | | 13 M34x1* | |
| | 12 | 3/4"BSP | T103.12 MGB 26 | T103.12 MGBS 26 | 47 | | 22 M48x1.5 | |
|  Female Threaded shut-off Plug Nippel - automatisch absperrend | 08 | 1/2"BSP | T103.08 DUB 21 | | 63 | 20 | | 30 |
| | 12 | 3/4"BSP | T103.12 DUB 26 | | 74 | 25 | | 41 |
|  Male Threaded shut-off Plug Verschlußnippel mit Außengewinde | 08 | 1/2"BSP | T103.08 EUB 21 | | 51 | 14 | 33 | 30 |
| | 08 | M22x1.5 | T103.08 EUBM 22 | | 51 | 14 | 33 | 30 |
| | 08 | M24x1.5 | T103.08 EUBM 24 | | 51 | 14 | 33 | 30 |
|  Built-in Plug Nippelmit Schottverschraubung | 08 | 1/2"BSP | T103.08 MUB 21 | | 24 | 13 | M26x1* | |
| | 12 | 3/4"BSP | T103.12 MUB 26 | | 30 | 22 | M36x1 | |

FRENCH System

HYDRAULISCHE KUPPLUNGEN
HYDRAULIC COUPLINGSKupplung Mit Innengewinde
Female Threaded CouplingKompatibilität - Interchangeability:
FASTER NL SERIES,According to request is manufactured
wird auf Antrag Hergestellt
from AISI 303 and AISI 316TIStandard version - Standard version
Voller Fluss - Durchfluss - Full Flow - Straight flow
Stahl - Steel
Zinkbeschichtetes, gelbes Chrom -
Zinc Plated with yellow chromate -
Nitrile NBRArbeitstemperatur - Temperature Range :
-25 OC +125 OC / -13 OF +257 OF
Standard Dichtung - With standard seals -
: Nitrile NBR**Material - Material**Kupplungskörper -
Coupler Body : Stahl - Steel
Deckel - Sleeve : Stahl - Steel
Ventil - Valve : Stahl - Steel
Feder - Springs : Stahl - Steel
Kugeln - Balls : Edelstahl -
Stainless Steel
Dichtung - Seals : Nitrile NBRAchtung: Nur die Nennwerte stimmen mit der
Spitze und dem Körper übereinAttention: Only plug and socket with the same
thread fit together.

| Anschlüsse Connection T | Bestell Nr Order No | SW | | L | | Ø | | Working Pressure Arbeitsdruck | |
|-------------------------------|------------------------|----|--------|------|--------|------|--------|----------------------------------|------|
| | | mm | inches | mm | inches | mm | inches | Bar | PSI |
| BSPP 1/4" | T080 DGF 13 | 19 | 0.75 | 50 | 1.97 | 27 | 1.06 | 350 | 5075 |
| NPTF 1/4" | T080 NGF 13 | 19 | 0.75 | 50 | 1.97 | 27 | 1.06 | 350 | 5075 |
| BSPP 3/8" | T080 DGF 17 | 24 | 0.94 | 59.5 | 2.34 | 33 | 1.30 | 300 | 4350 |
| NPTF 3/8" | T080 NGF 17 | 24 | 0.94 | 59.5 | 2.34 | 33 | 1.30 | 300 | 4350 |
| BSPP 1/2" | T080 DGF 21 | 27 | 1.06 | 66 | 2.60 | 38 | 1.49 | 250 | 3625 |
| NPTF 1/2" | T080 NGF 21 | 27 | 1.06 | 66 | 2.60 | 38 | 1.49 | 250 | 3625 |
| BSPP 3/4" | T080 DGF 26 | 34 | 1.34 | 84 | 3.30 | 47.4 | 1.86 | 250 | 3625 |
| NPTF 3/4" | T080 NGF 26 | 34 | 1.34 | 84 | 3.30 | 47.4 | 1.86 | 250 | 3625 |
| BSPP 1" | T080 DGF 33 | 41 | 1.62 | 96.5 | 3.8 | 55 | 2.17 | 230 | 3335 |
| NPTF 1" | T080 NGF 33 | 41 | 1.62 | 96.5 | 3.8 | 55 | 2.17 | 230 | 3335 |

Nippel - Plug



Nippel mit Innengewinde - Female Thread Plug

| Anschlüsse Connection T | Bestell Nr. Order No | SW | | L | | Ø | | Arbeitsdruck Working Pressure | |
|-------------------------------|-------------------------|----|--------|----|--------|----|--------|----------------------------------|------|
| | | mm | inches | mm | inches | mm | inches | Bar | PSI |
| BSPP 1/4" | T080 DUF 13 | 19 | 0.75 | 33 | 1.30 | 21 | 0.83 | 350 | 5075 |
| NPTF 1/4" | T080 NUF 13 | 19 | 0.75 | 33 | 1.30 | 21 | 0.83 | 350 | 5075 |
| BSPP 3/8" | T080 DUF 17 | 24 | 0.94 | 39 | 1.54 | 27 | 1.06 | 300 | 4350 |
| NPTF 3/8" | T080 NUF 17 | 24 | 0.94 | 39 | 1.54 | 27 | 1.06 | 300 | 4350 |
| BSPP 1/2" | T080 DUF 21 | 27 | 1.06 | 44 | 1.73 | 30 | 1.18 | 250 | 3625 |
| NPTF 1/2" | T080 NUF 21 | 27 | 1.06 | 44 | 1.73 | 30 | 1.18 | 250 | 3625 |
| BSPP 3/4" | T080 DUF 26 | 36 | 1.41 | 55 | 2.16 | 38 | 1.05 | 250 | 3625 |
| NPTF 3/4" | T080 NUF 26 | 36 | 1.41 | 55 | 2.16 | 38 | 1.05 | 250 | 3625 |
| BSPP 1" | T080 DUF 33 | 41 | 1.61 | 63 | 2.48 | 45 | 1.77 | 230 | 3335 |
| NPTF 1" | T080 NUF 33 | 41 | 1.61 | 63 | 2.48 | 45 | 1.77 | 230 | 3335 |

FRENCH System

HYDRAULIC COUPLINGS
HYDRAULISCHE KUPPLUNGEN

Please ask for Interchangeability
Kompatibilität zu anderen
Anbietern auf Anfrage
ISO 16028

Temperature Range-Temperaturbereich
-20°C +100°C (-4°F +212°F)

Standard version - Standardversion
Steel - Stahl

Zinc plated with white chromate -
Verzinkt mit gelb chromatier
Nitrile - NBR (Ni)

Working Pressure - Betriebsdruck

| Body Size Baugröße | Max. Working Pres. Coupled Max. Betriebsdruck (gekuppelt) | Burst Pres. Coupled Betriebsdruck (gekuppelt) | Burst Pres. Plug Betriebsdruck Nippel | Burst Pres. Socket Betriebsdruck Kupplung |
|-----------------------|--|--|--|--|
| T072.06 | 325 | 1200 | 1200 | 700 |
| T072.10 | 325 | 1200 | 1200 | 700 |
| T072.12 | 325 | 1200 | 1200 | 700 |
| T072.16 | 270 | 1100 | 1100 | 700 |
| T072.19 | 270 | 950 | 950 | 500 |
| T072.25 | 250 | 900 | 950 | 500 |

Material - Material

Coupler Body

| | |
|-------------------------------|-----------------------------|
| Kupplungsgrundkörper | :Steel - Stahl |
| Back Part-Rückwartiger | :Steel - Stahl |
| Sleeve - Hülse | :Steel - Stahl |
| Valve - Ventil | :Steel - Stahl |
| Springs - Federn | :Spring Steel - Federstahl |
| Locking O-Ring- Sprengring | :Spring Steel-Federstahl |
| Balls - Kugeln | :Stainless Steel- Edelstahl |
| Seals - Dichtungen | :Nitrile - NBR (Ni) |
| Plug - Nippel | :Steel - Stahl |

Sleeve :

Hardened and solid barstock construction for a quality coupling giving maximum resistance to damage from hydraulic and mechanical shock. Performs as a spring loaded "locking latch".

Safety sleeve lock :

When the coupling is dragged along the ground to prevent accidental disconnection. Sleeve is rotated to engage the lock.

Locking balls :

A large number of locking balls distribute the work load evenly while providing alignment to reduce hose torque and prolong hose life.

Valve :

When connection or disconnection of T072 series employ flush valving.

Seal :

The seal is constructed for high pressure and therefore manufactured from NBR.

Male part :

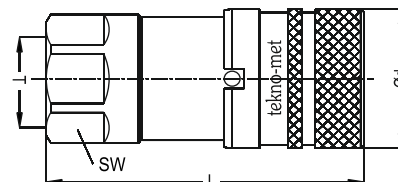
Male is manufactured from steel and allowed one hand operation.



ISO 16028



Female Threaded Coupler
Kupplung mit Innengewinde

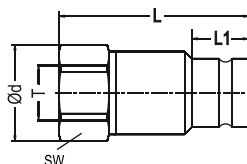


| Body Size Baugröße Ø | Connection Anschlüsse T | Order No Bestell Nr. | SW | L Lenght Länge | Ød Dia. |
|----------------------------|-------------------------------|-------------------------|----|----------------------|------------|
| 1/4" 6 | BSP 1/4" | T072.06 DGB 13 | 27 | 53 | 28 |
| | NPT 1/4" | T072.06 NGB 13 | 27 | 53 | 28 |
| | 9/16" UNF-18 | T072.06 UGB 14 | 27 | 56 | 28 |
| 3/8" 10 | BSP 3/8" | T072.10 DGB 17 | 27 | 62 | 30.5 |
| | BSP 1/2" | T072.10 DGB 21 | 27 | 71 | 30.5 |
| | NPT 3/8" | T072.10 NGB 17 | 27 | 62 | 30.5 |
| | NPT 1/2" | T072.10 NGB 21 | 27 | 71 | 30.5 |
| | UNF 9/16"-18 | T072.10 UGB 14 | 27 | 62 | 30.5 |
| | UNF 3/4"-16 | T072.10 UGB 19 | 27 | 71 | 30.5 |
| 1/2" 12 | BSP 1/2" | T072.12 DGB 21 | 35 | 83 | 39 |
| | NPT 1/2" | T072.12 NGB 21 | 35 | 83 | 39 |
| | UNF 7/8"-14 | T072.12 UGB 22 | 35 | 83 | 39 |
| | BSP 3/4" | T072.12 DGB 26 | 35 | 83 | 39 |
| | NPT 3/4" | T072.12 NGB 26 | 35 | 83 | 39 |
| | UNF 1.1/16"-12 | T072.12 UGB 27 | 35 | 83 | 39 |
| 5/8" 16 | BSP 3/4" | T072.16 DGB 26 | 36 | 86 | 42 |
| | NPT 3/4" | T072.16 NGB 26 | 36 | 86 | 42 |
| | UNF 1.1/16"-12 | T072.16 UGB 27 | 36 | 86 | 42 |
| 3/4" 19" | BSP 1" | T072.19 DGB 33 | 41 | 97 | 48 |
| | NPT 1" | T072.19 NGB 33 | 41 | 97 | 48 |
| | UNF 1.5/16"-12 | T072.19 UGB 33 | 41 | 97 | 48 |
| 1 " 25 | BSP 1.1/4" | T072.25 DGB 42 | 55 | 106 | 55 |
| | NPT 1.1/4" | T072.25 NGB 42 | 55 | 106 | 55 |
| | UNF 1.5/8"-12 | T072.25 UGB 41 | 55 | 106 | 55 |

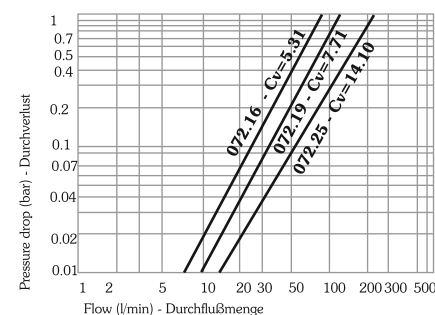
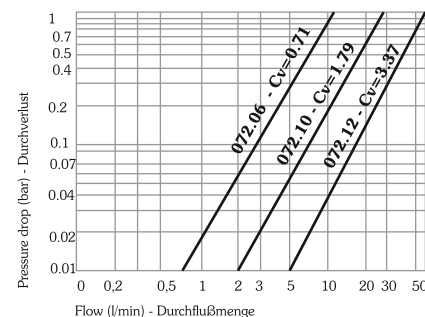
FRENCH System

HYDRAULIC COUPLINGS
HYDRAULISCHE KUPPLUNGEN

ISO 16028

Female Threaded Plug
Nippel mit Innengewinde

| Body Size Baugröße Ø | Connection Anschlüsse T | Order No Bestell Nr. | SW | L Lenght Länge | L1 | Ød Dia. |
|----------------------------|-------------------------------|-------------------------|------|----------------------|----|------------|
| 1/4" 6 | BSP 1/4" | T072.06 DUB 13 | 22 | 48 | 12 | 24 |
| | NPT 1/4" | T072.06 NUB 13 | 22 | 48 | 12 | 24 |
| | UNF 9/16"-18 | T072.06 UUB 14 | 22 | 51 | 12 | 24 |
| 3/8" 10 | BSP 3/8" | T072.10 DUB 17 | 24 | 62 | 17 | 27.4 |
| | BSP 1/2" | T072.10 DUB 21 | 27 | 68.5 | 17 | 30 |
| | NPT 3/8" | T072.10 NUB 17 | 24 | 62 | 17 | 27.4 |
| | NPT 1/2" | T072.10 NUB 21 | 27 | 68.5 | 17 | 30 |
| | UNF 9/16"-18 | T072.10 UUB 14 | 24 | 62 | 17 | 27.4 |
| UNF 3/4"-16 | T072.10 UUB 19 | 27 | 68.5 | 17 | 30 | |
| 1/2" 12 | BSP 1/2" | T072.12 DUB 21 | 30 | 69 | 18 | 33 |
| | NPT 1/2" | T072.12 NUB 21 | 30 | 69 | 18 | 33 |
| | UNF 7/8"-14 | T072.12 UUB 22 | 30 | 69 | 18 | 33 |
| | BSP 3/4" | T072.12 DUB 26 | 35 | 69 | 18 | 39 |
| | NPT 3/4" | T072.12 NUB 26 | 35 | 69 | 18 | 39 |
| UNF 1.1/16"-12 | T072.12 UUB 27 | 35 | 69 | 18 | 39 | |
| 5/8" 16 | BSP 3/4" | T072.16 DUB 26 | 35 | 75 | 18 | 39 |
| | NPT 3/4" | T072.16 NUB 26 | 35 | 75 | 18 | 39 |
| | UNF 1.1/16"-12 | T072.16 UUB 27 | 35 | 75 | 18 | 39 |
| 3/4" 19 | BSP 1" | T072.19 DUB 33 | 46 | 84 | 24 | 50 |
| | NPT 1" | T072.19 NUB 33 | 46 | 84 | 24 | 50 |
| | UNF 1.5/16"-12 | T072.19 UUB 33 | 46 | 84 | 24 | 50 |
| 1 " 25 | BSP 1.1/4" | T072.25 DUB 42 | 55 | 90 | 24 | 60 |
| | NPT 1.1/4" | T072.25 NUB 42 | 55 | 90 | 24 | 60 |
| | UNF 1.5/8"-12 | T072.25 UUB 41 | 55 | 90 | 24 | 60 |



Test oil viscosity / Test hydrauliköl der viskosität :
Oil - Öl ISO Vg32
Temp. : 40°C Viscosity: 28.8 - 35.2 cst.
Direction of flow : Socket to Plug

Material : Stahl

Schiebehülse:

Die Schiebehülse ist aus hochfestem Stahl gefertigt. Sie ist extrem widerstandsfähig gegen Druckstöße sowie gegen mechanische Beschädigung.

Sicherheitsverriegelung :

Durch Verdrehen der Schiebehülse kann der Verriegelungsmechanismus der Schiebehülse blockiert werden, wodurch ein unbeabsichtigtes Entkuppeln verhindert wird.

Verriegelungskugeln :

Ein große Anzahl von Kugeln verteilt die Last gleichmäßig auf die Verriegelungsbahn.

Ventil : Die Flachdichtventile zeichnen sich beim Kuppeln und Entkuppeln durch minimalen Leckölverlust aus.

Dichtungen :

Die Dichtungen sind speziell für hohe Drücke konzipiert. Standardmäßig ist die Serie T072 mit NBR-Dichtungen (Nitril) ausgerüstet.

Stecker : Die Kupplungsstecker sind aus hochfestem Stahl gefertigt.

Kupplungsvorgang :

Die Kupplung kann bei befestigter Muffe mit einer Hand betätigt werden.

FRENCH System

HYDRAULIC COUPLINGS
HYDRAULISCHE KUPPLUNGEN

ISO 7241-A



Interchangeability-Kompatibilität:
FASTER ANV SERIES, STUCCHI BIR SERIES,
INTERTRACO A SERIES,
SAFEWAY S565, HANSEN
HA 15000 (GROMELLE)

According to request is manufactured
from AISI 303 and AISI 316TI
Auf Anfragen in Edelstahl :
AISI 303 und AISI 316TI

Standard version - Standardversion
Double Shut off - doppelt absperbar
Steel - Stahl

Zinc Plated with yellow chromate -
Gelb verzinkt chromatiert
Buna (M) - Buna (M)

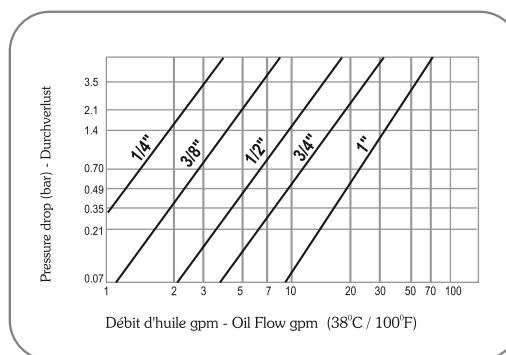
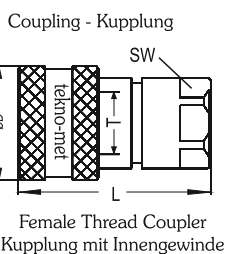
Temperature Range - Temperaturbereich :
-25 OC +125 OC / -13 OF +257 OF
With standard seals -
Mit standard Dichtung : Buna (M) NBR

Material - Material

Coupler Body-
Kupplungsgrundkörper : Zinc Plated - verzinkt
Sleeve - Hülse : Steel - Stahl
Valve - Ventil : Steel - Stahl
Springs - Federn : Steel - Stahl
Balls - Kugeln : Stainless Steel -
Edelstahl
Seals - Dichtungen : Nitrile (Ni) - NBR (Ni)

Attention: Only plug and socket with the same
thread fit together.

Achtung : Nur Nippel und Fassungen mit
demselben Gewinde passen zusammen



| Connection Anschlüsse T | Order No Bestell Nr. | SW | | L | | Ø | | Working Pressure Betriebsdruck | |
|-------------------------------|-------------------------|----|--------|-------|--------|----|--------|-----------------------------------|------|
| | | mm | inches | mm | inches | mm | inches | Bar | PSI |
| BSPP 1/4" | T076 DGB 13 | 19 | 0.75 | 48 | 1.86 | 25 | 0.98 | 400 | 5800 |
| NPTF 1/4" | T076 NGB 13 | 19 | 0.75 | 48 | 1.86 | 25 | 0.98 | 400 | 5800 |
| BSPP 3/8" | T076 DGB 17 | 22 | 0.87 | 57 | 2.24 | 31 | 1.22 | 300 | 4350 |
| NPTF 3/8" | T076 NGB 17 | 22 | 0.87 | 57 | 2.24 | 31 | 1.22 | 300 | 4350 |
| BSPP 1/2" | T076 DGB 21 | 27 | 1.06 | 66 | 2.60 | 38 | 1.49 | 250 | 3625 |
| NPTF 1/2" | T076 NGB 21 | 27 | 1.06 | 66 | 2.60 | 38 | 1.49 | 250 | 3625 |
| BSPP 3/4" | T076 DGB 26 | 34 | 1.34 | 82.5 | 3.25 | 48 | 1.88 | 250 | 3625 |
| NPTF 3/4" | T076 NGB 26 | 34 | 1.34 | 82.5 | 3.25 | 48 | 1.88 | 250 | 3625 |
| BSPP 1" | T076 DGB 33 | 41 | 1.62 | 100 | 3.94 | 56 | 2.2 | 230 | 3335 |
| NPTF 1" | T076 NGB 33 | 41 | 1.62 | 100 | 3.94 | 56 | 2.2 | 230 | 3335 |
| BSPP 1.1/4" | T076 DGB 42 | 50 | 1.96 | 115 | 4.52 | 70 | 2.75 | 220 | 3190 |
| NPTF 1.1/4" | T076 NGB 42 | 50 | 1.96 | 115 | 4.52 | 70 | 2.75 | 220 | 3190 |
| BSPP 1.1/2" | T076 DGB 48 | 60 | 2.36 | 131.5 | 5.17 | 84 | 3.30 | 200 | 2900 |
| NPTF 1.1/2" | T076 NGB 48 | 60 | 2.36 | 131.5 | 5.17 | 84 | 3.30 | 200 | 2900 |

HYDRAULIC COUPLINGS HYDRAULISCHE KUPPLUNGEN



ISO 7241-A

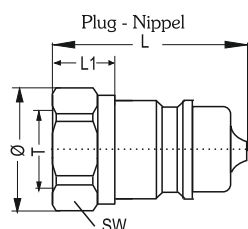


Functions :

If the socket and plug valves seal instantly, automatically shutting off fluid flow to prevent leakage. If the socket and plug valves push together, opening to permit free flow of fluid through coupler. O-ring in the socket seals the plug surface preventing any leakage.

Funktionen :

Wenn Kupplung und Nippel entkuppelt werden, verschliessen die Ventildichtungen sofort automatisch den Flüssigkeitsfluss und ein Auslaufen der Flüssigkeit wird verhindert. Wenn Kupplung und Nippelenteile gekuppelt werden, erlaubt dies das Durchfließen der Flüssigkeit durch die Kupplung. Der O-Ring in den Nippeldichtungen an der Nippeloberfläche verhindert jegliche Leckage.



Female Thread Plug
Nippel mit Innengewinde

| Connection Anschlüsse T | Order No Bestell Nr. | SW | | L | | L1 | | Ø | | Working Pressure Betriebsdruck | |
|-------------------------------|-------------------------|----|--------|------|--------|------|--------|------|--------|-----------------------------------|------|
| | | mm | inches | mm | inches | mm | inches | mm | inches | Bar | PSI |
| BSPP 1/4" | T076 DUB 13 | 19 | 0.75 | 38.6 | 1.52 | 14.5 | 0.57 | 22 | 0.86 | 400 | 5800 |
| NPTF 1/4" | T076 NUB 13 | 19 | 0.75 | 38.6 | 1.52 | 14.5 | 0.57 | 22 | 0.86 | 400 | 5800 |
| BSPP 3/8" | T076 DUB 17 | 23 | 0.91 | 39 | 1.54 | 18 | 0.70 | 26.5 | 1.04 | 300 | 4350 |
| NPTF 3/8" | T076 NUB 17 | 23 | 0.91 | 39 | 1.54 | 18 | 0.70 | 26.5 | 1.04 | 300 | 4350 |
| BSPP 1/2" | T076 DUB 21 | 27 | 1.06 | 44 | 1.73 | 22 | 0.92 | 31 | 1.22 | 250 | 3625 |
| NPTF 1/2" | T076 NUB 21 | 27 | 1.06 | 44 | 1.73 | 22 | 0.92 | 31 | 1.22 | 250 | 3625 |
| BSPP 3/4" | T076 DUB 26 | 35 | 1.38 | 55 | 2.17 | 27.5 | 1.08 | 40 | 1.58 | 250 | 3625 |
| NPTF 3/4" | T076 NUB 26 | 35 | 1.38 | 55 | 2.17 | 27.5 | 1.08 | 40 | 1.58 | 250 | 3625 |
| BSPP 1" | T076 DUB 33 | 41 | 1.62 | 66 | 2.60 | 34 | 1.33 | 47 | 1.85 | 230 | 3335 |
| NPTF 1" | T076 NUB 33 | 41 | 1.62 | 66 | 2.60 | 34 | 1.33 | 47 | 1.85 | 230 | 3335 |
| BSPP 1.1/4" | T076 DUB 42 | 50 | 1.96 | 73 | 2.87 | 29 | 1.14 | 55.5 | 2.18 | 220 | 3190 |
| NPTF 1.1/4" | T076 NUB 42 | 50 | 1.96 | 73 | 2.87 | 29 | 1.14 | 55.5 | 2.18 | 220 | 3190 |
| BSPP 1.1/2" | T076 DUB 48 | 60 | 2.36 | 83 | 3.26 | 32 | 1.25 | 66 | 2.60 | | |
| NPTF 1.1/2" | T076 NUB 48 | 60 | 2.36 | 83 | 3.26 | 32 | 1.25 | 66 | 2.60 | | |

HYDRAULIC COUPLINGS HYDRAULISCHE KUPPLUNGEN

ISO 7241-A

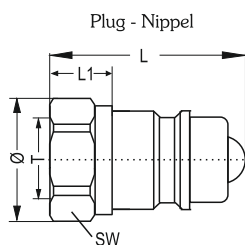


Functions :

If the socket and plug valves seal instantly, automatically shutting off fluid flow to prevent leakage. If the socket and plug valves push together, opening to permit free flow of fluid through coupler. O-ring in the socket seals the plug surface preventing any leakage.

Funktionen :

Wenn Kupplung und Nippel entkuppelt werden, verschliessen die Ventildichtungen sofort automatisch den Flüssigkeitsfluss und ein Auslaufen der Flüssigkeit wird verhindert. Wenn Kupplung und Nippelenteile gekuppelt werden, erlaubt dies das Durchfließen der Flüssigkeit durch die Kupplung. Der O-Ring in den Nippeldichtungen an der Nippeloberfläche verhindert jegliche Leckage.



Female Thread Plug
Nippel mit Innengewinde



| Connection Anschlüsse T | Order No Bestell Nr. | SW | | L | | L1 | | Ø | | Working Pressure Betriebsdruck | |
|-------------------------------|-------------------------|----|--------|------|--------|------|--------|------|--------|-----------------------------------|------|
| | | mm | inches | mm | inches | mm | inches | mm | inches | Bar | PSI |
| BSPP 1/4" | T078 DU 13 | 19 | 0.75 | 33 | 1.30 | 17 | 0.67 | 22 | 0.86 | 250 | 3625 |
| NPTF 1/4" | T078 NU 13 | 19 | 0.75 | 33 | 1.30 | 17 | 0.67 | 22 | 0.86 | 250 | 3625 |
| BSPP 3/8" | T078 DU 17 | 24 | 0.94 | 39 | 1.54 | 20.5 | 0.80 | 25.4 | 1 | 250 | 3625 |
| NPTF 3/8" | T078 NU 17 | 24 | 0.94 | 39 | 1.54 | 20.5 | 0.80 | 25.4 | 1 | 250 | 3625 |
| BSPP 1/2" | T078 DU 21 | 27 | 1.06 | 44 | 1.73 | 22 | 0.87 | 31 | 1.22 | 200 | 2900 |
| NPTF 1/2" | T078 NU 21 | 27 | 1.06 | 44 | 1.73 | 22 | 0.87 | 31 | 1.22 | 200 | 2900 |
| BSPP 3/4" | T078 DU 26 | 34 | 1.34 | 53.5 | 2.11 | 29 | 1.14 | 39 | 1.53 | 170 | 2465 |
| NPTF 3/4" | T078 NU 26 | 34 | 1.34 | 53.5 | 2.11 | 29 | 1.14 | 39 | 1.53 | 170 | 2465 |
| BSPP 1" | T078 DU 33 | 41 | 1.62 | 66 | 2.60 | 34 | 1.34 | 47 | 1.85 | 220 | 3190 |
| NPTF 1" | T078 NU 33 | 41 | 1.62 | 66 | 2.60 | 34 | 1.34 | 47 | 1.85 | 220 | 3190 |

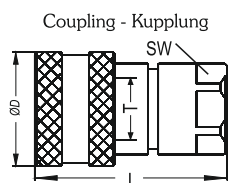
FRENCH System



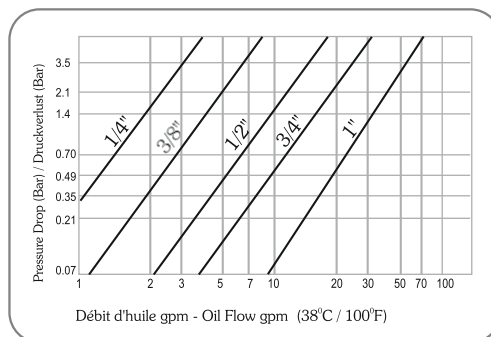
HYDRAULIC COUPLINGS

HYDRAULISCHE KUPPLUNGEN

ISO 7241-A



Plastic Hose Coupler
Kupplung mit Kunststoffschlauch



Interchangeability - Kompatibilität
Austauschbarkeit AISI 303 ou AISI 316 Ti.
FASTER NS SERIES - INTERTRACO N SERIES,
PARKER 4050, 4010, STUCCHI IR SERIES, SAFEWAY
S SERIES
According to request is manufactured from AISI 303 and
AISI 316Ti

Version Standard - Standardversion
Double Shut off - Beidseitig absperbar
Steel Zinc Plated - Sthl- verzinkt
Seal - Dichtung: Nitrile (Ni) - NBR (Ni)

Temperature Range - Temperaturbereich :
-25 OC +125 OC / -13 OF +257 OF
With standard seals -
Mit standard Dichtung : Buna (M) NBR

| Connection Anschlüsse T | Order No Bestellnr. | SW | | L | | Ø | | Working Pressure Betriebsdruck | |
|-------------------------------|------------------------|------|--------|------|--------|------|--------|-----------------------------------|-----|
| | | mm | inches | mm | inches | mm | inches | Bar | PSI |
| BSPP 1/4" | T078 DGB 13 19 | 0.75 | 50 | 1.97 | 27 | 1.06 | 250 | 3625 | |
| NPTF 1/4" | T078 NGB 13 19 | 0.75 | 50 | 1.97 | 27 | 1.06 | 250 | 3625 | |
| BSPP 3/8" | T078 DGB 17 24 | 0.94 | 39 | 1.54 | 33 | 1.30 | 250 | 3625 | |
| NPTF 3/8" | T078 NGB 17 24 | 0.94 | 39 | 1.54 | 33 | 1.30 | 250 | 3625 | |
| BSPP 1/2" | T078 DGB 21 27 | 1.06 | 66 | 2.60 | 38 | 1.50 | 200 | 2900 | |
| NPTF 1/2" | T078 NGB 21 27 | 1.06 | 66 | 2.60 | 38 | 1.50 | 200 | 2900 | |
| BSPP 3/4" | T078 DGB 26 34 | 1.34 | 82.5 | 3.25 | 48 | 1.89 | 170 | 2465 | |
| NPTF 3/4" | T078 NGB 26 34 | 1.34 | 82.5 | 3.25 | 48 | 1.89 | 170 | 2465 | |
| BSPP 1" | T078 DGB 33 41 | 1.62 | 100 | 3.94 | 66 | 2.60 | 220 | 3190 | |
| NPTF 1" | T078 NGB 33 41 | 1.62 | 100 | 3.94 | 66 | 2.60 | 220 | 3190 | |

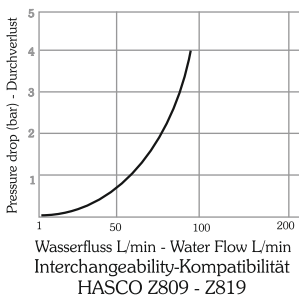
Material - Material
Coupler Body-
Kupplungsgrundkörper : Steel Zinc Plated -
Stahl- verzinkt
Sleeve - Hülse : Steel Zinc Plated -
Stahl- verzinkt
Valve - Ventil : Steel Zinc Plated -
Stahl- verzinkt
Springs - Federn : Stainless Steel - Edelstahl
Locking O-Ring-
Sprengring : Stainless Steel - Edelstahl
Balls - Kugeln : Stainless Steel- Edelstahl
Seals - Dichtungen : Buna (M) - Buna (M)
Plug - Nippel : Steel Zinc Plated -
Sthl- verzinkt

Attention : Only plug and socket with the same
thread fit together.

Achtung : Kupplungsmuffen und -stecker
passen nur mit dem gleichen Gewinde
zusammen.

FRENCH System

MANIFOLD COUPLERS
MULTIKUPPLUNGEN



Temperature Range - Temperaturbereich
-20°C, +100°C (-4°F +212°F) With NBR Seal
-30°C, +150°C (-22°F +302°F) With EPDM Seal
-15°C, +180°C (+5°F +392°F) With FPM Seal
0°C, +325°C (+32°F +637°F) With FFKM Seal

Standard version - Standardversion
Seal - Dichtungen : Florocarbon FPM (V)

Working Pressure - Betriebsdruck
0 - 15 Bar, (0 -217 PSi)

Flow Capacity - Größen
NW 8 (50.2 mm Sq)

Material - Material
Coupler & Plug body -
Kupplungsgrundkörper
& Nippel

: AISI 420 Chrome
Steel & Hardened -
AISI 420 Chromstahl
und gehärtet

Back Part -

Rückwärtiger : Brass - Messing
Valve - Ventil : Brass - Messing
Springs - Federn : Stainless Steel -
Edelstahl

Seals - Dichtungen : Florocarbon FPM (V)

Applications

Multi couplers for the mould
Robotic tool changer couplers

Anwendungen

Multikupplungssysteme
Roboter werkzeigewechselssystem
Kupplung

| Body Karosserie | Body Size Größen | Connection Anschlüsse | Order No - Bestell Nr. | ØD | L | L1 | SW |
|--|------------------------|--------------------------|--------------------------|------|------|------|----|
| Hose Tail Shut-off Coupler Absperbarkeit Kupplung mit Schlauchtülle | 08 | Ø10 | T093.08 HGB 10 | 21.5 | 37 | 24 | 24 |
| | 08 | Ø13 | T093.08 HGB 13 | 21.5 | 37 | 24 | 24 |
| Male Threaded Self Sealing Coupler Absperbarkeit Kupplung mit Außengewinde | 08 | M16x1.5 | T093.08 EGB 16-10 | 21.5 | 37 | 24 | 24 |
| | 08 | BSP3/8" | T093.08 EGB 17 | 21.5 | 37 | 24 | 24 |
| Female Threaded Shut-off Coupler Absperbarkeit Kupplung mit Innengewinde | 08 | M16x1.5 | T093.08 DGB 16 | 21.5 | 48 | | 24 |
| | 08 | BSP3/8" | T093.08 DGB 17 | 21.5 | 48 | | 24 |
| Plugs- Nippel | | | | | | | |
| Hose Tail Shut-off Plug Absperbarkeit Nippel mit Schlauchtülle | 08 | Ø10 | T093.08 HUB 10 | 22 | 46.5 | 33 | 24 |
| | 08 | Ø13 | T093.08 HUB 13 | 22 | 46.5 | 33 | 24 |
| Male Threaded Self Sealing Plug Absperbarkeit Nippel mit Außengewinde | 08 | M16x1.5 | T093.08 EUB 16-10 | 22 | 46.5 | 33.5 | 24 |
| | 08 | BSP3/8" | T093.08 EUB 17 | 22 | 46.5 | 33.5 | 24 |
| Female Threaded Shut-off Plug Absperbarkeit Nippel mit Innengewinde | 08 | M16x1.5 | T093.08 DUB 16 | 22 | 46.5 | 33 | 24 |
| | 08 | BSP3/8" | T093.08 DUB 17 | 22 | 46.5 | 33 | 24 |

**MULTI COUPLINGS SYSTEMS
MULTIKUPPLUNGSSYSTEME****MULTICOUPLING SYSTEM GROUPS
FOR LOW PRESSURE WATER,
OIL, AIR AND OTHER FLUIDS**

MULTI COUPLINGS SYSTEMS MULTIKUPPLUNGSSYSTEME



Tekno-met Multi coupling systems are applicable for quick changing of injection moulding and die cast equipments. This system avoids from the wrong connections in a quick and simple way.

Tekno-met Multi Coupling connection is starting from 3 circuits and it may increase up to 12 circuits + according to customer needs.

Water Couplers for max 10 bar and 180 °C and also there exist manual multi couplers for electrical and hydraulic connections in our product range.

Tekno-met Standard Multi Coupling Ranges

T106M (Flow Size : 6 mm)
T109M (Flow Size : 9 mm)
T112M (Flow Size : 12 mm)
T116M (Flow Size : 16 mm)

According to the requested coupler quantity:

6 couplers : 3 circuits
8 couplers : 4 circuits
10 couplers : 5 circuits
12 couplers : 6 circuits
16 couplers : 8 circuits
20 couplers : 10 circuits
24 couplers : 12 circuits

Tekno-met Multikupplungssysteme werden zur Verkürzung der Werkzeugwechselzeit im Spritzguss und Druckguss eingesetzt. Diese Systeme verhindern zusätzlich ein Verwecheln der einzelnen Kreisläufe untereinander.

Tekno-met Multikupplungssysteme gibt es ab 3 bis über 12 Kreisläufe je nach Kundenforderung.

Wasserkupplungen sind ausgelegt für maximal 10bar und 180°C und es gibt ebenso manuell zu betätigende Multikupplungen für Elektrik und Hydraulik in unserem Produktportfolio.

Tekno-met Standard Multikupplungsreihen

M106 (NW : 6 mm)
M109 (NW : 9 mm)
M112 (NW : 12 mm)
M116 (NW : 16 mm)

Entsprechend der angeforderten Kupplungsmenge :

6 Kupplungen : 3 Kreisläufe
8 Kupplungen : 4 Kreisläufe
10 Kupplungen : 5 Kreisläufe
12 Kupplungen : 6 Kreisläufe
16 Kupplungen : 8 Kreisläufe
20 Kupplungen : 10 Kreisläufe
24 Kupplungen : 12 Kreisläufe

**MULTI COUPLINGS SYSTEMS
MULTIKUPPLUNGSSYSTEME**

MULTI COUPLINGS SYSTEMS MULTIKUPPLUNGSSYSTEME

Multi Couplings Systems
for quick changing of injection moulding
and die cast equipments

Multikupplungssysteme
für schnelles Wechseln und Verbinden
der Kokillen und Spritzgußformen

3 ↔ 3

MM T106.06HGB 08

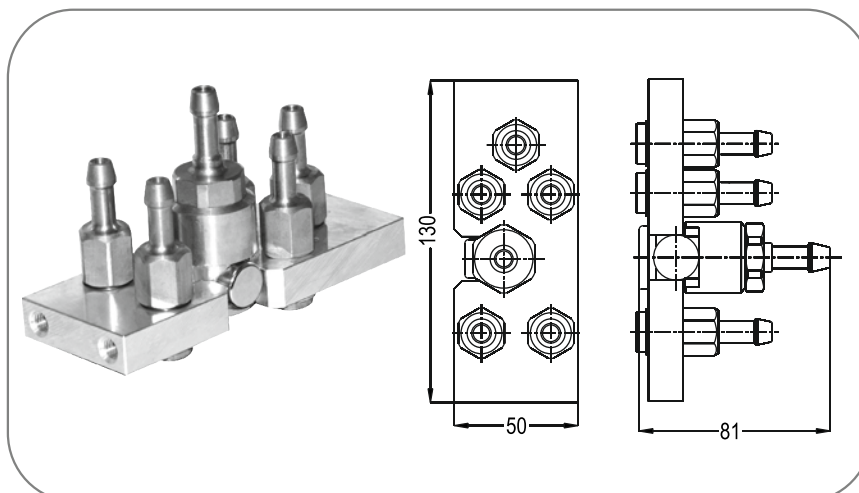
T106.06 MM Mobile Plate with 6 Unit Ø 8
Hose Tail Shut-off Coupler (3 Circuit)

T106.06 MM Platte mit 6 Einheiten Ø 8
absperrbare Kupplung mit Schlauchtülle (3 Wege)

MM T106.06HGB 10

T106.06 MM Mobile Plate with 6 Unit Ø 10
Hose Tail Shut-off Coupler (3 Circuit)

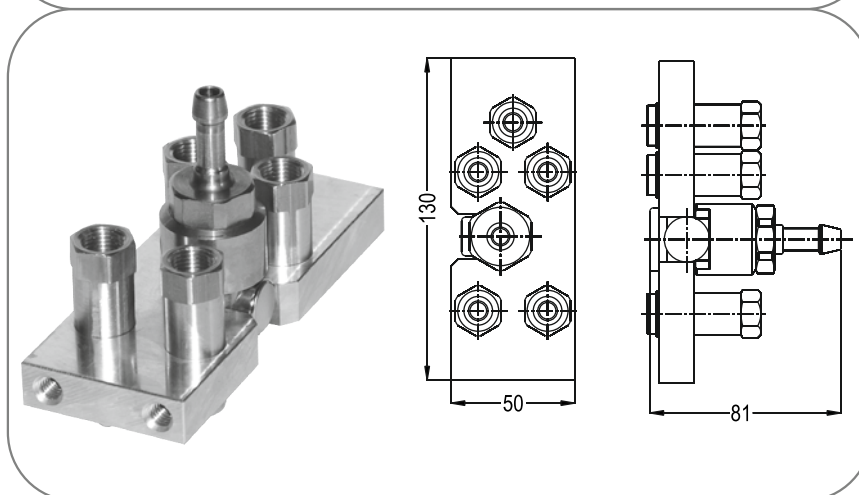
T106.06 MM Platte mit 6 Einheiten Ø 10
absperrbare Kupplung mit Schlauchtülle (3 Wege)



MM T106.06DGB 13

T106.06 MM Mobile Plate with 6 Unit BSP 1/4"
Female Threaded Shut-off Coupler (3 Circuit)

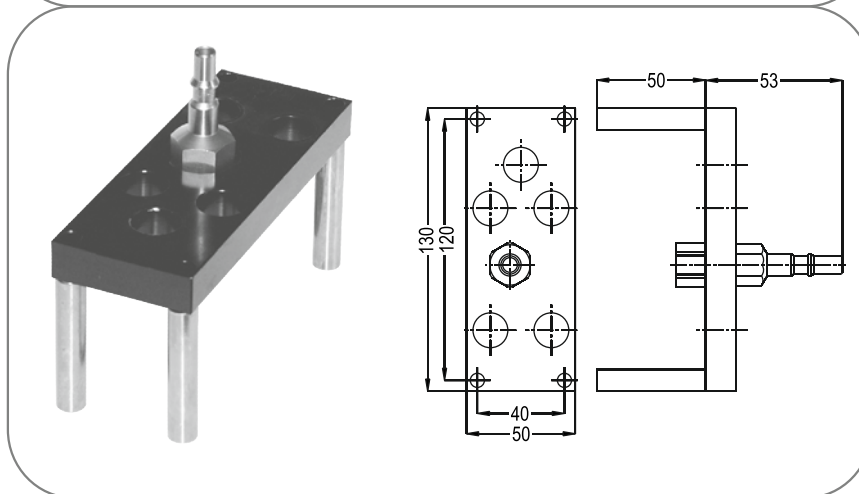
T106.06 MM Platte mit 6 Einheiten BSP 1/4"
absperrbare Kupplung mit Innengewinde (3 Wege)



MM T106.06NGB 13

T106.06 MM Mobile Plate with 6 Unit NPT 1/4"
Female Threaded Shut-off Coupler (3 Circuit)

T106.06 MM Platte mit 6 Einheiten NPT 1/4"
absperrbare Kupplung mit Innengewinde (3 Wege)



MK T106.06

T106.06 MK Mould Plate for
6 Unit Plugs (3 Circuit)

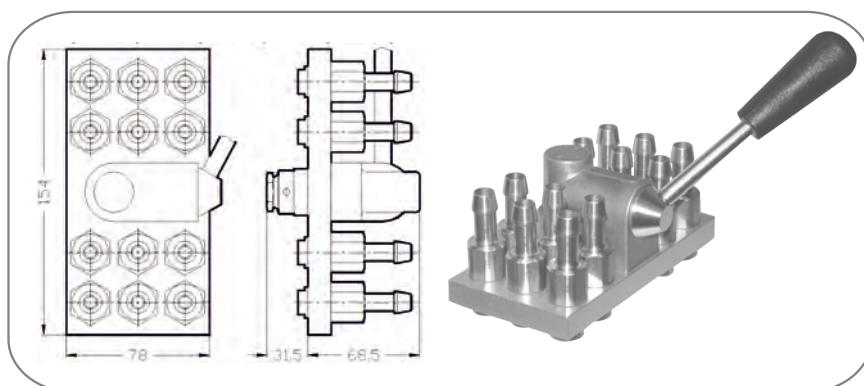
T106.06 MK Werkzeugseitige Platte
für 6 Einheiten Nippel (3 Wege)

Multi Couplings Systems
for quick changing of injection moulding
and die cast equipments

Multikupplungssysteme
für schnelles Wechseln und Verbinden
der Kokillen und Spritzgußformen

MULTI COUPLINGS SYSTEMS MULTIKUPPLUNGSSYSTEME

6 ↔ 6

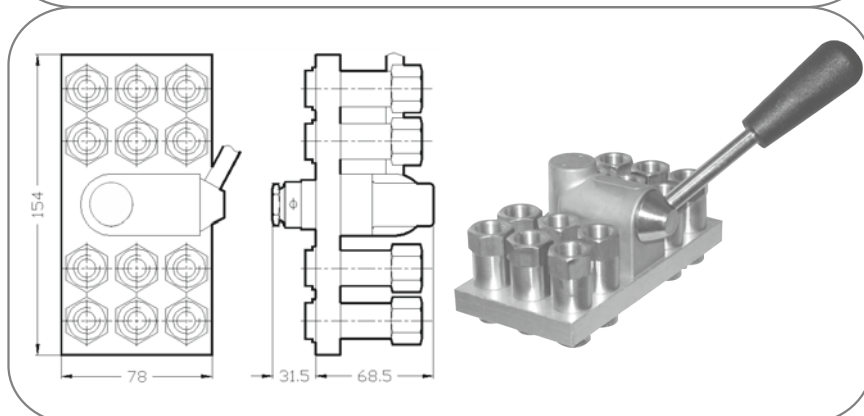


MM T106.12HGB 08

T106.12 MM Mobile Plate with 12 Unit Ø8
Hose Tail Shut-off Coupler (6 Circuit)
T106.12 MM Platte mit 12 Einheiten Ø 8
absperrbare Kupplung mit Schlauchtülle (6 Wege)

MM T106.12HGB 10

T106.12 MM Mobile Plate with 12 Unit
Ø10 (3/8") Hose Tail Shut-off Coupler (6 Circuit)
T106.12 MM Platte mit 12 Einheiten Ø 10
absperrbare Kupplung mit Schlauchtülle (6 Wege)



MM T106.12DGB 13

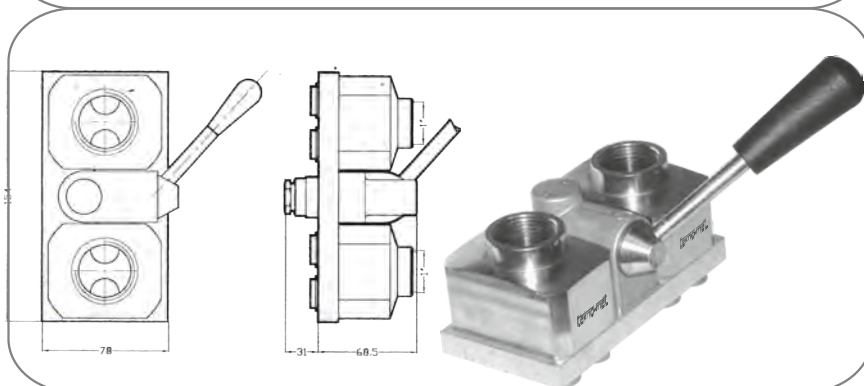
T106.12 MM Mobile Plate with 12 Unit BSP 1/4"
Female Threaded Shut-off Coupler (6 Circuit)

T106.12 MM Platte mit 12 Einheiten BSP 1/4"
absperrbare Kupplung mit Innengewinde (6 Wege)

MM T106.12NGB 13

T106.12, MM Plate with 12 Unit NPT 1/4"
Female Threaded Shut-off Coupler (6 Circuit)

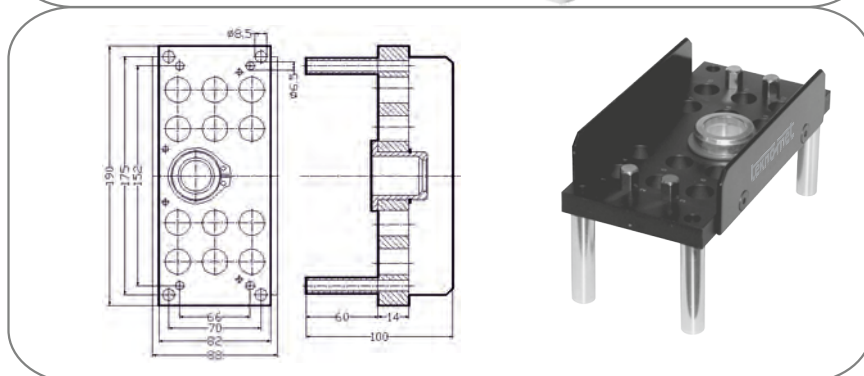
T106.12 MM Platte mit 12 Einheiten NPT 1/4"
absperrbare Kupplung mit Innengewinde (6 Wege)



MM T106.12C (BSP 3/4") MM T106.12CN (NPT 3/4")

T106.12 MM Mobile plate with 3/4" Inlet
and Outlet Female Threaded Collector

T106,12 MM Platte mit 3/4" Einlass und
Auslaßsammler mit Innengewinde



MK T106.12

T106.12 MK Mould Plate
for 12 Unit Plugs (6 Circuit)

T106.12 MK Werkzeugseitige Platte
für 12 Einheiten Nippel (6 Wege)

Multi Couplings Systems
for quick changing of injection moulding
and die cast equipments

Multikupplungssysteme
für schnelles Wechseln und Verbinden
der Kokillen und Spritzgußformen

MULTI COUPLINGS SYSTEMS MULTIKUPPLUNGSSYSTEME

10 ⇌ 10

MM T106.20HGB 08

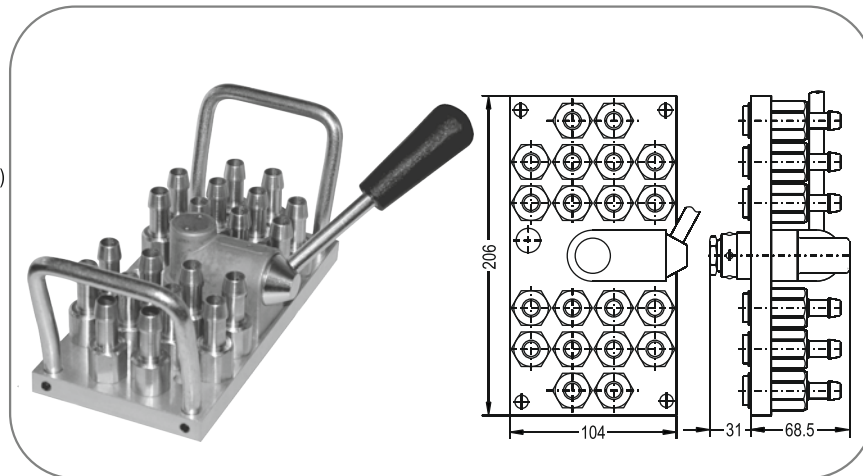
T106.20 MM Mobile Plate with 20 Unit Ø8
Hose Tail Shut-off Coupler (10 Circuit)

T106.20 MM Platte mit 20 Einheiten Ø8
absperbare Kupplung mit Schlauchanschluß (10 Wege)

MM T106.20HGB 10

T106.20 MM Mobile Plate with 20 Unit
Ø10 (3/8") Hose Tail Shut-off Coupler (10 Circuit)

T106.20 MM Platte mit 20 Einheiten Ø10 (3/8")
absperbare Kupplung mit Schlauchanschluß (20 Wege)



MM T106.20DGB 13

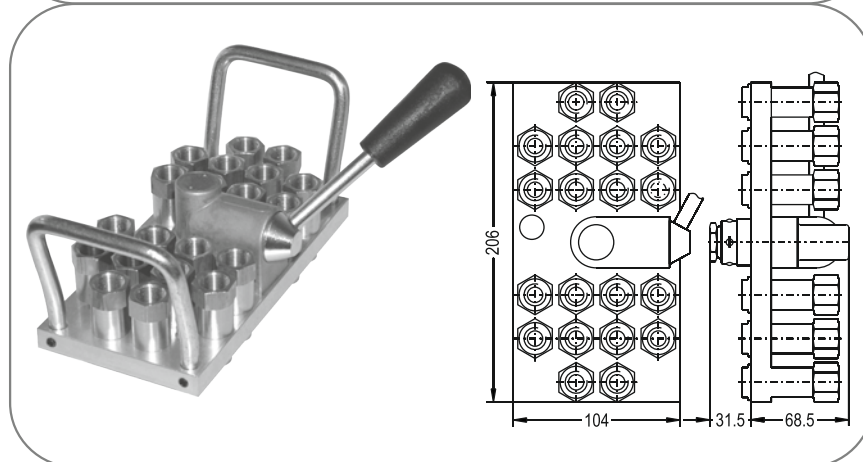
T106.20 MM Mobile Plate with 20 Unit BSP 1/4"
Female Threaded Shut-off Coupler (10 Circuit)

T106.20 MM Platte mit 20 Einheiten BSP 1/4"
absperbare Kupplung mit Innengewinde (10 Wege)

MM T106.20NGB 13

T106.20 MM Mobile Plate with 20 Unit NPT 1/4"
Female Threaded Shut-off Coupler (10 Circuit)

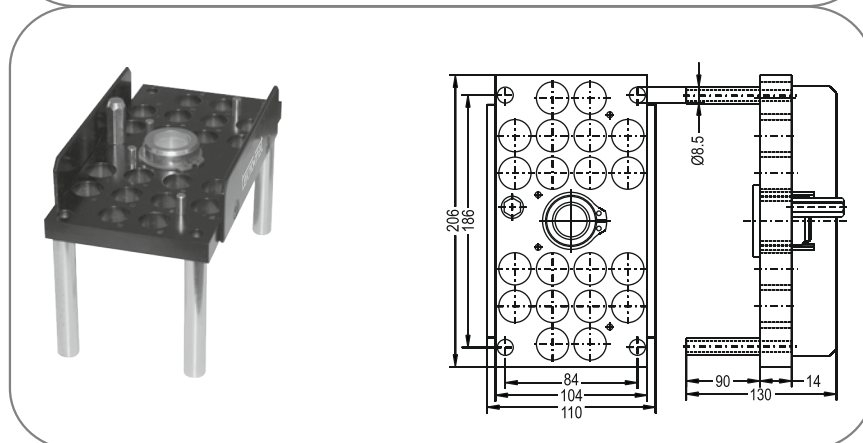
T106.20 MM Platte mit 20 Einheiten NPT 1/4"
absperbare Kupplung mit Innengewinde (10 Wege)



MK T106.20

T106.20 MK Mould Plate for
20 Unit Plugs (10 Circuit)

T106.20 MK Werkzeugseitige Platte
für 20 Einheiten Nippel (10 Wege)



Multi Couplings Systems
for quick changing of injection moulding
and die cast equipments

Multikupplungssysteme
für schnelles Wechseln und Verbinden
der Kokillen und Spritzgußformen

MULTI COUPLINGS SYSTEMS MULTIKUPPLUNGSSYSTEME



QUICK COUPLINGS FOR MOULD AND MANIFOLD

SCHNELLVERSCHLUSSKUPPLUNGEN FÜR MANIFOLD

Interchangeability - Kompatibilität

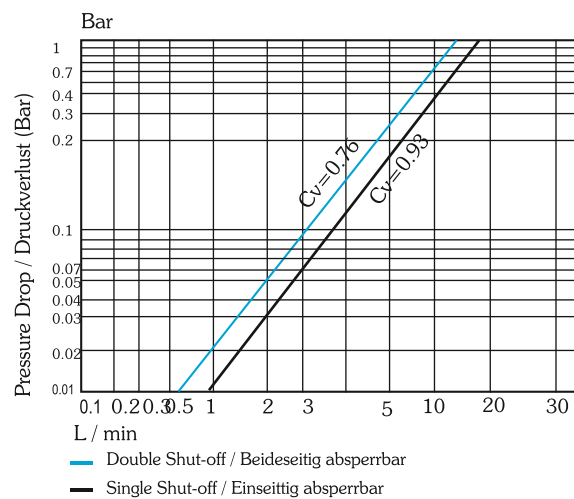
Unsere Produktlinien arbeiten mit
größeren Herstellern zusammen.
Our product lines work with bigger
manufacturers.

Material - Material

Coupler Body -
Kupplungsgrundkörper
: Brass - Messing
Valve - Ventil : Brass - Messing
Springs - Federn : Stainless Steel - Edelstahl
Seals - Dichtungen : Fluorocarbon FPM (V)
Plug - Nippel : Brass Nickel Plated -
Messing Vernickelt



| | | |
|--|--|---------------|
| Ø Nominal - Nennweite (mm) | 6 | |
| Working Pressure - Betriebsdruck (bar) | 16 | |
| Cross section - Querschnitt (mm ²) | 28,3 | |
| Working Temperature - Betriebstemperatur | V - (FPM) Fluorocarbon / Fluor-carbon | -10 °C +200°C |
| | E - (EPDM) Ethylene Prop. / Ethylene-propylene | -20 °C +150°C |
| | Ni - (NBR) Nitrile / Nitrilgummi | -15 °C +100°C |
| Flowing - Abspernung | Single Shut-Off / Einseitig absperbar | —○—+—○— |
| | Double Shut-Off / Beideseitig absperbar | —○—+—○— |
| | Full Flow / Nicht absperbar | —+—+— |



Flow direction - Flußrichtung : Plug to socket - von Stecker zur Kupplung
Oil Viscosity at 40° - Öl Viskosität 40° : C:13.4 cst

Multi Couplings Systems
for quick changing of injection moulding
and die cast equipments

Multikupplungssysteme
für schnelles Wechseln und Verbinden
der Kokillen und Spritzgußformen

MULTI COUPLINGS SYSTEMS MULTIKUPPLUNGSSYSTEME

MM T106 HGB 08

Ø8 Hose Tail Shut-off Coupler for MM T106 Manifold
Ø8 absperrbare Kupplung mit Schlauchanschluß für MM T106 Multikupplung

MM T106 HGB 10

Ø10 (3/8") Hose Tail Shut-off Coupler for MM T106 Manifold
Ø10 (3/8") absperrbare Kupplung mit Schlauchanschluß für MM T106 Multikupplung

MM T106 FGB 08

Ø 8 Push-lock Hose Tail Shut-off Coupler for MM T106 Manifold
Ø 8 absperrbare Kupplung mit automatisch verschließbarer Schlauchanschluß für MM T106 Multikupplung

MM T106 FGB 10

Ø10 (3/8") Push-lock Hose Tail Shut-off Coupler for MM T106 Manifold
Ø10 (3/8") absperrbare Kupplung mit automatisch verschließbarer Schlauchanschluß für MM T106 Multikupplung

MM T106 DGB 13

BSP 1/4" Female Threaded Shut-off Coupler for MM T106 Manifold
BSP 1/4" absperrbare Kupplung mit Innengewinde für MM T106 Multikupplung

MM T106 NGB 13

NPT 1/4" Female Threaded Shut-off Coupler for MM T106 Manifold
NPT 1/4" absperrbare Kupplung mit Innengewinde für MM T106 Multikupplung

MM T106 EGB 00

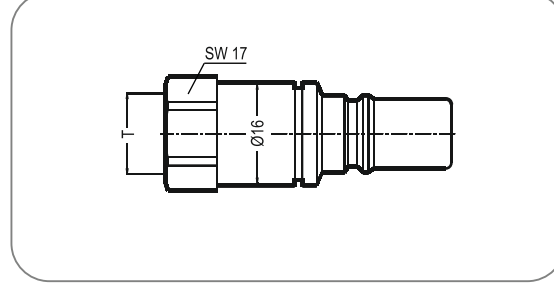
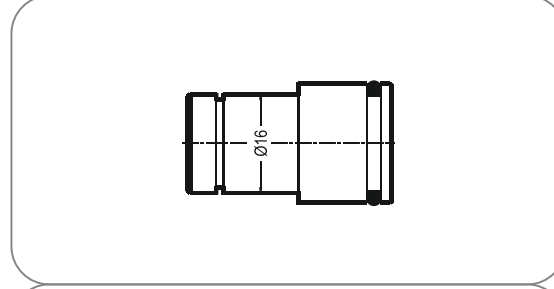
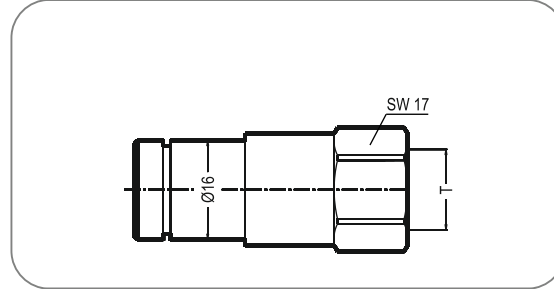
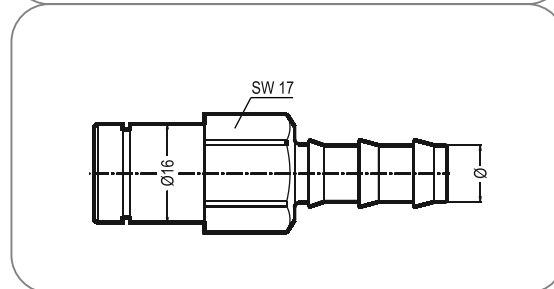
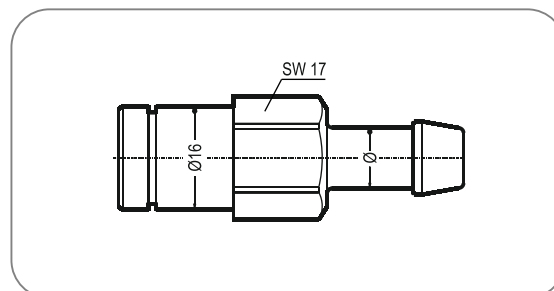
MM T106 Shut-off Coupler For Collector
MM T106 absperrbare Kupplung für Kollektor

MK T106 DU 13

BSP 1/4" Female Threaded Unvalved Plug for MK T106 Manifold
BSP 1/4" Anschlußnippel mit Innengewinde für MK T106 Multikupplung

MK T106 NU 13

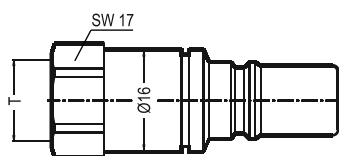
NPT 1/4" Female Threaded Unvalved Plug for MK T106 Manifold
NPT 1/4" Anschlußnippel mit Innengewinde für MK T106 Multikupplung



Multi Couplings Systems
for quick changing of injection moulding
and die cast equipments

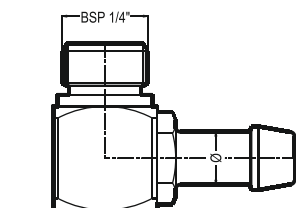
Multikupplungssysteme
für schnelles Wechseln und Verbinden
der Kokillen und Spritzgußformen

MULTI COUPLINGS SYSTEMS MULTIKUPPLUNGSSYSTEME



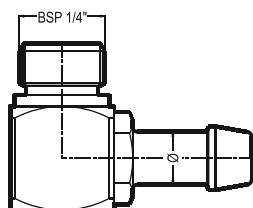
MK T106 DUB 13

BSP 1/4" Female Threaded Shut-off Plug for MK T106 Manifold
BSP 1/4" absperrbare Nippel mit Innengewinde für MK T106 Manifold



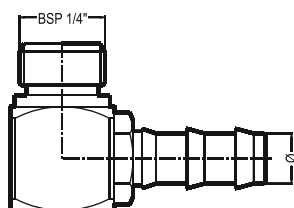
MK T106 NUB 13

NPT 1/4" Female Threaded Shut-off Plug for MK T106 Manifold
NPT 1/4" absperrbare Nippel mit Innengewinde für MK T106 Manifold



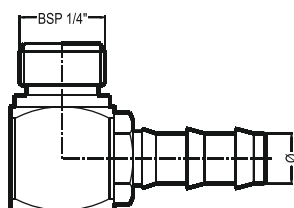
T106 EB 13.08

Elbow Ø 8 Hose Tail
Winkel Ø 8 Schlauchanschluß



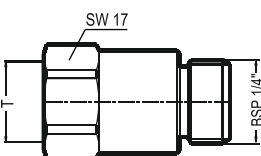
T106 EB 13.10

Elbow Ø 10 (3/8") Hose Tail
Winkel Ø 10 (3/8") Schlauchanschluß



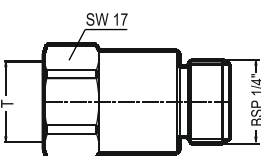
T106 EF 13.08

Elbow Ø 8 Push-lock Hose Tail
Winkel Ø 8 Schlauchanschluß ohne Klemmen



T106 EF 13.10

Elbow Ø 10 (3/8") Push-lock Hose Tail
Winkel Ø 10 (3/8") Schlauchanschluß ohne Klemmen



T106 EN 13

BSP 1/4" Female-BSP 1/4" Male Extention
BSP 1/4" Innengewinde -BSP 1/4" Außengewinde Verlängerung

T106 NN 13

NPT 1/4" Female - BSP 1/4" Male Extention
NPT 1/4" Innengewinde - BSP 1/4" Außengewinde Verlängerung

Multi Couplings Systems
for quick changing of injection moulding
and die cast equipments

Multikupplungssysteme
für schnelles Wechseln und Verbinden
der Kokillen und Spritzgußformen

MULTI COUPLINGS SYSTEMS MULTIKUPPLUNGSSYSTEME

3 ↔ 3

MM T109.06HGB 10

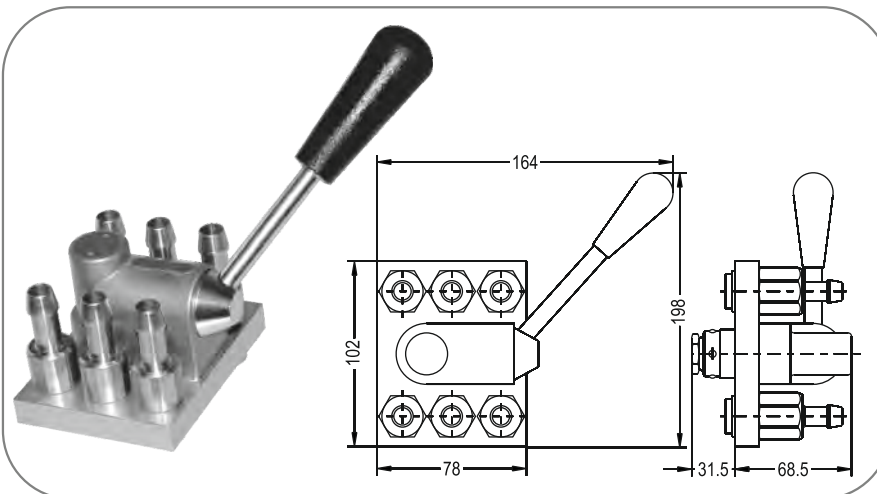
MM T109.06 Mobile Plate with 6 Unit Ø10 (3/8")
Hose Tail Shut-off Coupler (3 Circuit)

T109.06 MM Platte mit 6 Einheiten Ø10 (3/8")
absperrbare Kupplung mit Schlauchanschluß(3 Wege)

MM T109.06HGB 12

MM T109.06 Mobile Plate with 6 Unit Ø12
Hose Tail Shut-off Coupler (3 Circuit)

T109.06 MM Platte mit 6 Einheiten Ø12
absperrbare Kupplung mit Schlauchanschluß(3 Wege)



MM T109.06DGB 17

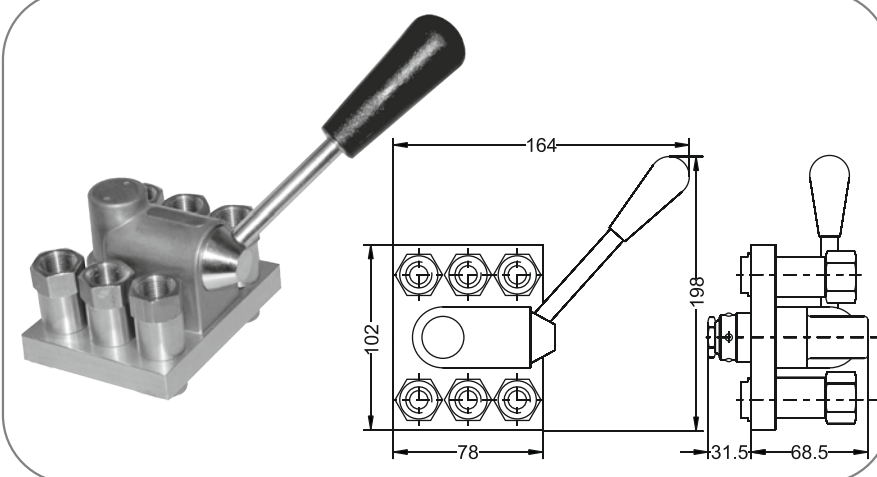
MM T109.06 Mobile Plate with 6 Unit BSP 3/8"
Female Threaded Shut-off Coupler (3 Circuit)

T109.06 MM Platte mit 6 Einheiten BSP (3/8")
absperrbare Kupplung mit Innengewinde (3 Wege)

MM T109.06NGB 17

MM T109.06 Mobile Plate with 6 Unit NPT 3/8"
Female Threaded Shut-off Coupler (3 Circuit)

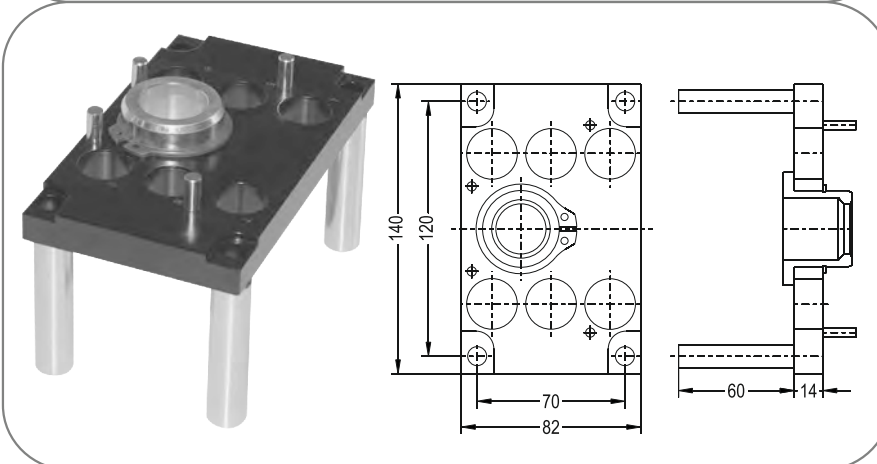
T109.06 MM Platte mit 6 Einheiten NPT (3/8")
absperrbare Kupplung mit Innengewinde (3 Wege)



MK T109.06

MK T109.06 Mould Plate
for 6 Unit Plugs (3 Circuit)

T109.06 MK Werkzeugseitige Platte
für 6 Einheiten Nippel (3 Wege)

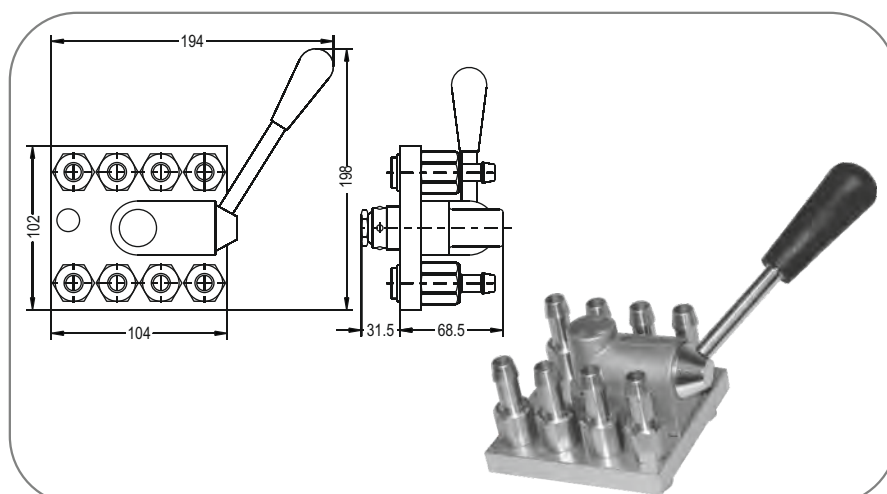


Multi Couplings Systems
for quick changing of injection moulding
and die cast equipments

Multikupplungssysteme
für schnelles Wechseln und Verbinden
der Kokillen und Spritzgußformen

4 ↔ 4

MULTI COUPLINGS SYSTEMS MULTIKUPPLUNGSSYSTEME



MM T109.08HGB 10

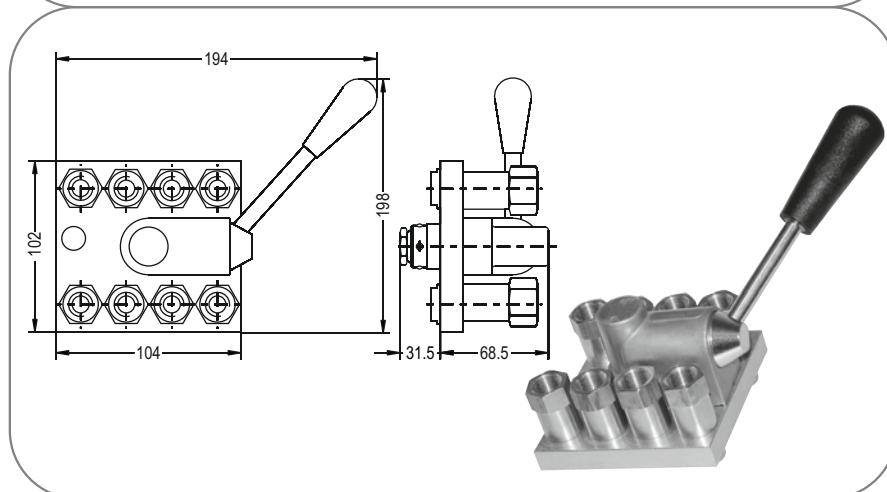
MM 109.08 Mobile Plate with 8 Unit Ø10 (3/8")
Hose Tail Shut-off Coupler (4 Circuit)

T109.08 MM Platte mit 8 Einheiten Ø10 (3/8")
absperbare Kupplung mit Schlauchanschluß(4 Wege)

MM 109.08HGB 12

MM T109.08 Mobile Plate with 8 Unit
Ø12 Hose Tail Shut-off Coupler (4 Circuit)

T109.08 MM Platte mit 6 Einheiten Ø12
absperbare Kupplung mit Schlauchanschluß(4 Wege)



MM T109.08DGB 17

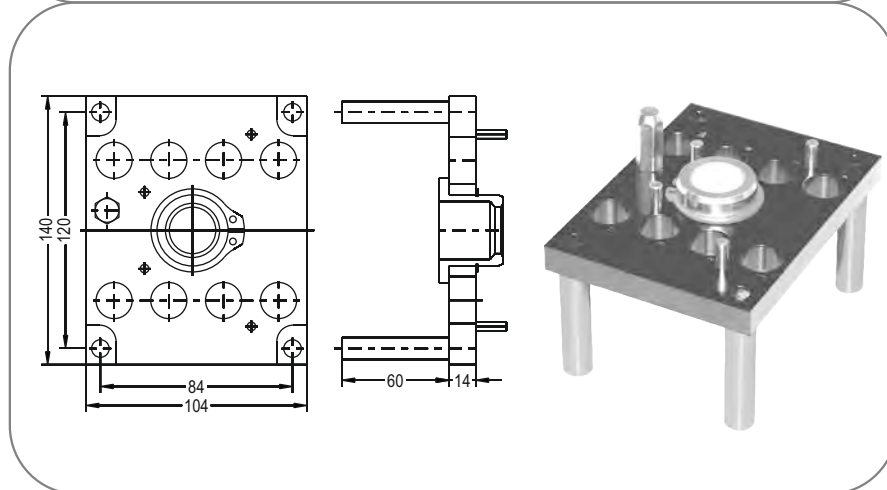
MM 109.08 Mobile Plate with 8 Unit BSP 3/8"
Female Threaded Shut-off Coupler (4 Circuit)

T109.08 MM Platte mit 6 Einheiten BSP 3/8"
Absperbare Kupplung mit Innengewinde (4 Wege)

MM T109.08NGB 17

T109.08 MM Mobile Plate with 8 Unit NPT 3/8"
Female Threaded Shut-off Coupler (4 Circuit)

T109.08 MM Platte mit 8 Einheiten NPT 3/8"
Absperbare Kupplung mit Innengewinde (4 Wege)



MK T109.08

MK T109.08 Mould Plate
for 8 Unit Plugs (4 Circuit)

T109.08 MK Werkzeugseitige Platte
für 8 Einheiten Nippel (4 Wege)

Multi Couplings Systems
for quick changing of injection moulding
and die cast equipments

Multikupplungssysteme
für schnelles Wechseln und Verbinden
der Kokillen und Spritzgußformen

MULTI COUPLINGS SYSTEMS MULTIKUPPLUNGSSYSTEME

5 ↔ 5

MM T109.10HGB 10

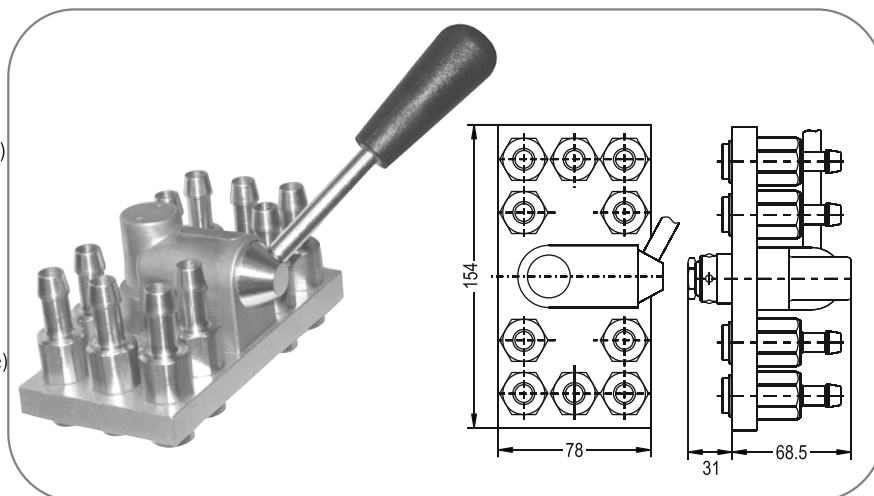
MM T109.10 Mobile Plate with 10 Unit Ø10 (3/8")
Hose Tail Shut-off Coupler (5 Circuit)

T109.10 MM Platte mit 10 Einheiten Ø10 (3/8")
absperrbare Kupplung mit Schlauchanschluß(5 Wege)

MM T109.10HGB 12

MM T109.10 Mobile Plate with 10 Unit
Ø12 Hose Tail Shut-off Coupler (5 Circuit)

T109.10 MM Platte mit 10 Einheiten Ø12
absperrbare Kupplung mit Schlauchanschluß(5 Wege)



MM T109.10DGB 17

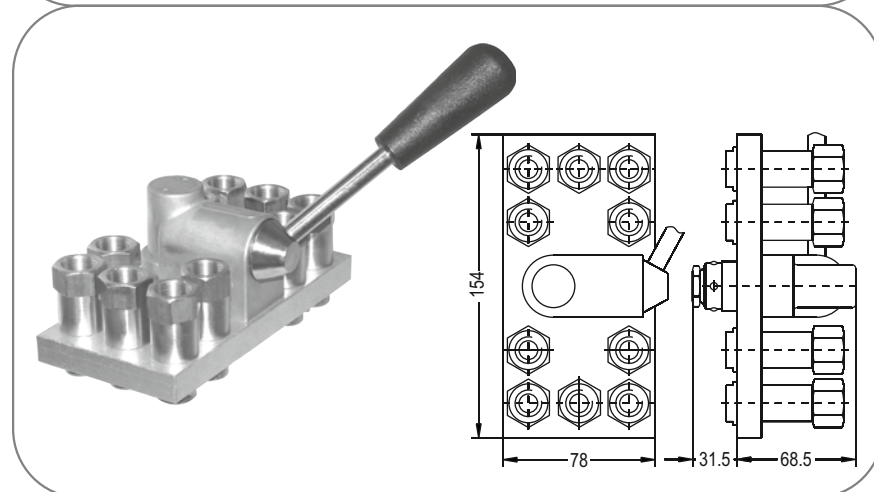
MM T109.10 Mobile Plate with 10 Unit BSP 3/8"
Female Threaded Shut-off Coupler (5 Circuit)

T109.10 MM Platte mit 10 Einheiten BSP 3/8"
absperrbare Kupplung mit Innengewinde (5 Wege)

MM T109.10NGB 17

MM T109.10 Mobile Plate with 10 Unit NPT 3/8"
Female Threaded Shut-off Coupler (5 Circuit)

T109.10 MM Platte mit 10 Einheiten NPT 3/8"
absperrbare Kupplung mit Innengewinde (5 Wege)



MK T109.10 (BSP 3/8")

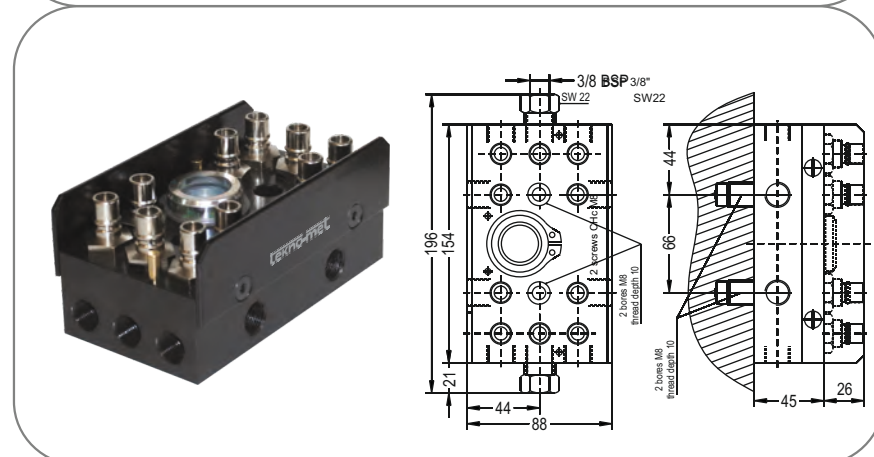
MK T109.10 Mould Plate with 10 Unit Unvalved
1/2" Male Threaded Plug (5 Circuit)

T109.10 Werkzeugseitige Platte mit 10 Einheiten
Nippel mit Ventil (5 Wege)

MK T109.10V (BSP 3/8")

MK T109.10 Mould Plate with 10 Unit Shut-off
1/2" Male Threaded Plug (5 Circuit)

T109.10 MK Werkzeugseitige Platte mit
10 Einheiten Nippel ohne Ventil (5 Wege)

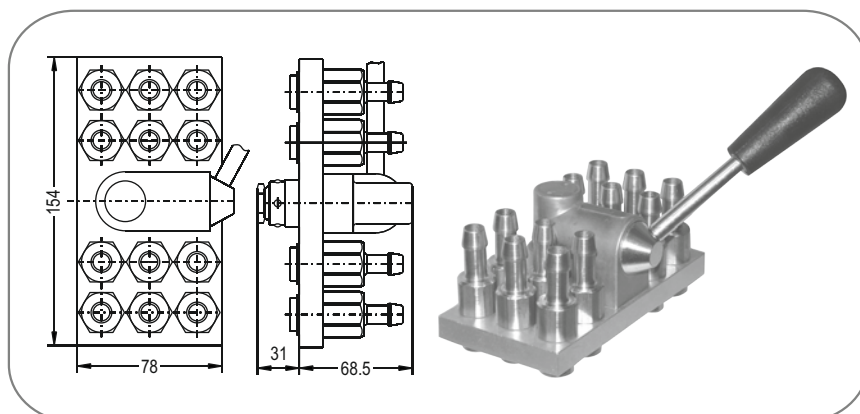


Multi Couplings Systems
for quick changing of injection moulding
and die cast equipments

Multikupplungssysteme
für schnelles Wechseln und Verbinden
der Kokillen und Spritzgußformen

6 ↔ 6

MULTI COUPLINGS SYSTEMS MULTIKUPPLUNGSSYSTEME



MM T109.12HGB 10

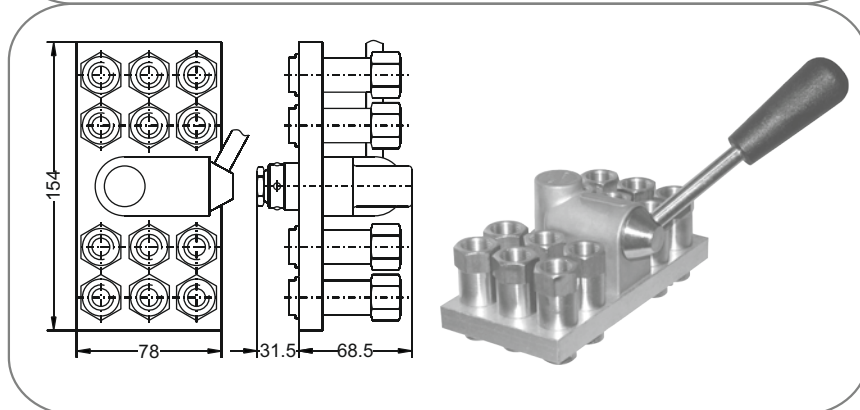
MM T109.12 Mobile Plate with 12 Unit Ø10 (3/8")
Hose Tail Shut-off Coupler (6 Circuit)

T109.12 MM Platte mit 12 Einheiten Ø10 (3/8")
absperbare Kupplung mit Schlauchanschluß (6 Wege)

MM T109.12HGB 12

MM T109.12 Mobile Plate with 12 Unit
Ø12 Hose Tail Shut-off Coupler (6 Circuit)

T109.12 MM Platte mit 12 Einheiten Ø12
absperbare Kupplung mit Schlauchanschluß (6 Wege)



MM T109.12DGB 17

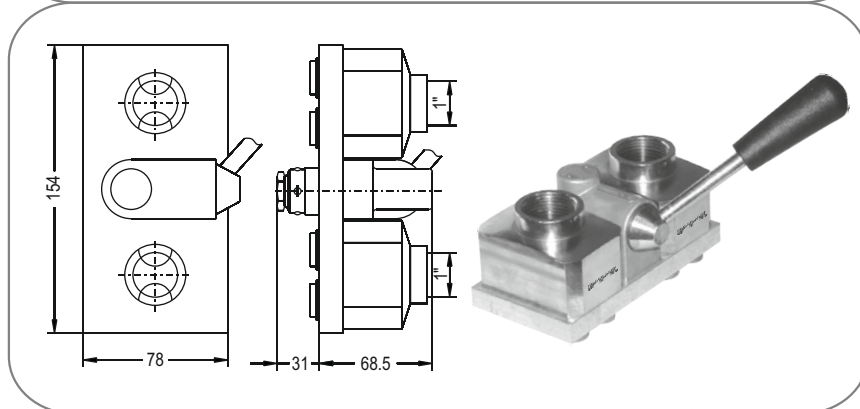
MM T109.12 Mobile Plate with 12 Unit BSP 3/8"
Female Threaded Shut-off Coupler (6 Circuit)

T109.12 MM Platte mit 12 Einheiten BSP 3/8"
absperbare Kupplung mit Innengewinde (6 Wege)

MM T09.12NGB 17

TMM 109.12 Plate with 12 Unit NPT 3/8"
Female Threaded Shut-off Coupler (6 Circuit)

T109.12 MM Platte mit 12 Einheiten NPT 3/8"
absperbare Kupplung mit Innengewinde (6 Wege)

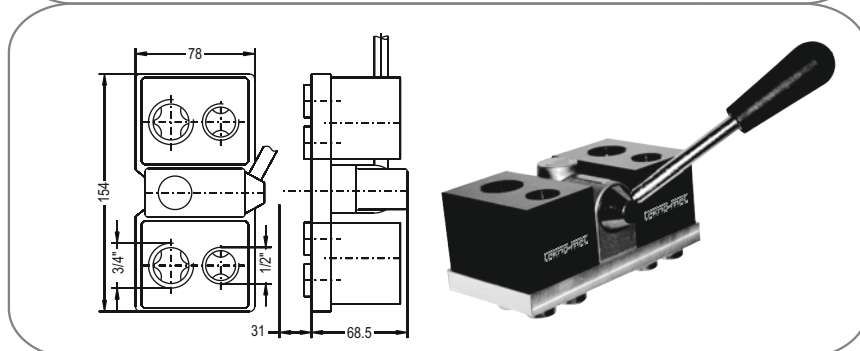


MM T109.12C (BSP 1")

MM T109.12CN (NPT 1")

MM 109.12 Mobile plate with 1" Inlet
and Outlet Female Threaded Collector

T109,12 MM Platte mit 1" Einlass und
Auslaßsammmler mit Innengewinde



MM T109.12 (21-26)C (BSP 1/2" - 3/4")

MM T109.12 (21-26)CN (NPT 1/2" - 3/4")

T109.12 MM Mobile Platte mit 1/2", 3/4"
Einlass- und Auslass-Innengewinde-Kollektor

T109.12 MM Mobile plate with 1/2", 3/4" Inlet
and Outlet Female Threaded Collector

Multi Couplings Systems
for quick changing of injection moulding
and die cast equipments

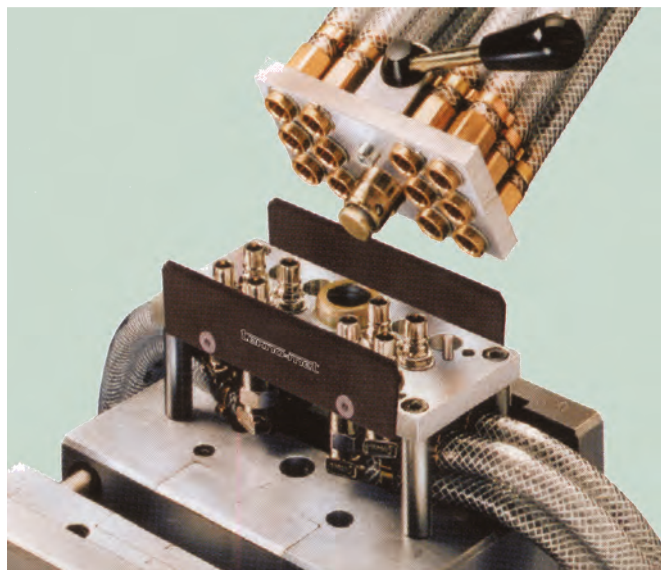
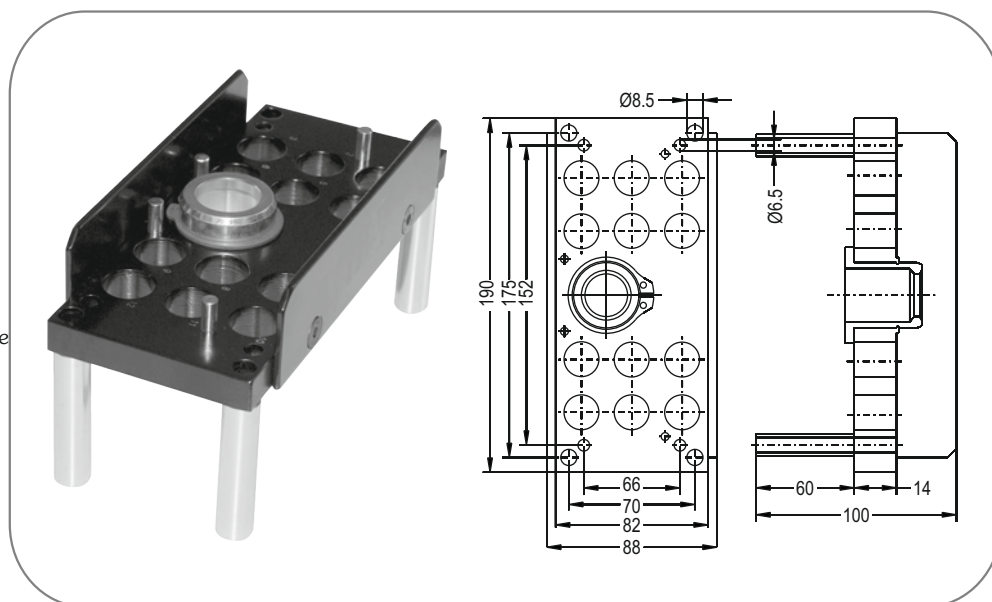
Multikupplungssysteme
für schnelles Wechseln und Verbinden
der Kokillen und Spritzgußformen

MULTI COUPLINGS SYSTEMS MULTIKUPPLUNGSSYSTEME

6 ↔ 6

MK T109.12
MK T109.12 Mould Plate
for 12 Unit Plugs (6 Circuit)

T109.12 MK Werkzeugseitige Platte
für 12 Einheiten Nippel (6 Wege)

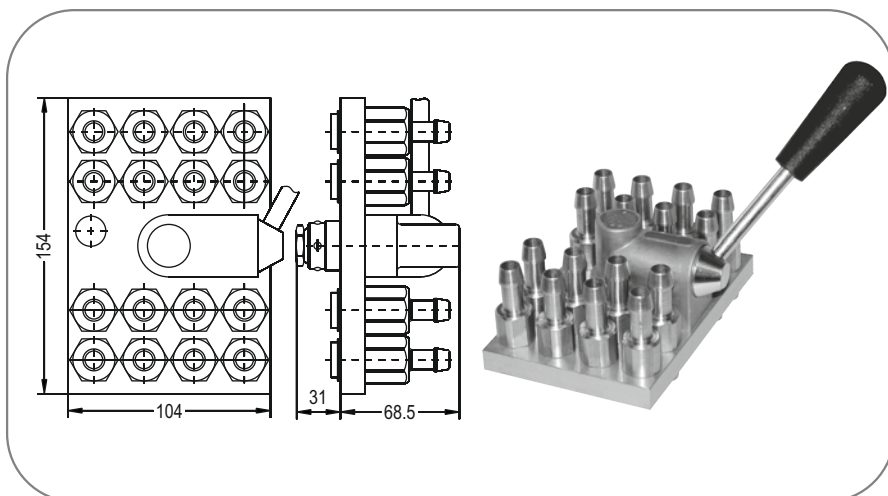


Multi Couplings Systems
for quick changing of injection moulding
and die cast equipments

Multikupplungssysteme
für schnelles Wechseln und Verbinden
der Kokillen und Spritzgußformen

MULTI COUPLINGS SYSTEMS MULTIKUPPLUNGSSYSTEME

8 ↔ 8



MM T109.16HGB 10

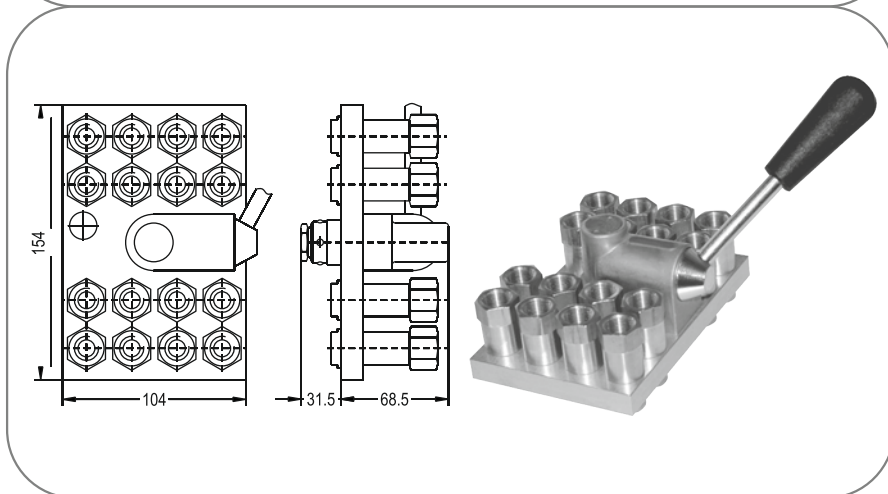
MM T109 Mobile Plate with 16 Unit Ø10 (3/8")
Hose Tail Shut-off Coupler (8 Circuit)

T109.16 MM Platte mit 16 Einheiten Ø10 (3/8")
absperrbare Kupplung mit Schlauchanschluß(8 Wege)

MM T109.16HGB 12

MM T109.16 Mobile Plate with 16 Unit
Ø12 Hose Tail Shut-off Coupler (8 Circuit)

T109.16 MM Platte mit 16 Einheiten Ø12
absperrbare Kupplung mit Schlauchanschluß(8 Wege)



MM T109.16DGB 17

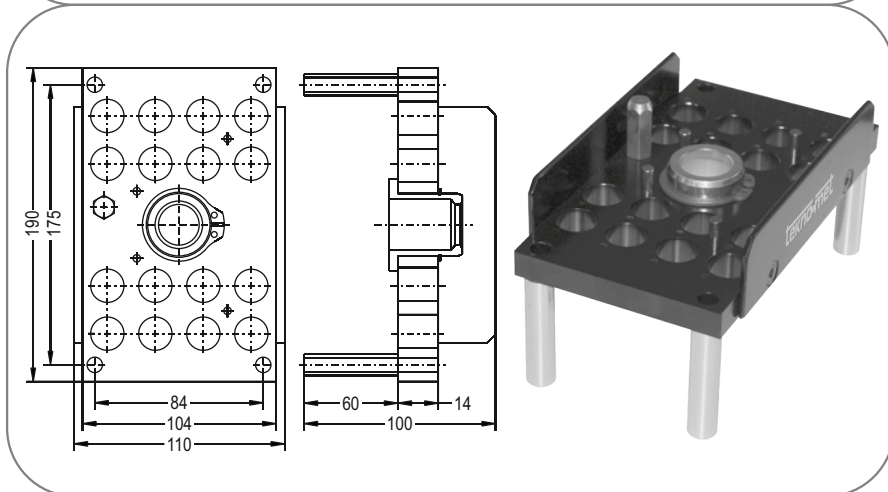
MM T109.16 Mobile Plate with 16 Unit BSP 3/8"
Female Threaded Shut-off Coupler (8 Circuit)

T109.16 MM Platte mit 6 Einheiten BSP 3/8"
absperrbare Kupplung mit Innengewinde (8 Wege)

MM T109.16NGB 17

MM T109.16 Mobile Plate with 16 Unit NPT 3/8"
Female Threaded Shut-off Coupler (8 Circuit)

T109.16 MM Platte mit 16 Einheiten NPT 3/8"
absperrbare Kupplung mit Innengewinde (8 Wege)



MK T109.16

MK T109.16 Mould Plate
for 16 Unit Plugs (8 Circuit)

T109.16 MK Werkzeugseitige Platte
für 16 Einheiten Nippel (8 Wege)

Multi Couplings Systems
for quick changing of injection moulding
and die cast equipments

Multikupplungssysteme
für schnelles Wechseln und Verbinden
der Kokillen und Spritzgußformen

MULTI COUPLINGS SYSTEMS MULTIKUPPLUNGSSYSTEME

10 ↔ 10

MM T109.20HGB 10

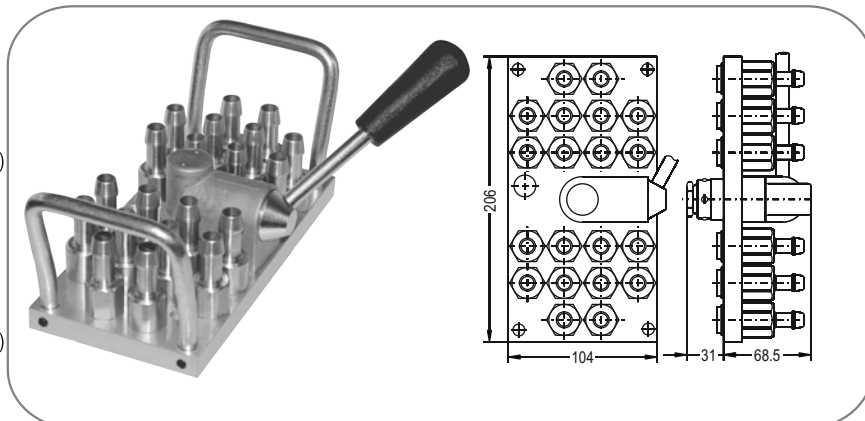
MM T109.20 Mobile Plate with 20 Unit Ø10 (3/8")
Hose Tail Shut-off Coupler (10 Circuit)

T109.20 MM Platte mit 20 Einheiten Ø10 (3/8")
absperbare Kupplung mit Schlauchanschluß(10 Wege)

MM T109.20HGB 12

MM T109.20 Mobile Plate with 20 Unit
Ø12 Hose Tail Shut-off Coupler (10 Circuit)

T109.20 MM Platte mit 20 Einheiten Ø12
absperbare Kupplung mit Schlauchanschluß(20 Wege)



MM T109.20DGB 17

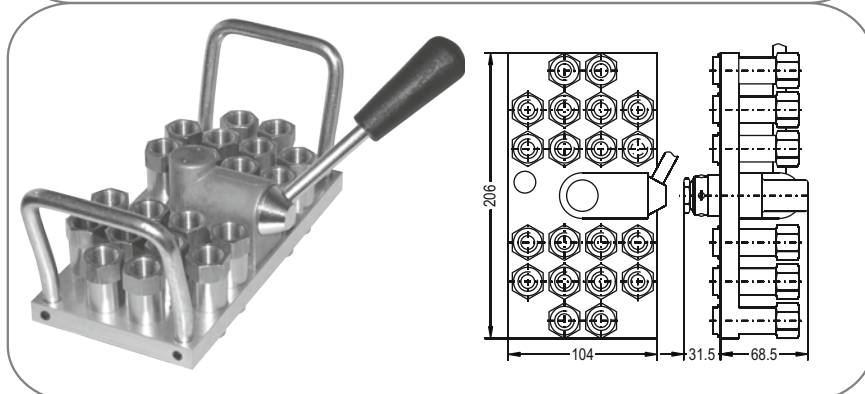
MM T109.20 Mobile Plate with 20 Unit BSP 3/8"
Female Threaded Shut-off Coupler (10 Circuit)

T109.20 MM Platte mit 20 Einheiten BSP 3/8"
absperbare Kupplung mit Innengewinde (10 Wege)

MM T109.20NGB 17

MM T109.20 Mobile Plate with 20 Unit NPT 3/8"
Female Threaded Shut-off Coupler (10 Circuit)

T109.20 MM Platte mit 20 Einheiten NPT 3/8"
absperbare Kupplung mit Innengewinde (10 Wege)

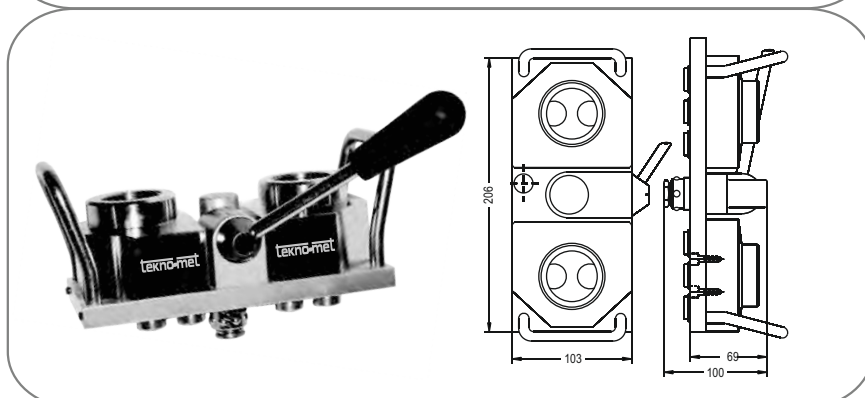


MM T109.20C (BSP 1.1/4")

MM T109.20CN (NPT 1.1/4")

MM T109.20 Mobile plate with 1.1/4" Inlet
and Outlet Female Threaded Collector

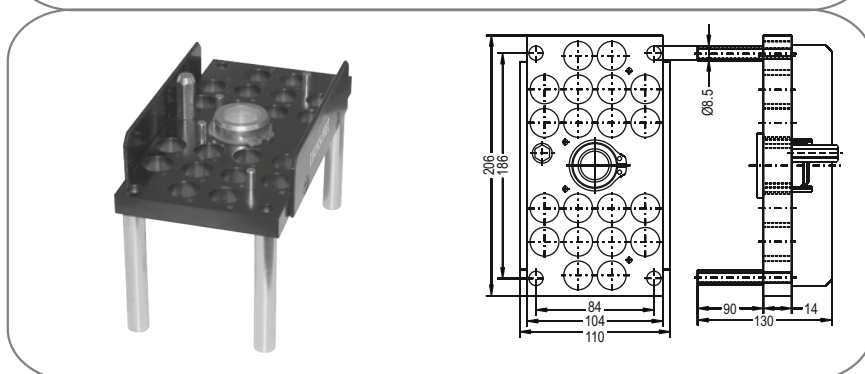
T109,20 MM Platte mit 1.1/4" Einlass und
Auslaßsammler mit Innengewinde



MK T109.20

MK T109.20 Mould Plate for
20 Unit Plugs (10 Circuit)

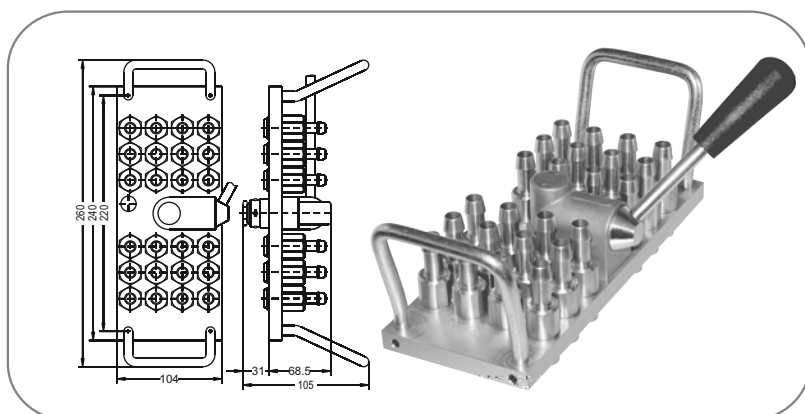
T109.20 MK Werkzeugseitige Platte
für 20 Einheiten Nippel (10 Wege)



Multi Couplings Systems
for quick changing of injection moulding
and die cast equipments

Multikupplungssysteme
für schnelles Wechseln und Verbinden
der Kokillen und Spritzgußformen

12 ↔ 12



MM T109.24HGB 10

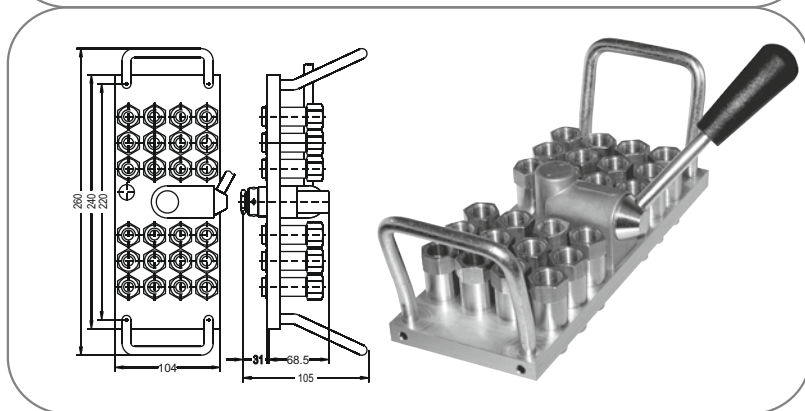
MM T109.24 Mobile Plate with 24 Unit Ø10 (3/8")
Hose Tail Shut-off Coupler (12 Circuit)

T109.24 MM Platte mit 24 Einheiten Ø10 (3/8")
absperrbare Kupplung mit Schlauchanschluß (12 Wege)

MM T109.24HGB 12

MM T109.24 Mobile Plate with 24 Unit Ø12 Hose Tail
Shut-off Coupler (12 Circuit)

T109.24 MM Platte mit 24 Einheiten Ø12
absperrbare Kupplung mit Schlauchanschluß (12 Wege)



MM T109.24DGB 17

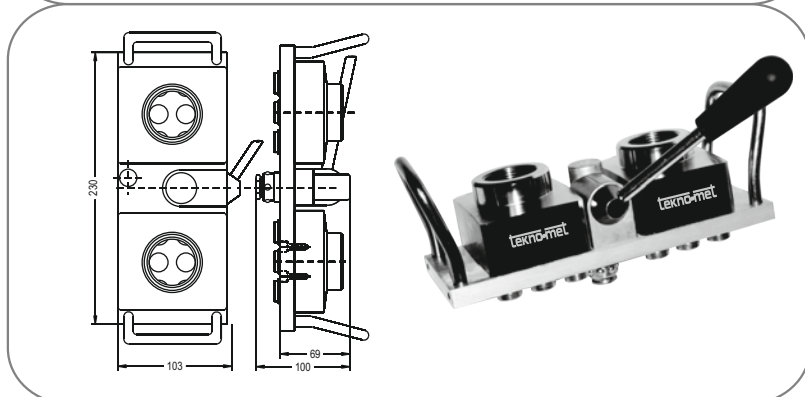
MM T109.24 Mobile Plate with 24 Unit BSP 3/8"
Female Threaded Shut-off Coupler (12 Circuit)

T109.24 MM Platte mit 24 Einheiten BSP 3/8"
absperrbare Kupplung mit Innengewinde (12 Wege)

MM T109.24NGB 17

MM T109.24 Mobile Plate with 24 Unit NPT 3/8"
Female Threaded Shut-off Coupler (12 Circuit)

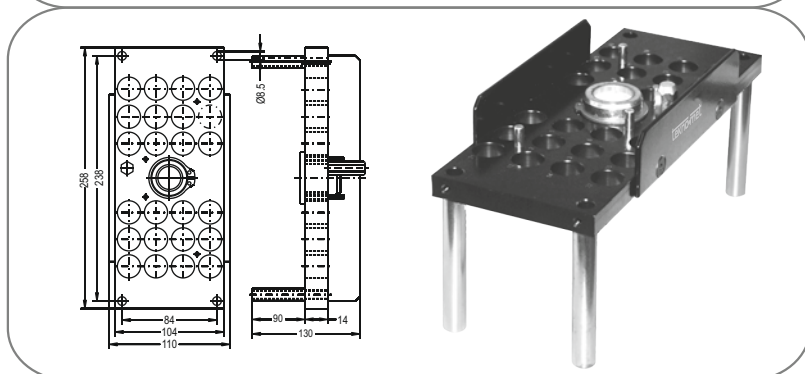
T109.24 MM Platte mit 24 Einheiten NPT 3/8"
absperrbare Kupplung mit Innengewinde (12 Wege)



MM T109.24C (BSP 1.1/4") MM T109.24CN (NPT 1.1/4")

MM T109.24 Mobile Plate With 1.1/4" Inlet
and Outlet Female Threaded Collector.

T109.24 MM Platte mit 1.1/4" Einlass und
Auslaßsammler mit Innengewinde



MK 109.24

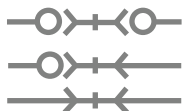
109.24 MK Mould Plate for
24 Unit Plugs (12 Circuit)

T109.16 MK Werkzeugseitige Platte
für 24 Einheiten Nippel (12 Wege)

Multi Couplings Systems
for quick changing of injection moulding
and die cast equipments

Multikupplungssysteme
für schnelles Wechseln und Verbinden
der Kokillen und Spritzgußformen

MULTI COUPLINGS SYSTEMS MULTIKUPPLUNGSSYSTEME



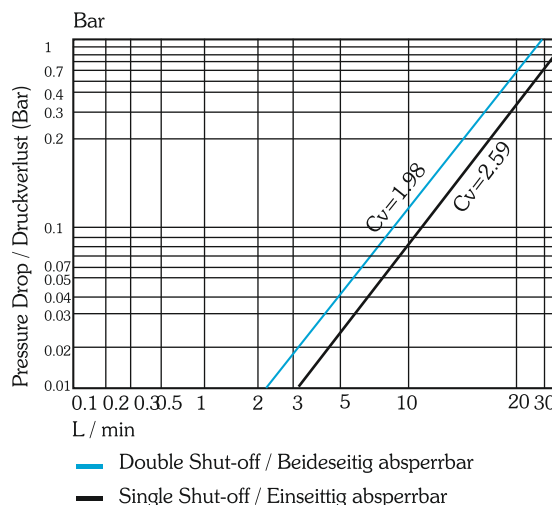
Interchangeability / Kompatibilität :
Unserer Produktserie ist mit Große Hersteller
kompatibel

Material - Material

Körper - Coupler Body: Messing - Brass
Rückschlagventil - Valve: Messing - Brass
Federn - Springs: Stahl - Stainless Steel
Dichtung - Seals: Fluorocarbon FPM (V)
Tipp - Plug: Messing vernickelt -
Brass Nickel Plated



| | | |
|---|--|---------------|
| Ø Nominal - Nennweite (mm) | 9 | |
| Working Pressure - Betriebsdruck (bar) | 16 | |
| Cross section - Querschnitt (mm ²) | 63.9 | |
| Working Temperature - Betriebstemperatur | V - (FPM) Fluorocarbon / Fluor-carbon | -10 °C +200°C |
| | E - (EPDM) Ethylene Prop. / Ethylene-propylene | -20 °C +150°C |
| | Ni - (NBR) Nitrile / Nitrilgummi | -15 °C +100°C |
| Flowing - Absperrung | Single Shut-Off / Einseitig absperrbar | |
| | Double Shut-Off / Beideseitig absperrbar | |
| | Full Flow / Nicht absperrbar | |

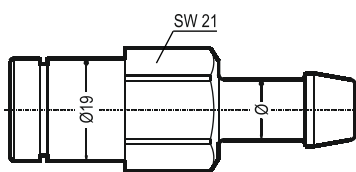


Flow direction - Flußrichtung : Plug to socket - von stecker zu Kupplung
Oil Viscosity at - Öl Viskosität 40° : C:13.4 cst

Multi Couplings Systems
for quick changing of injection moulding
and die cast equipments

Multikupplungssysteme
für schnelles Wechseln und Verbinden
der Kokillen und Spritzgußformen

MULTI COUPLINGS SYSTEMS MULTIKUPPLUNGSSYSTEME

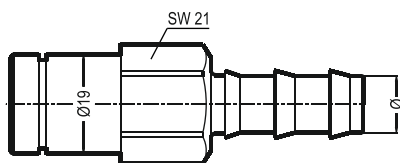


MM T109 HGB 10

Ø10 (3/8") Hose Tail Shut-off Coupler for MM T109 Manifold
Ø10 (3/8") absperrbare Kupplung mit Schlauchanschluß für MM T109 Multiupplung

MM T109 HGB 12

Ø12 Hose Tail Shut-off Coupler for MM T109 Manifold
Ø12 absperrbare Kupplung mit Schlauchanschluß für MM T109 Multiupplung

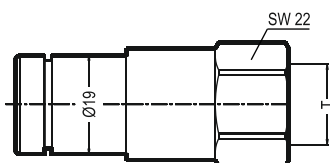


MM T109 FGB 10

Ø10 (3/8") Push-lock Hose Tail Shut-off Coupler for MM T109 Manifold
Ø10 (3/8") absperrbare Kupplung mit automatisch verschließbarer
Schlauchanschluß für MM T109 Multikupplung

MM T109 FGB 13

Ø13 Push-lock Hose Tail MM T109 Shut-off Coupler
Ø13 absperrbare Kupplung mit automatisch verschließbarer
Schlauchanschluß für MM T109 Multikupplung

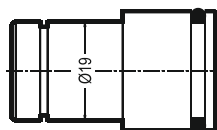


MM T109 DGB 17

BSP 3/8" Female Threaded MM T109 Shut-off Coupler
BSP 3/8" absperrbare Kupplung mit Innengewinde für MM T109 Multikupplung

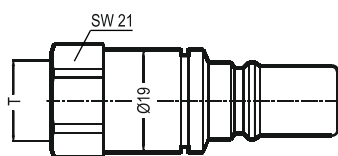
MM T109 NGB 17

NPT 3/8" Female Threaded MM T109 Shut-off Coupler
NPT 3/8" absperrbare Kupplung mit Innengewinde für MM T109 Multikupplung



MM T109 EGB 00

MM T109 Shut-off Coupler For Collector
MM T109 absperrbare Kupplung für Kollektor



MK T109 DU 17

BSP 3/8" Female Threaded Unvalved Plug for MK T109 Manifold
BSP 3/8" Anschlußnippel mit Innengewinde für MK T109 Multikupplung

MK T109 NU 17

NPT 3/8" Female Threaded Unvalved Plug for MK T109 Manifold
NPT 3/8" Anschlußnippel mit Innengewinde für MK T109 Multikupplung

Multi Couplings Systems
for quick changing of injection moulding
and die cast equipments

Multikupplungssysteme
für schnelles Wechseln und Verbinden
der Kokillen und Spritzgußformen

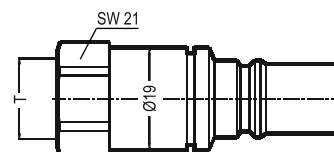
MULTI COUPLINGS SYSTEMS MULTIKUPPLUNGSSYSTEME

MK T109 DUB 17

BSP 3/8" Female Threaded Shut-off Plug for MK T109 Manifold
BSP 3/8" absperrbare Nippel mit Innengewinde für MK T109 Manifold

MK T109 NUB 17

NPT 3/8" Female Threaded Shut-off Plug for MK T109 Manifold
NPT 3/8" absperrbare Nippel mit Innengewinde für MK T109 Manifold

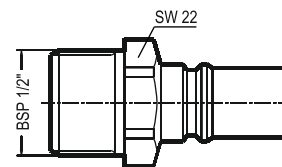


T101.09 EU 21

BSP 1/2" Male Threaded Unvalved Plug for MK T109.10 Manifold
BSP 1/2" Nippel mit Außengewinde für MK T109.10 Manifold

T101.09 EUB 21

BSP 1/2" Male Threaded Shut-off Plug for MK T109.10V Manifold
BSP 1/2" absperrbare Nippel mit Außengewinde für MK T109.10V Manifold

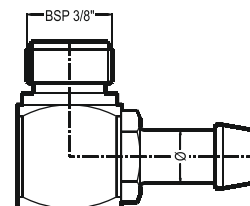


T109 EB 17.10

Elbow Ø10 (3/8") Hose Tail
Winkel Ø10 (3/8") Schlauchanschluß

T109 EB 17.12

Elbow Ø12 Hose Tail
Winkel Ø12 Schlauchanschluß

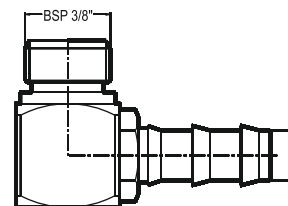


T109 EF 17.10

Elbow Ø10 (3/8") Push-lock Hose Tail
Winkel Ø10 Schlauchanschluß ohne Klemmen

T109 EF 17.13

Elbow Ø12 Push-lock Hose Tail
Winkel Ø12 Schlauchanschluß ohne Klemmen

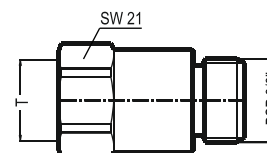


T109 EN 17

BSP 3/8" Female - BSP 3/8" Male Extantion
BSP 3/8" Innengewinde -BSP 3/8" Außengewinde Verlängerung

T109 NN 17

NPT 3/8" Female - BSP 3/8" Male Extantion
NPT 3/8" Innengewinde - BSP 3/8" Außengewinde Verlängerung



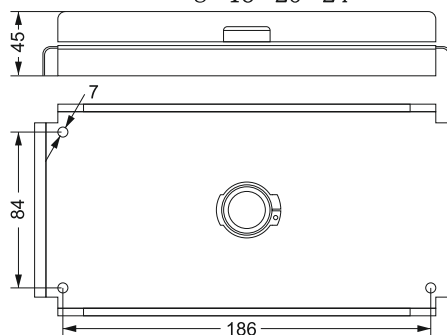
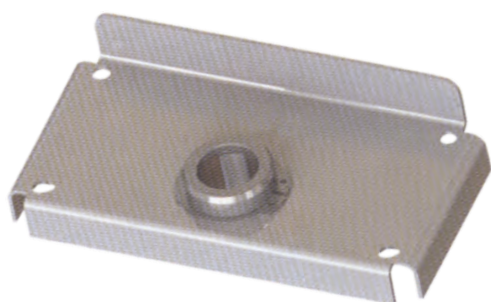
Multi Couplings Systems
for quick changing of injection moulding
and die cast equipments

Multikupplungssysteme
für schnelles Wechseln und Verbinden
der Kokillen und Spritzgußformen

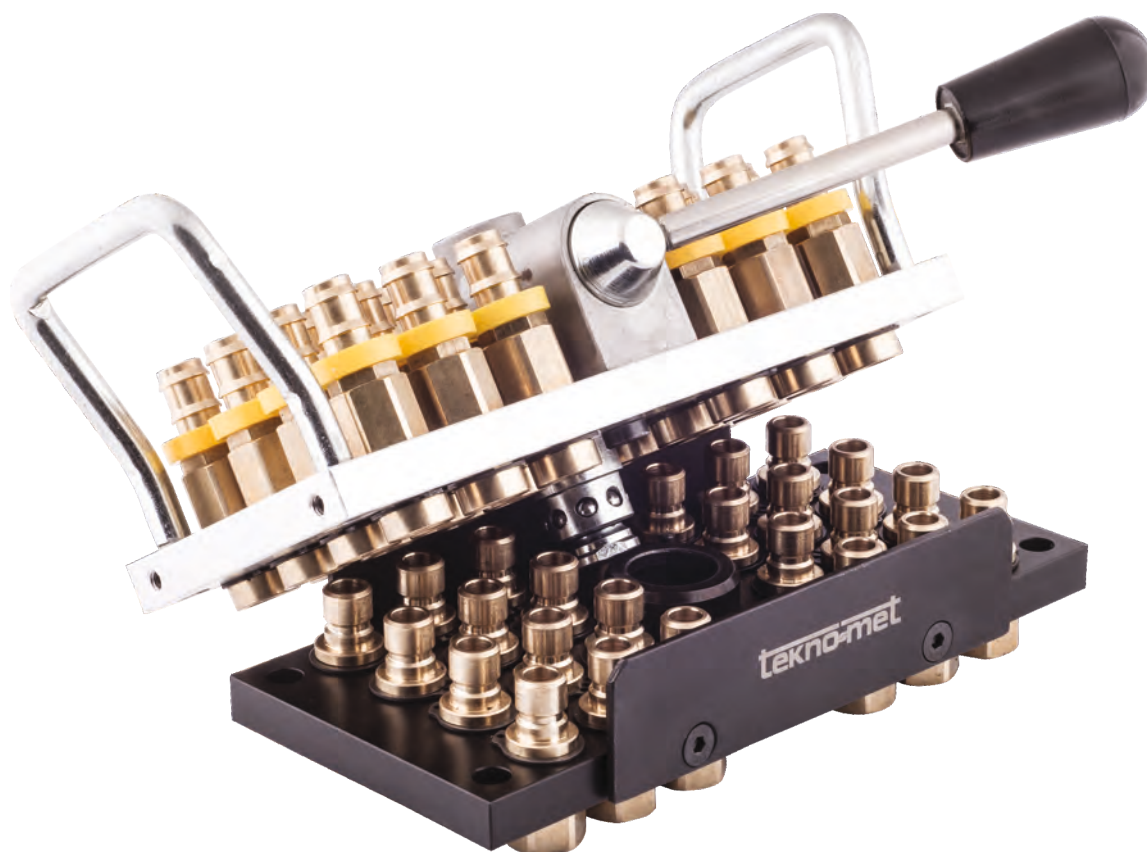
MULTI COUPLINGS SYSTEMS MULTIKUPPLUNGSSYSTEME

PARKING PLATES FOR MM MOBILE MANIFOLDS
PARKPLATTEN FÜR MM MOBILE MANIFOLDS

For mobile side
Für die mobile Seite
8 - 16 - 20 - 24



MM T109.12P
MM T106 & MM T109 Support Plate for (6,10,12 series)
MM T106 ve MM T109 Parkplatte für Manifolds (6,10,12 seriler)
Mobile multi-coupling Plates



Multi Couplings Systems
for quick changing of injection moulding
and die cast equipments

Multikupplungssysteme
für schnelles Wechseln und Verbinden
der Kokillen und Spritzgußformen

MULTI COUPLINGS SYSTEMS MULTIKUPPLUNGSSYSTEME

5 ↔ 5

MM T112.10HGB 13

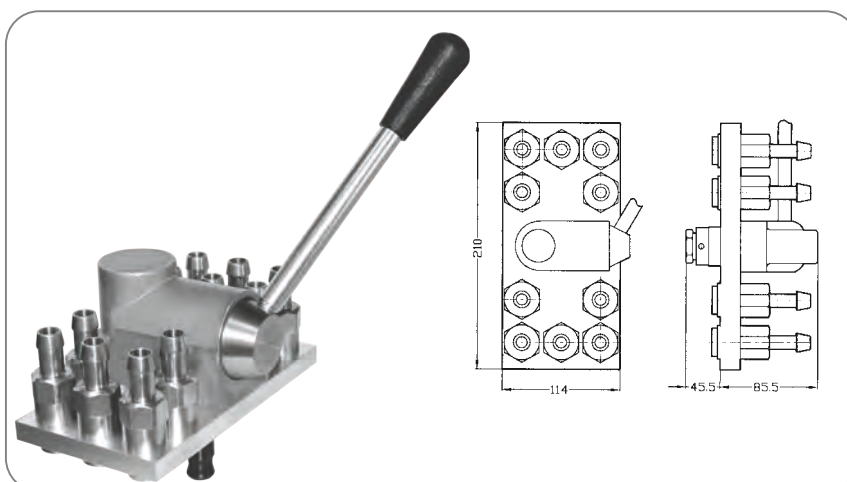
T112.10 MM Mobile Plate with 10 Unit Ø10 (1/2")
Hose Tail Shut-off Coupler (5 Circuit)

T112.10 MM Platte mit 10 Einheiten Ø10 (1/2")
absperbare Kupplung mit Schlauchanschluß (5 Wege)

MM T112.10HGB 16

T112.10 MM Mobile Plate with 10 Unit
Ø16 (5/8") Hose Tail Shut-off Coupler (5 Circuit)

T112.10 MM Platte mit 10 Einheiten Ø16 (5/8")
absperbare Kupplung mit Schlauchanschluß (5 Wege)



MM T112.10DGB 21

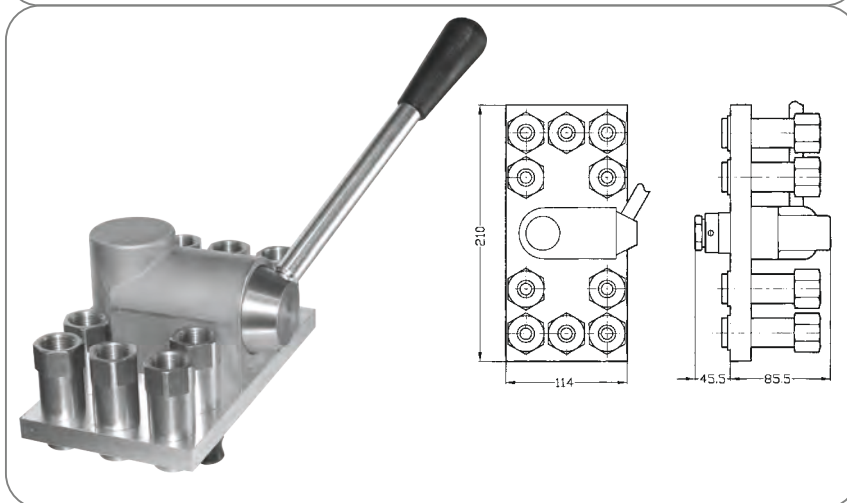
T112.10 MM Mobile Plate with 10 Unit BSP 1/2"
Female Threaded Shut-off Coupler (5 Circuit)

T112.10 MM Platte mit 10 Einheiten BSP 1/2"
absperbare Kupplung mit Innengewinde (5 Wege)

MM T112.10NGB 21

T112.10 MM Mobile Plate with 10 Unit NPT 1/2"
Female Threaded Shut-off Coupler (5 Circuit)

T112.10 MM Platte mit 10 Einheiten NPT 1/2"
absperbare Kupplung mit Innengewinde (5 Wege)



MK T112.10V (BSP 1/2")

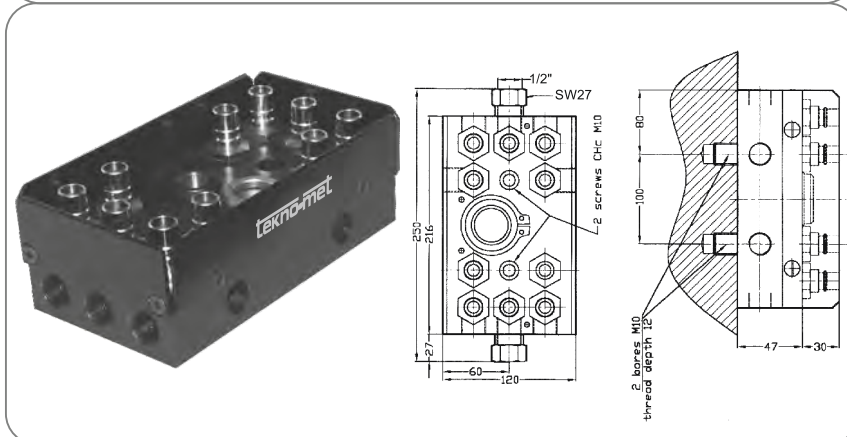
T112.10 MK Mould Plate with 10 Unit
Shut-off Valved Plug (5 Circuit)

T112.10 Werkzeugseitige Platte mit
10 Einheiten Nippel mit Ventil (5 Wege)

MK T112.10V (BSP 1/2")

T112.10 MK Mould Plate with 10 Unit
Unvalved Plug (5 Circuit)

T112.10 MK Werkzeugseitige Platte mit
10 Einheiten Nippel ohne Ventil (5 Wege)

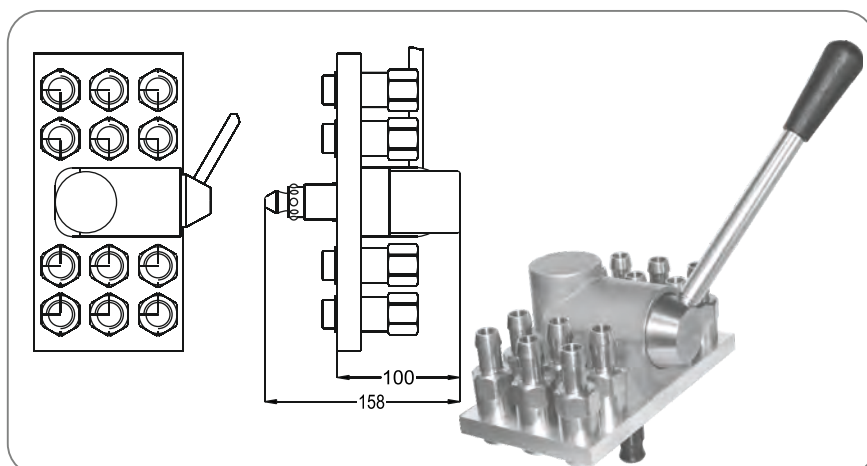


Multi Couplings Systems
for quick changing of injection moulding
and die cast equipments

Multikupplungssysteme
für schnelles Wechseln und Verbinden
der Kokillen und Spritzgußformen

MULTI COUPLINGS SYSTEMS MULTIKUPPLUNGSSYSTEME

6 ↔ 6



MM T112.12HGB 13

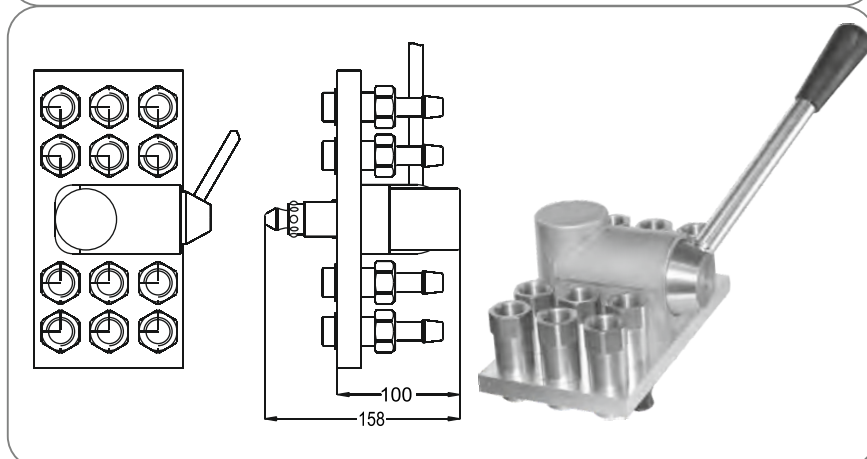
T112.12 MM Mobile Plate with 12 Unit Ø10 (1/2")
Hose Tail Shut-off Coupler (6 Circuit)

T112.12 MM Platte mit 12 Einheiten Ø10 (1/2")
absperrbare Kupplung mit Schlauchanschluß (6 Wege)

MM 112.12HGB 16

T112.12 MM Mobile Plate with 12 Unit
Ø16 (5/8") Hose Tail Shut-off Coupler (6 Circuit)

T112.12 MM Platte mit 12 Einheiten Ø16 (5/8")
absperrbare Kupplung mit Schlauchanschluß (6 Wege)



MM T112.12DGB 21

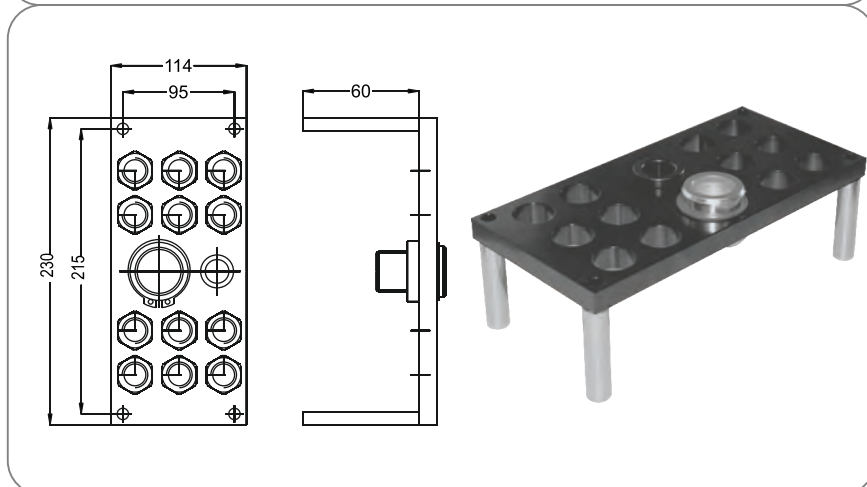
T112.12 MM Mobile Plate with 12 Unit BSP 1/2"
Female Threaded Shut-off Coupler (6 Circuit)

T112.12 MM Platte mit 12 Einheiten BSP 1/2"
absperrbare Kupplung mit Innengewinde (6 Wege)

MM T112.12NGB 21

T112.12 MM Mobile Plate with 12 Unit NPT 1/2"
Female Threaded Shut-off Coupler (6 Circuit)

T112.12 MM Platte mit 12 Einheiten NPT 1/2"
absperrbare Kupplung mit Innengewinde (6 Wege)



MK T112.12

T112.12 MK Mould Plate for 12
Unit Plugs (6 Circuit)

T112.12 MK Werkzeugseitige Platte
für 12 Nippel (6 Wege)

Multi Couplings Systems
for quick changing of injection moulding
and die cast equipments

Multikupplungssysteme
für schnelles Wechseln und Verbinden
der Kokillen und Spritzgußformen

MULTI COUPLINGS SYSTEMS MULTIKUPPLUNGSSYSTEME

9 ⇄ 9

MM T112.18HGB 13

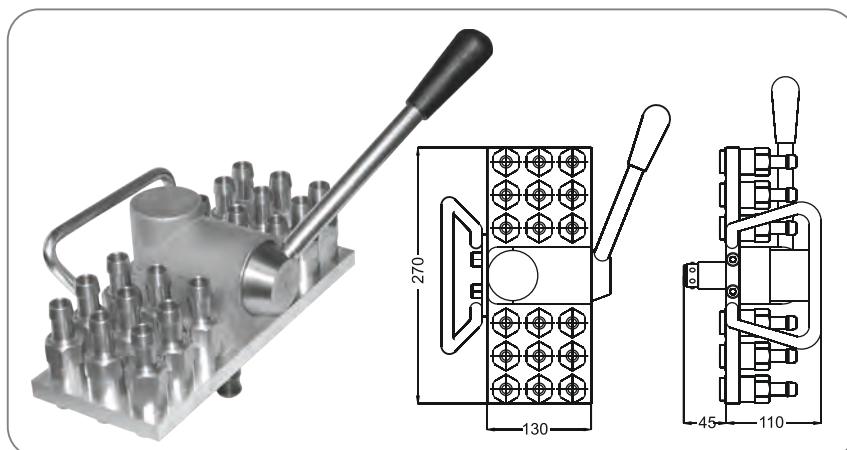
T112.18 MM Mobile Plate with 18 Unit
Ø13 (3/8") Hose Tail Shut-off Coupler (9 Circuit)

T112.18 MM Platte mit 18 Einheiten Ø13 (3/8")
absperrbare Kupplung mit Schlauchanschluß (9 Wege)

MM T112.18HGB 16

T112.18 MM Mobile Plate with 18 Unit
Ø16 (5/8") Hose Tail Shut-off Coupler (9 Circuit)

T112.18 MM Platte mit 18 Einheiten Ø16 (5/8")
absperrbare Kupplung mit Schlauchanschluß (9 Wege)



MM T112.18DGB 21

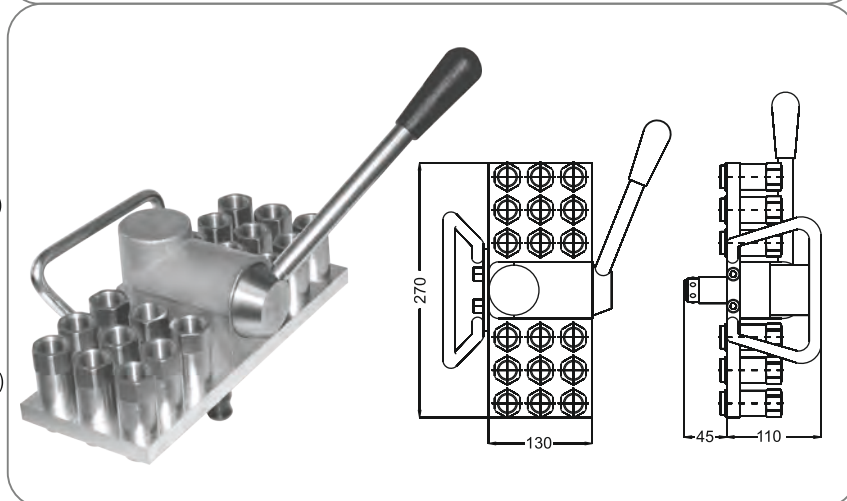
T112.18 MM Mobile Plate with 18 Unit
BSP 1/2" Female Threaded Shut-off Coupler (9 Circuit)

T112.18 MM Platte mit 18 Einheiten BSP 1/2"
absperrbare Kupplung mit Innengewinde (9 Wege)

MM T112.18NGB 21

T112.18 MM Mobile Plate with 18 Unit
NPT 1/2" Female Threaded Shut-off Coupler (9 Circuit)

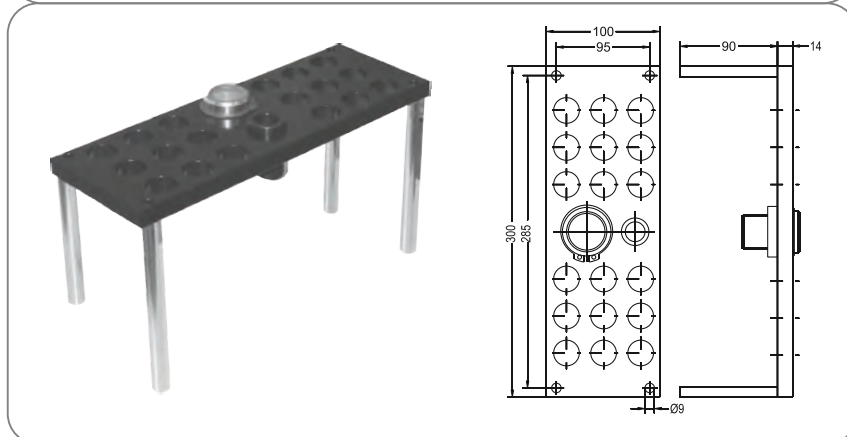
T112.18 MM Platte mit 18 Einheiten NPT 1/2"
absperrbare Kupplung mit Innengewinde (9 Wege)



MK T112.18

T112.18 MK Mould Plate for 18
Unit Plugs (9 Circuit)

T112.18 MK Werkzeugseitige Platte
für 18 Nippel (9 Wege)

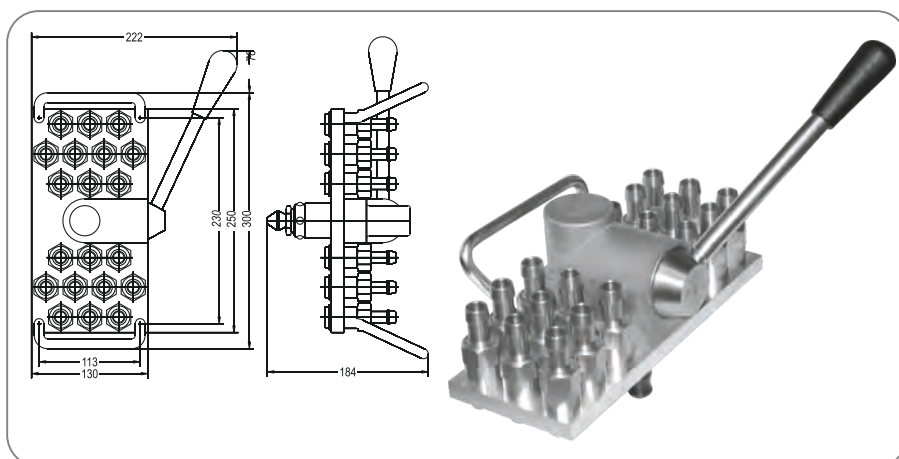


Multi Couplings Systems
for quick changing of injection moulding
and die cast equipments

Multikupplungssysteme
für schnelles Wechseln und Verbinden
der Kokillen und Spritzgußformen

MULTI COUPLINGS SYSTEMS MULTIKUPPLUNGSSYSTEME

10 ⇄ 10



MM T112.20HGB 13

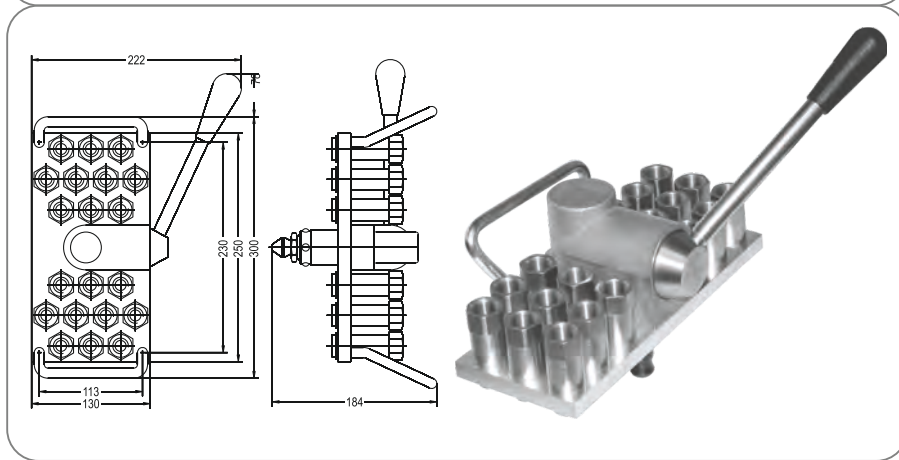
MM T112.20 Mobile Plate with 20 Unit
Ø13 (3/8") Hose Tail Shut-off Coupler (10 Circuit)

MM T112.20 Platte mit 20 Einheiten Ø13 (3/8")
absperrbare Kupplung mit Schlauchanschluß
(10 Wege)

MM T112.20HGB 16

MM T112.20 Mobile Plate with 20 Unit
Ø16 (5/8") Hose Tail Shut-off Coupler (10 Circuit)

MM T112.20 Platte mit 20 Einheiten Ø16 (5/8")
absperrbare Kupplung mit Schlauchanschluß
(10 Wege)



MM T112.20DGB 21

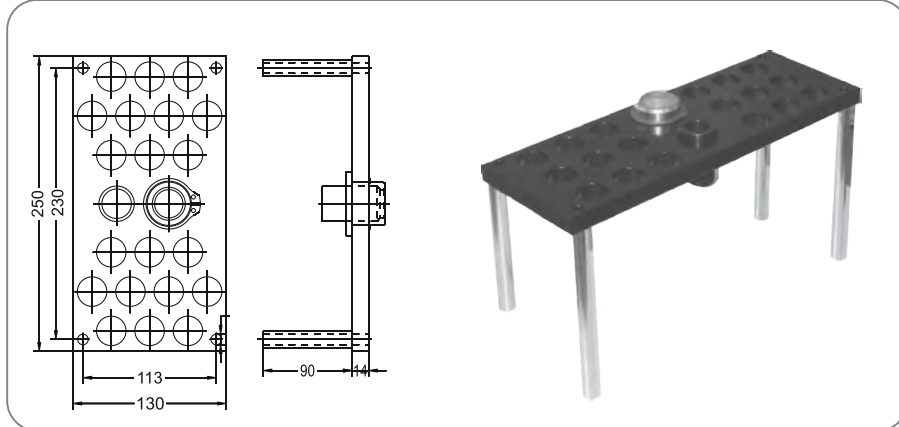
MM T112.20 Mobile Plate with 20 Unit BSP 1/2"
Female Threaded Shut-off Coupler (10 Circuit)

MM T112.20 Platte mit 20 Einheiten BSP 1/2"
absperrbare Kupplung mit Innengewinde (10 Wege)

MM T112.20NGB 21

MM T112.20 Mobile Plate with 20 Unit NPT 1/2"
Female Threaded Shut-off Coupler (10 Circuit)

MM T112.20 Platte mit 20 Einheiten NPT 1/2"
absperrbare Kupplung mit Innengewinde (10 Wege)



MK 112.20

MK T112.20 Mould Plate for 20
UniTt Plugs (10 Circuit)

MK T112.20 Werkzeugseitige Platte
für 20 Nippel (10 Wege)

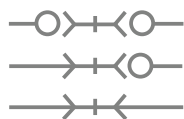
Multi Couplings Systems
for quick changing of injection moulding
and die cast equipments

Multikupplungensysteme
für schnelles Wechseln und Verbinden
der Kokillen und Spritzgußformen

MULTI COUPLINGS SYSTEMS MULTIKUPPLUNGSSYSTEME

QUICK COUPLINGS FOR MOULD AND MANIFOLD

SCHNELLVERSCHLUSSKUPPLUNGEN FÜR MANIFOLD



Interchangeability - Kompatibilität

Unsere Produktlinien arbeiten mit
größeren Herstellern zusammen.
Our product lines work with bigger
manufacturers.

Material - Material

Coupler Body -
Kupplungsgrundkörper

:Brass - Messing

Valve - Ventil

Springs - Federn

Seals - Dichtungen

Plug - Nippel

:Brass - Messing

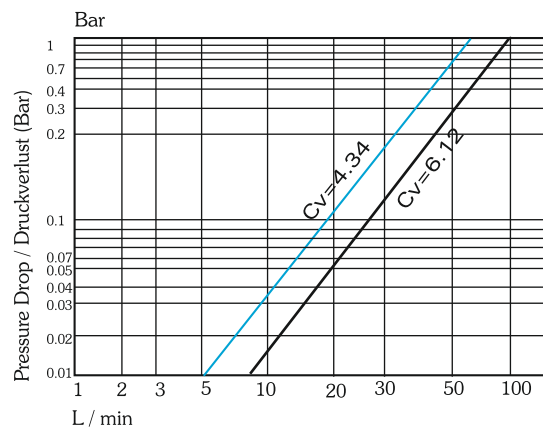
:Stainless Steel - Edelstahl

:Fluorocarbon FPM (V)

:Brass Nickel Plated -
Messing Vernickelt



| | | |
|--|--|---------------|
| Ø Nominal - Nennweite (mm) | 12 | |
| Working Pressure - Betriebsdruck (bar) | 16 | |
| Cross section - Querschnitt (mm ²) | 113 | |
| Working Temperature - Betriebstemp eratur | V - (FPM) Fluorocarbon / Fluor-carbon | -10 °C +200°C |
| | E - (EPDM) Ethylene Prop. / Ethylene-propylene | -20 °C +150°C |
| | Ni - (NBR) Nitrile / Nitrilgummi | -15 °C +100°C |
| Flowing - Absperrung | Single Shut-Off / Einseitig absperbar | |
| | Double Shut-Off / Beideseitig absperbar | |
| | Full Flow / Nicht absperbar | |



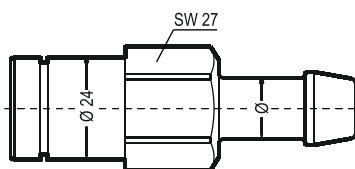
— Double Shut-off / Beideseitig absperbar
— Single Shut-off / Einseitig absperbar

Flow direction - Flußrichtung : Plug to socket - von stecker zu Kupplung
Oil Viscosity at - Öl Viskosität 40° : C:13.4 cst

Multi Couplings Systems
for quick changing of injection moulding
and die cast equipments

Multikupplungssysteme
für schnelles Wechseln und Verbinden
der Kokillen und Spritzgußformen

MULTI COUPLINGS SYSTEMS MULTIKUPPLUNGSSYSTEME

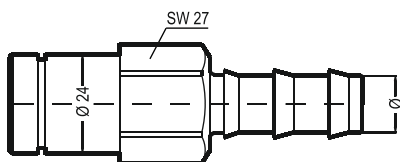


MM T112 HGB 13

Ø13 (1/2") Hose Tail Shut-off Coupler for MM T112 Manifold
Ø13 (1/2") absperbare Kupplung mit Schlauchanschluß für MM T112 Multikupplung

MM 112 HGB 16

Ø16 (5/8") Hose Tail Shut-off Coupler for MM T112 Manifold
Ø16 (5/8") absperbare Kupplung mit Schlauchanschluß für MM T112 Multikupplung

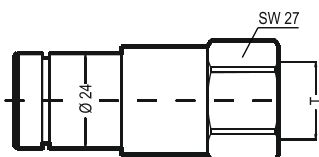


MM T112 FGB 13

Ø16 (1/2") Push-lock Hose Tail MM T112 Shut-off Coupler
Ø16 (1/2") absperbare Kupplung mit automatisch verschließbarer
Schlauchanschluß für MM T112 Multikupplung

MM T112 FGB 16

Ø13 (5/8") Push-lock Hose Tail MM T112 Shut-off Coupler
Ø13 (5/8") absperbare Kupplung mit automatisch verschließbarer
Schlauchanschluß für MM T112 Multikupplung

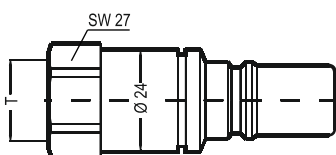


MM T112 DGB 21

BSP 1/2" Female Threaded Shut-off Coupler for MM T112 Manifold
BSP 1/2" absperbare Kupplung mit Innengewinde für MM T112 Multikupplung

MM T112 NGB 21

NPT 1/2" Female Threaded Shut-off Coupler for MM T112 Manifold
NPT 1/2" absperbare Kupplung mit Innengewinde für MM T112 Multikupplung

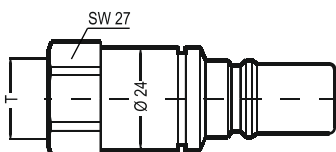


MK T112 DU 21

BSP 1/2" Female Threaded Unvalved Plug for MK T112 Manifold
BSP 1/2" Anschlußnippel mit Innengewinde für MK T112 Multikupplung

MK 112 NU 21

NPT 1/2" Female Threaded Unvalved Plug for MK 112 Manifold
NPT 1/2" Anschlußnippel mit Innengewinde für MK 112 Multikupplung



MK T112 DUB 21

BSP 1/2" Female Threaded Shut-off Plug for MK T112 Manifold
BSP 1/2" absperbare Nippel mit innengewinde für MK T112 Manifold

MK T112 NUB 21

NPT 1/2" Female Threaded Shut-off Plug for MK T112 Manifold
NPT 1/2" absperbare Nippel mit innengewinde für MK T12 Manifold

Multi Couplings Systems
for quick changing of injection moulding
and die cast equipments

Multikupplungensysteme
für schnelles Wechseln und Verbinden
der Kokillen und Spritzgußformen

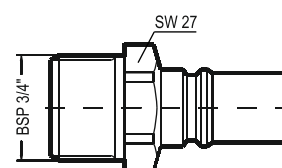
MULTI COUPLINGS SYSTEMS MULTIKUPPLUNGSSYSTEME

T101.12 EU 26

BSP 3/4" Male Threaded Unvalved Plug for MK 112.10 Manifold
BSP 3/4" Nippel mit Außengewinde für MK 112.10 Manifold

T101.12 EUB 26

BSP 3/4" Male Threaded Shut-off Plug for MK 112.10V Manifold
BSP 3/4" absperrbare Nippel mit Außengewinde für MK 112.10V Manifold

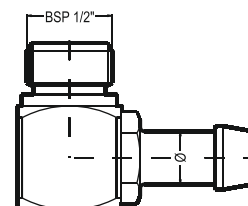


T112 EB 21.13

Elbow Ø13 (1/2") Hose Tail
Winkel Ø13 (1/2") Schlauchanschluß

T112 EB 21.16

Elbow Ø16 (5/8") Hose Tail
Winkel Ø16 (5/8") Schlauchanschluß

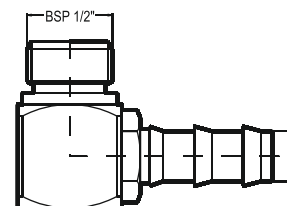


T112 EF 21.13

Elbow Ø13 (1/2") Push-lock Hose Tail
Winkel Ø13 (1/2") Schlauchanschluß ohne Klemmen

T112 EF 21.16

Elbow Ø16 (5/8") Push-lock Hose Tail
Winkel Ø16 (5/8") Schlauchanschluß ohne Klemmen

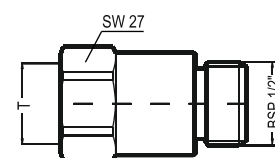


T112 EN 21

BSP 1/2" Female-BSP 1/2" Male Extension
BSP 1/2" Innengewinde-BSP 1/2" Außengewinde Verlängerung

T112 NN 21

NPT 1/2" Female-BSP 1/2" Male Extension
NPT 1/2" Innengewinde-BSP 1/2" Außengewinde Verlängerung

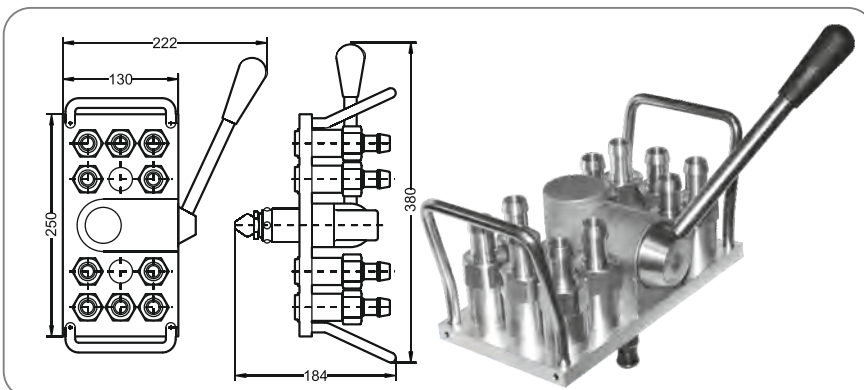


Multi Couplings Systems
for quick changing of injection moulding
and die cast equipments

Multikupplungssysteme
für schnelles Wechseln und Verbinden
der Kokillen und Spritzgußformen

MULTI COUPLINGS SYSTEMS MULTIKUPPLUNGSSYSTEME

5 ↔ 5



MM T116.10HGB 16

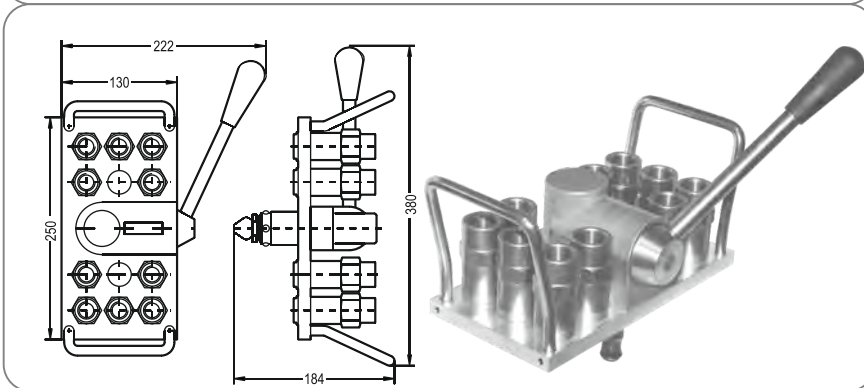
MM T116.10 Machine Side Plate with 10 Unit
Ø16 Hose Tail Shut-off Coupler (5 Circuit)

MM T116.10 Platte mit 10 Einheiten Ø 16
absperrbare Kupplung mit Schlauchanschluß (5 Wege)

MM 116.10HGB 19

MM T116.10 Machine Side Plate with 10 Unit
Ø19 (3/4") Hose Tail Shut-off Coupler (5 Circuit)

MM T116.10 Platte mit 10 Einheiten Ø 19
absperrbare Kupplung mit Schlauchanschluß (5 Wege)



MM T116.10DGB 26

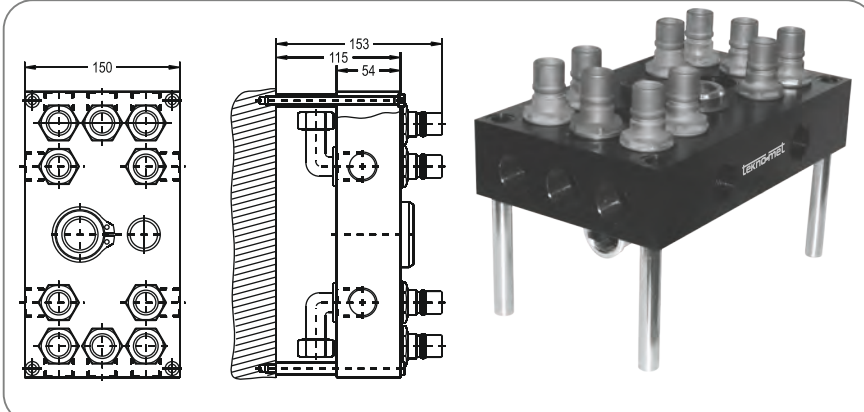
MM T116.10 Machine Side Plate with 10 Unit BSP 3/4"
Female Threaded Shut-off Coupler (5 Circuit)

MM T116.10 Platte mit 10 Einheiten BSP 3/4"
absperrbare Kupplung mit Innengewinde (5 Wege)

MM T116.10NGB 26

MM T116.10 Machine Side Plate with 10 Unit
NPT 3/4" Female Threaded Shut-off Coupler (5 Circuit)

MM T116.10 Platte mit 10 Einheiten NPT 3/4"
absperrbare Kupplung mit Innengewinde (5 Wege)



MK T116.10 BSP 3/4"

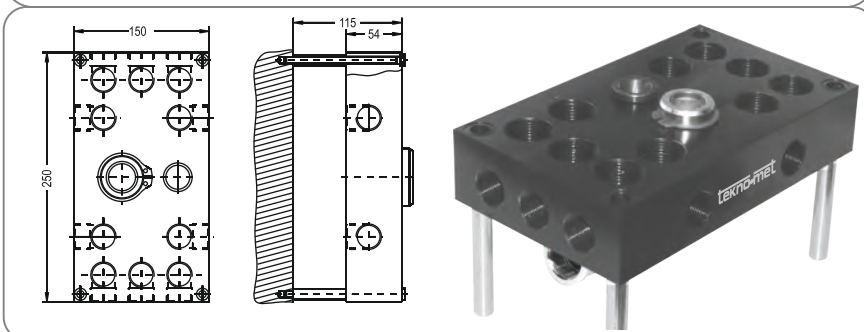
MK T116.10N NPT 3/4"
MK T116.10 Mould Plate with 10 Unit
Unvalved Plugs (5 Circuit)

MK T116.10 Werkzeugseitige Platte mit
10 Nippel mit Ohne Ventil (5 Wege)

MK T116.10V BSP 3/4"

MK T116.10NV NPT 3/4"
T116.10 MK Mould Plate with 10 Unit
Shut-off Valved Plugs (5 Circuit)

T116.10 MK Werkzeugseitige Platte
mit 10 Nippel mit Ventil (5 Wege)



MK T116.10BP (BSP 3/4")

MK T116.10BPN (NPT 3/4")

T116.10 MK Mould Plate for 10 Unit Plugs (5 Circuit)

T116.10 MK Werkzeugseitige Platte für Nippel (5 Wege)

Multi Couplings Systems
for quick changing of injection moulding
and die cast equipments

Multikupplungssysteme
für schnelles Wechseln und Verbinden
der Kokillen und Spritzgußformen

MULTI COUPLINGS SYSTEMS MULTIKUPPLUNGSSYSTEME

6 ↔ 6

MM T116.12HGB 16

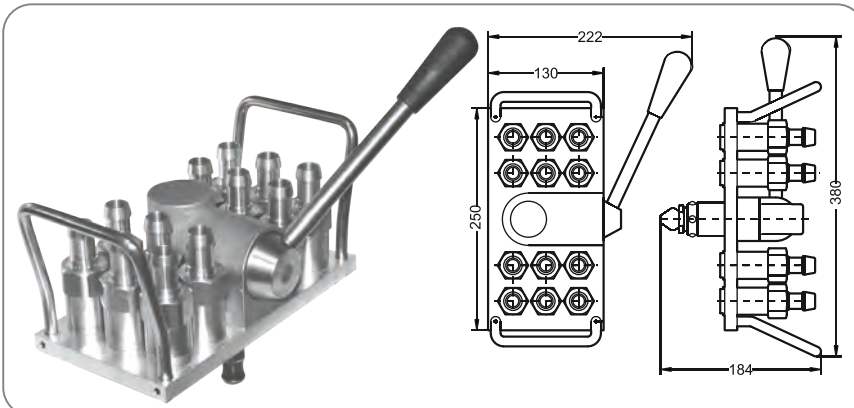
MM T116.12 Machine Side Plate With 12 Unit
Ø16 Hose Tail Shut-off Coupler (6 Circuit)

MM T116.12 Platte mit 12 Einheiten Ø 16 (5/8")
absperbare Kupplung mit Schlauchanschluß (6 Wege)

MM T116.12HGB 19

MM T116.12 Machine Side Plate With 12 Unit
Ø19 (3/4") Hose Tail Shut-off Coupler (6 Circuit)

MM T116.12 Platte mit 12 Einheiten Ø 19 (3/4")
absperbare Kupplung mit Schlauchanschluß (6 Wege)



MM T116.12DGB 26

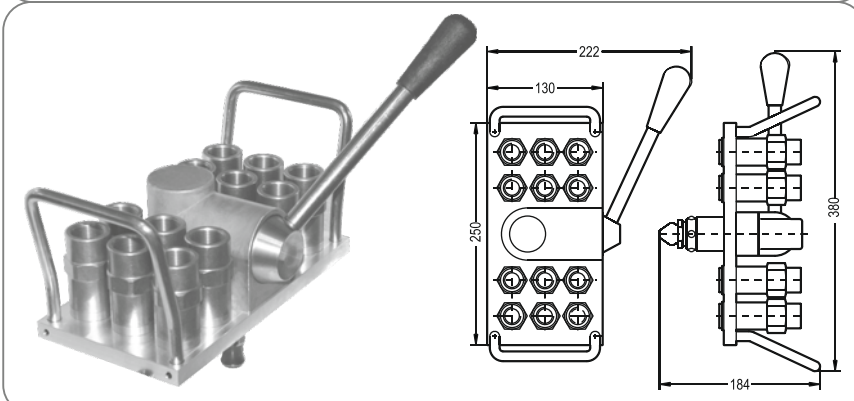
MM T116.12 Machine Side Plate With 12 Unit
BSP 3/4" Female Threaded Shut-off Coupler (6 Circuit)

MM T116.12 Platte mit 12 Einheiten BSP 3/4"
absperbare Kupplung mit Innengewinde (6 Wege)

MM T116.12NGB 26

MM T116.12 Machine Side Plate With 12 Unit
NPT 3/4" Female Threaded Shut-off Coupler (6 Circuit)

MM T116.12 Platte mit 12 Einheiten NPT 3/4"
absperbare Kupplung mit Innengewinde (6 Wege)



MK T116.12 BSP 3/4"

MK T116.12N NPT 3/4"

MK T116.12 Mould Plate With 12 Unit
Unvalved Plugs (6 Circuit)

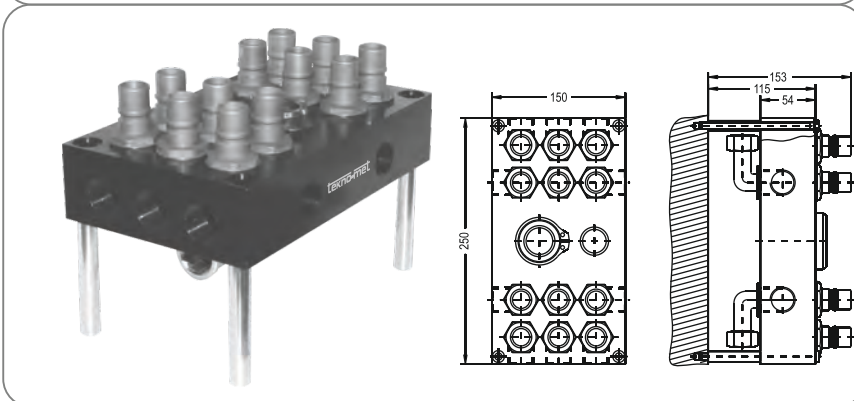
MK T116.12 Werkzeugseitige Platte
mit 12 Nippel mit Ohne Ventil (6 Wege).

MK T116.12V BSP 3/4"

MK T116.12NV NPT 3/4"

MK T116.12 Mould Plate With 12 Unit
Shut-off Valved Plugs (6 Circuit)

MK T116.12 Werkzeugseitige Platte
mit 12 Nippel mit Ventil (6 Wege)

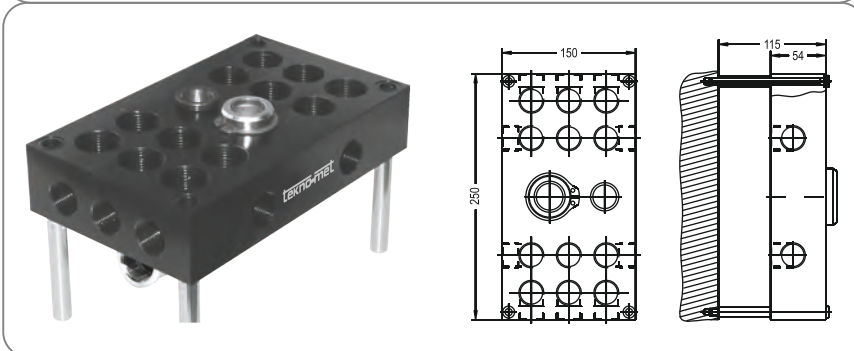


MK T116.12BP (BSP 3/4")

MK T116.12BPN (NPT 3/4")

MK T116.12 Mould Plate for 12 Unit Plugs (6 Circuit)

MK T116.12 Werkzeugseitige Platte für Nippel (6 Wege)



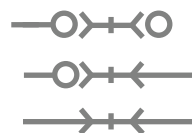
Multi Couplings Systems
for quick changing of injection moulding
and die cast equipments

Multikupplungssysteme
für schnelles Wechseln und Verbinden
der Kokillen und Spritzgußformen

MULTI COUPLINGS SYSTEMS MULTIKUPPLUNGSSYSTEME

QUICK COUPLINGS FOR MOULD AND MANIFOLD

SCHNELLVERSCHLUSSKUPPLUNGEN FÜR MANIFOLD



Interchangeability - Kompatibilität

Unsere Produktlinien arbeiten mit
größeren Herstellern zusammen.

Material - Material

Coupler Body -

Kupplungsgrundkörper

: Brass - Messing

Valve - Ventil

: Brass - Messing

Springs - Federn

: Stainless Steel - Edelstahl

Seals - Dichtungen

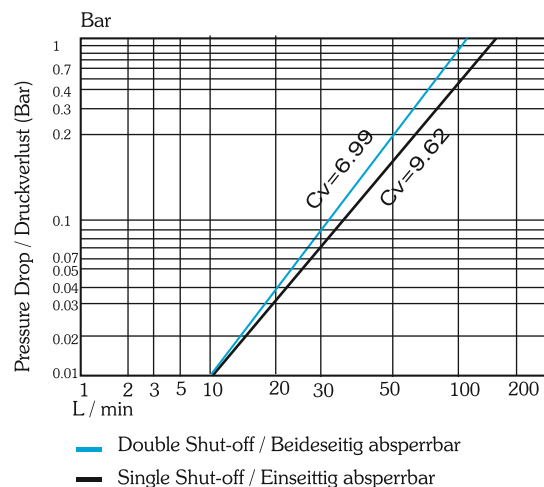
: Fluorocarbon FPM (V)

Plug Body - Nippel

: Stainless Steel -

Edelstahl (AISI 420)

| | | |
|--|--|---------------|
| Ø Nominal - Nennweite (mm) | 16 | |
| Working Pressure - Betriebsdruck (bar) | 16 | |
| Cross section - Querschnitt (mm ²) | 201 | |
| Working Temperature - Betriebstemperatur | V - (FPM) Fluorocarbon / Fluor-carbon | -10 °C +200°C |
| | E - (EPDM) Ethylene Prop. / Ethylene-propylene | -20 °C +150°C |
| | Ni - (NBR) Nitrile / Nitrilgummi | -15 °C +100°C |
| Flowing - Absperrung | Single Shut-Off / Einseitig absperbar | |
| | Double Shut-Off / Beideseitig absperbar | |
| | Full Flow / Nicht absperbar | |



Flow direction - Flußrichtung : Plug to socket - von Stecker zu Kupplung
Oil Viscosity at - Öl Viskosität 40° : C:13.4 cst

Multi Couplings Systems
for quick changing of injection moulding
and die cast equipments

Multikupplungssysteme
für schnelles Wechseln und Verbinden
der Kokillen und Spritzgußformen

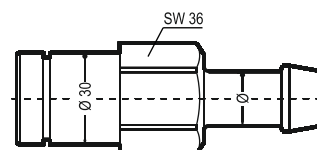
MULTI COUPLINGS SYSTEMS MULTIKUPPLUNGSSYSTEME

MM T116 HGB 16

Ø16 (5/8") Hose Tail MM T116 Shut-off Coupler
Ø16 (5/8") Schlauchanschluß MM T116 absperrbare Kupplung

MM T116 HGB 19

Ø19 (3/4") Hose Tail MM T116 Shut-off Coupler
Ø19 (3/4") Schlauchanschluß MM T116 absperrbare Kupplung

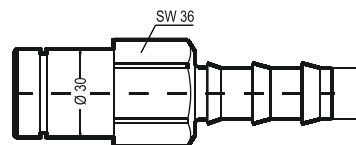


MM T116 FGB 16

Ø16 (5/8") Push-lock Hose Tail MM T116 Shut-off Coupler
Ø16 (5/8") automatisch verschließbare
Schlauchanschluß MM T116 absperrbare Kupplung

MM T116 FGB 19

Ø19 (3/4") Push-lock Hose Tail MM T116 Shut-off Coupler
Ø19 (3/4") automatisch verschließbare
Schlauchanschluß MM T116 absperrbare Kupplung

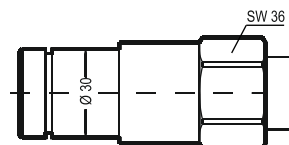


MM T116 DGB 26

BSP 3/4" Female Threaded MM T116 Shut-off Coupler
BSP 3/4" MM T116 absperrbare Kupplung mit Innengewinde

MM T116 NGB 26

NPT 3/4" Female Threaded MM T116 Shut-off Coupler
NPT 3/4" MM T116 absperrbare Kupplung mit Innengewinde

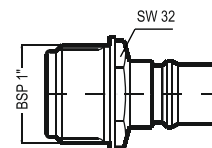


MK T116 EU 33

BSP 1" Male Threaded MK T116 Unvalved Plug
BSP 1" Außengewinde MK T116 Nippel ohne Ventil

MK T116 EUB 33

BSP 1" Male Threaded MK T116 Shut-off Valved Plug
BSP 1" Außengewinde MK T116 Nippel mit absperrbarem Ventil

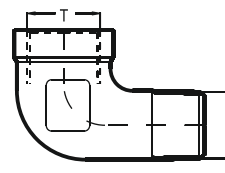


T116 EB 26

Elbow BSP 3/4" Female Threaded- BSP 3/4" Male Threaded
Winkel BSP 3/4" Innengewinde-BSP 3/4" Außengewinde

T116 NB 26

Elbow NPT 3/4" Female Threaded- BSP 3/4" Male Threaded
Winkel NPT 3/4" Innengewinde-BSP Außengewinde



Multi Couplings Systems
for quick changing of injection moulding
and die cast equipments

Multikupplungssysteme
für schnelles Wechseln und Verbinden
der Kokillen und Spritzgußformen

M T090M

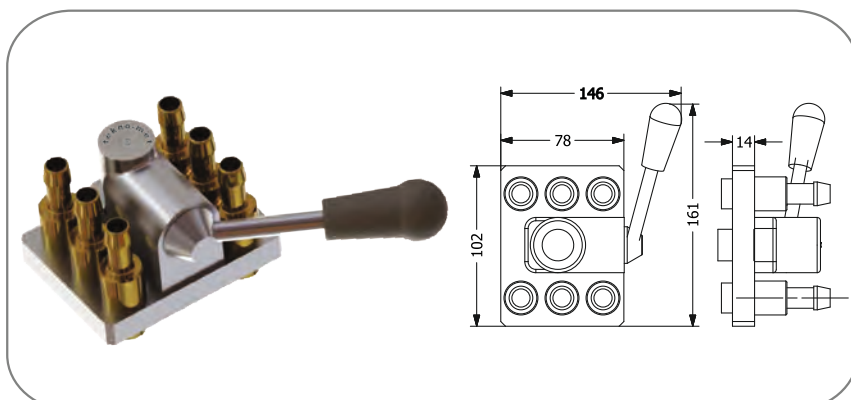
MULTI COUPLINGS SYSTEMS
MULTIKUPPLUNGSSYSTEME



Multi Couplings Systems
for quick changing of injection moulding
and die cast equipments

Multikupplungssysteme
für schnelles Wechseln und Verbinden
der Kokillen und Spritzgußformen

MULTI COUPLINGS SYSTEMS MULTIKUPPLUNGSSYSTEME 3 ↔ 3



MM T090.06HG 10



MM T090.06HGB 10



MM T090.06 Mobile Plate with 6 Unit Ø10 (3/8")
Hose Tail Shut-off Coupler (3 Circuit) (k/s)

MM T090.06 Platte mit 6 Einheiten Ø 8 (3/8")
absperrbare Kupplung mit Schlauchanschluß (3 Wege)

MM T090.06HG 12



MM T090.06HGB 12



MM T090.06 Mobile Plate with 6 Unit Ø12 (1/2")
Hose Tail Shut-off Coupler (3 Circuit)

MM T090.06 Platte mit 6 Einheiten Ø 12 (1/2")
absperrbare Kupplung mit Schlauchanschluß (3 Wege)

MM T090.06HG 10F



MM T090.06HGB 10F



MM T090.06 Mobile Plate with 6 Unit Ø10 (3/8")
Hose Tail Shut-off Coupler (3 Circuit)

MM T090.06 Platte mit 6 Einheiten Ø 10 (3/8")
absperrbare Kupplung mit Schlauchanschluß (3 Wege)

MM T090.06HG 12F



MM T090.06HGB 12F



MM T090.06 Mobile Plate with 6 Unit Ø12 (1/2")
Hose Tail Shut-off Coupler (3 Circuit)

MM T090.06 Platte mit 6 Einheiten Ø 12 (1/2")
absperrbare Kupplung mit Schlauchanschluß (3 Wege)

MM T090.06DG 17



MM T090.06DGB 17



MM T090.06 Mobile Plate with 6 Unit BSP 3/8"
Female Threaded Shut-off Coupler (3 Circuit)

MM T090.06 Platte mit 6 Einheiten BSP 3/8"
absperrbare Kupplung mit Schlauchanschluß (3 Wege)

MM T090.06NG 17

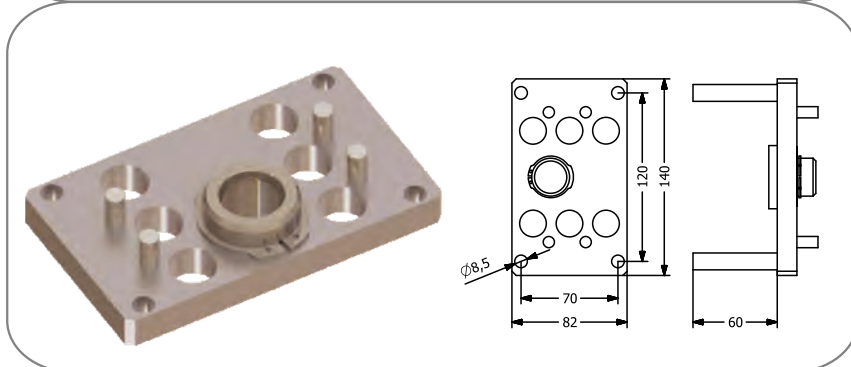


MM T1090.06NGB 17



MM T090.06 Mobile Plate with 6 Unit NPT 3/8"
Female Threaded Shut-off Coupler (3 Circuit)

MM T090.06 Platte mit 6 Einheiten NPT 3/8"
absperrbare Kupplung mit Schlauchanschluß (3 Wege)



MK T090.06

MK T090.06 Mould Plate
for 6 Unit Plugs (3 Circuit)

T090.06 MK Werkzeugseitige Platte
für 6 Einheiten Nippel (3 Wege)

Multi Couplings Systems
for quick changing of injection moulding
and die cast equipments

Multikupplungssysteme
für schnelles Wechseln und Verbinden
der Kokillen und Spritzgußformen

4 ↔ 4 MULTI COUPLINGS SYSTEMS MULTIKUPPLUNGSSYSTEME

MM T090.08HG 10



MM T090.08HGB 10



MM T090.08 Mobile Plate with 8 Unit Ø10 (3/8")
Hose Tail Shut-off Coupler (4 Circuit)ıks)

MM T090.08 Platte mit 8 Einheiten Ø 10 (3/8")
absperrbare Kupplung mit Schlauchanschluß (4 Wege)

MM T090.08HG 12



MM T090.08HGB 12



MM T090.08 Mobile Plate with 8 Unit Ø12 (1/2")
Hose Tail Shut-off Coupler (4 Circuit)

MM T090.08 Platte mit 8 Einheiten Ø 12 (1/2")
absperrbare Kupplung mit Schlauchanschluß (4 Wege)

MM T090.08HG 10F



MM T090.08HGB 10F



MM T090.08 Mobile Plate with 8 Unit Ø10 (3/8")
Hose Tail Shut-off Coupler (4 Circuit)

MM T090.08 Platte mit 8 Einheiten Ø 10 (3/8")
absperrbare Kupplung mit Schlauchanschluß (4 Wege)

MM T090.08HG 12F



MM T090.08HGB 12F



MM T090.08 Mobile Plate with 8 Unit Ø12 (1/2")
Hose Tail Shut-off Coupler (4 Circuit)

MM T090.08 Platte mit 8 Einheiten Ø 12 (1/2")
absperrbare Kupplung mit Schlauchanschluß (4 Wege)

MM T090.08DG 17



MM T090.08DGB 17



MM T090.08 Mobile Plate with 8 Unit BSP 3/8"
Female Threaded Shut-off Coupler (4 Circuit)

MM T090.08 Platte mit 8 Einheiten BSP 3/8"
absperrbare Kupplung mit Schlauchanschluß (4 Wege)

MM T090.08NG 17



MM T1090.08NGB 17



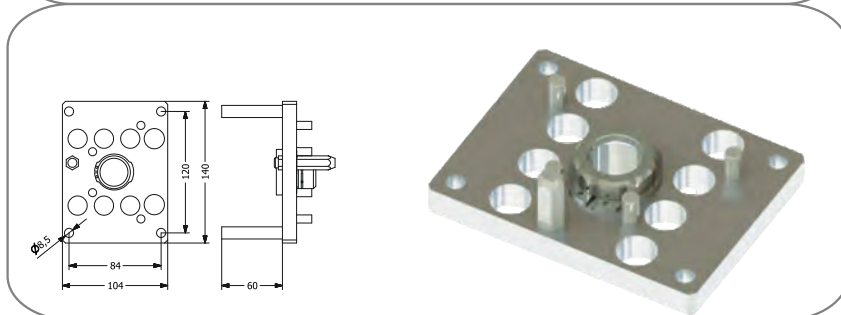
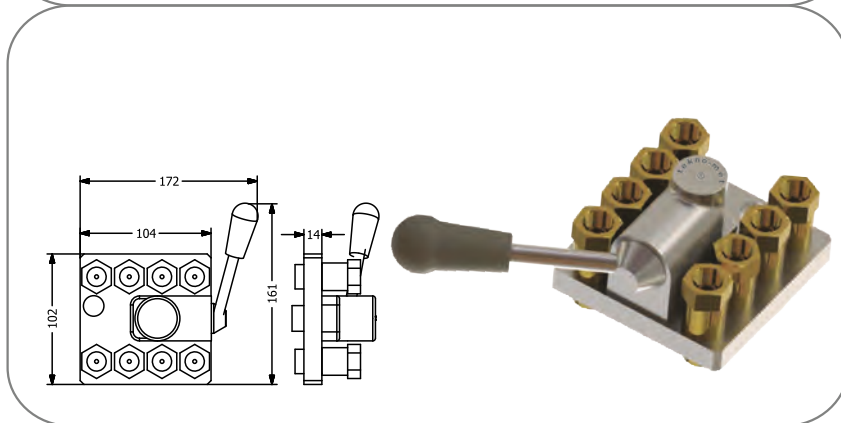
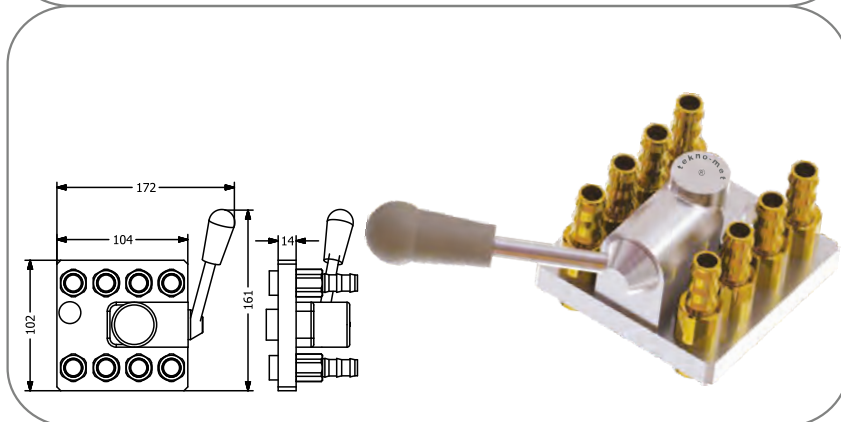
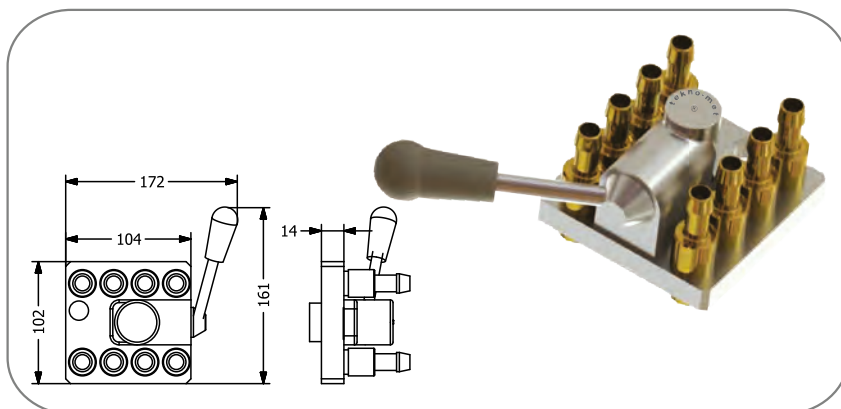
MM T090.08 Mobile Plate with 8 Unit NPT 3/8"
Female Threaded Shut-off Coupler (4 Circuit)

MM T090.08 Platte mit 8 Einheiten NPT 3/8"
absperrbare Kupplung mit Schlauchanschluß (4 Wege)

MK T090.08

MK T090.08 Mould Plate
for 8 Unit Plugs (4 Circuit)

T090.08 MK Werkzeugseitige Platte
für 8 Einheiten Nippel (4 Wege)



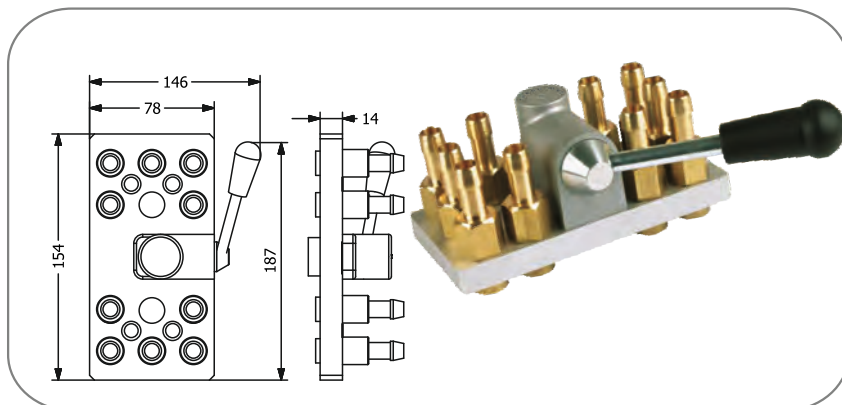
MULTI COUPLINGS SYSTEMS

MULTIKUPPLUNGSSYSTEME

5 ⇌ 5

Multi Couplings Systems
for quick changing of injection moulding
and die cast equipments

Multikupplungssysteme
für schnelles Wechseln und Verbinden
der Kokillen und Spritzgußformen

**MM T090.10HG 10****MM T090.10HGB 10**

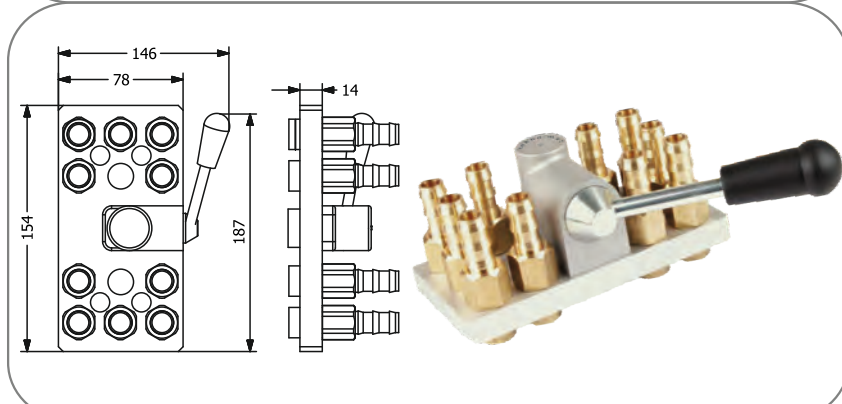
MM T090.10 Mobile Plate with 10 Unit Ø10 (3/8")
Hose Tail Shut-off Coupler (5 Circuit)(kg)

MM T090.10 Platte mit 10 Einheiten Ø 10 (3/8")
absperbare Kupplung mit Schlauchanschluß (5 Wege)

MM T090.10HG 12**MM T090.10HGB 12**

MM T090.10 Mobile Plate with 10 Unit Ø12 (1/2")
Hose Tail Shut-off Coupler (5 Circuit)

MM T090.10 Platte mit 10 Einheiten Ø 12 (1/2")
absperbare Kupplung mit Schlauchanschluß(5 Wege)

**MM T090.10HG 10F****MM T090.10HGB 10F**

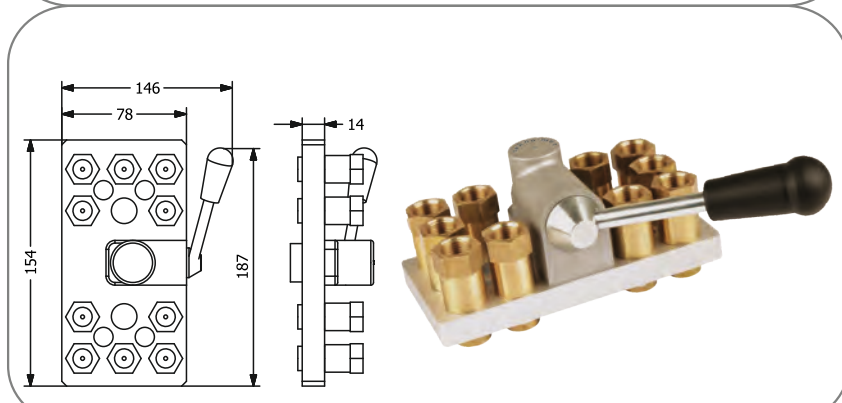
MM T090.10 Mobile Plate with 10 Unit Ø10 (3/8")
Hose Tail Shut-off Coupler (5 Circuit)

MM T090.10 Platte mit 10 Einheiten Ø 10 (3/8")
absperbare Kupplung mit Schlauchanschluß (5 Wege)

MM T090.10HG 12F**MM T090.10HGB 12F**

MM T090.10 Mobile Plate with 10 Unit Ø12 (1/2")
Hose Tail Shut-off Coupler (5 Circuit)

MM T090.10 Platte mit 10 Einheiten Ø 12 (1/2")
absperbare Kupplung mit Schlauchanschluß (5 Wege)

**MM T090.10DG 17****MM T090.10DGB 17**

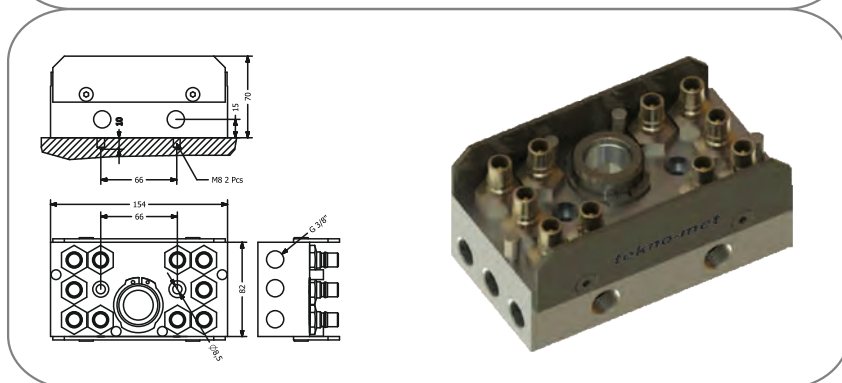
MM T090.10 Mobile Plate with 10 Unit BSP 3/8"
Female Threaded Shut-off Coupler (5 Circuit)

MM T090.10 Platte mit 10 Einheiten BSP 3/8"
absperbare Kupplung mit Schlauchanschluß (5 Wege)

MM T090.10NG 17**MM T1090.10NGB 17**

MM T090.10 Mobile Plate with 10 Unit NPT 3/8"
Female Threaded Shut-off Coupler (5 Circuit)

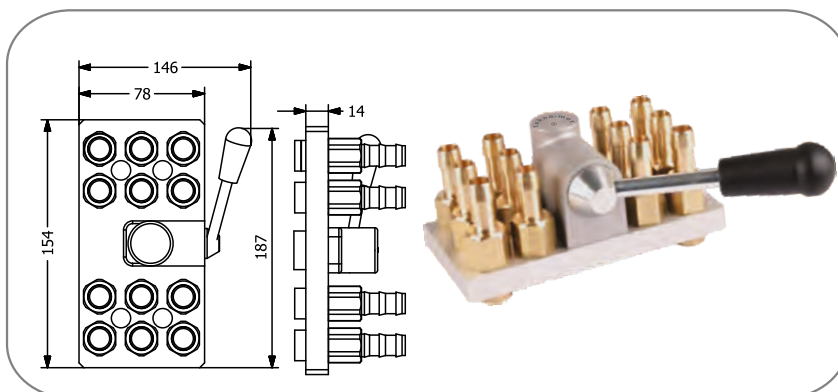
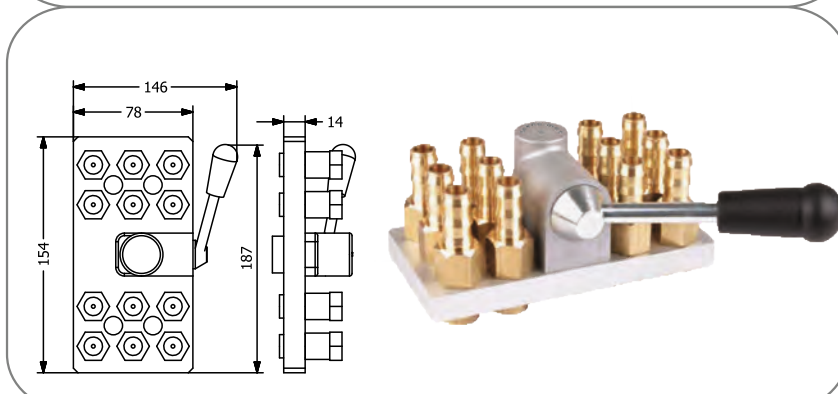
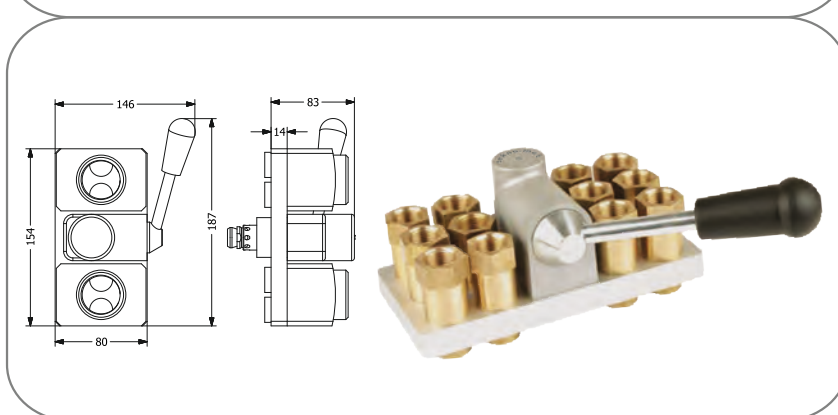
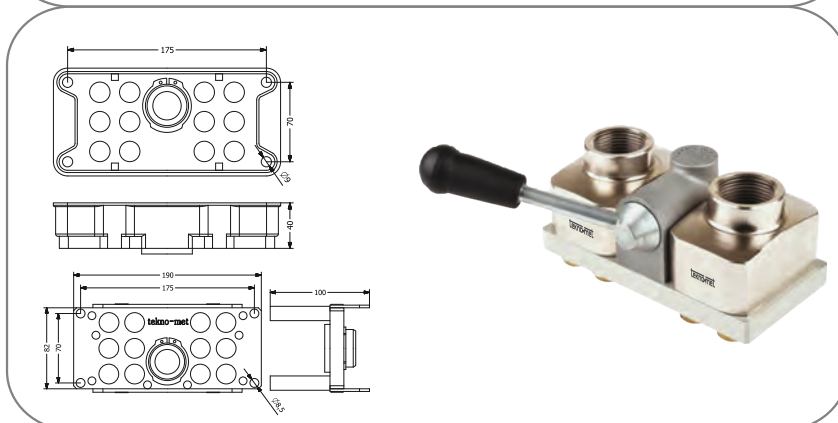
MM T090.10 Platte mit 10 Einheiten NPT 3/8"
absperbare Kupplung mit Schlauchanschluß (5 Wege)

**MK T090.10**

MK T090.10 Mould Plate
for 10 Unit Plugs (5 Circuit)

T090.10 MK Werkzeugseitige Platte
für 10 Einheiten Nippel (5 Wege)

6 ↔ 6

MULTI COUPLINGS SYSTEMS
MULTIKUPPLUNGSSYSTEME**MM T090.12HG 10****MM T090.12HGB 10**MM T090.12 Mobile Plate with 12 Unit Ø10 (3/8")
Hose Tail Shut-off Coupler (6 Circuit) (kış)MM T090.12 Platte mit 12 Einheiten Ø 10 (3/8")
absperbare Kupplung mit Schlauchanschluß (6 Wege)**MM T090.12HG 12****MM T090.12HGB 12**MM T090.12 Mobile Plate with 12 Unit Ø12 (1/2")
Hose Tail Shut-off Coupler (6 Circuit)MM T090.12 Platte mit 12 Einheiten Ø 12 (1/2")
absperbare Kupplung mit Schlauchanschluß (6 Wege)**MM T090.12HG 10F****MM T090.12HGB 10F**MM T090.12 Mobile Plate with 12 Unit Ø10 (3/8")
Hose Tail Shut-off Coupler (6 Circuit)MM T090.12 Platte mit 12 Einheiten Ø 10 (3/8")
absperbare Kupplung mit Schlauchanschluß (6 Wege)**MM T090.12HG 12F****MM T090.12HGB 12F**MM T090.12 Mobile Plate with 12 Unit Ø12 (1/2")
Hose Tail Shut-off Coupler (6 Circuit)MM T090.12 Platte mit 12 Einheiten Ø 12 (1/2")
absperbare Kupplung mit Schlauchanschluß (6 Wege)**MM T090.12DG 17****MM T090.12DGB 17**MM T090.12 Mobile Plate with 12 Unit BSP 3/8"
Female Threaded Shut-off Coupler (6 Circuit)MM T090.12 Platte mit 12 Einheiten BSP 3/8"
absperbare Kupplung mit Schlauchanschluß (6 Wege)**MM T090.12NG 17****MM T1090.12NGB 17**MM T090.12 Mobile Plate with 12 Unit NPT 3/8"
Female Threaded Shut-off Coupler (6 Circuit)MM T090.12 Platte mit 12 Einheiten NPT 3/8"
absperbare Kupplung mit Schlauchanschluß (6 Wege)**MK T090.12**MK T090.12 Mould Plate
for 12 Unit Plugs (6 Circuit)T090.12 MK Werkzeugseitige Platte
für 12 Einheiten Nippel (6 Wege)

MULTI COUPLINGS SYSTEMS MULTIKUPPLUNGSSYSTEME

8 ↔ 8

Multi Couplings Systems
for quick changing of injection moulding
and die cast equipments

Multikupplungssysteme
für schnelles Wechseln und Verbinden
der Kokillen und Spritzgußformen

MM T090.16HG 10



MM T090.16HGB 10



MM T090.16 Mobile Plate with 16 Unit Ø10 (3/8")
Hose Tail Shut-off Coupler (8 Circuit)

Ø10 (3/8") Kupplung mit Schlauchanschluß 16 Ventilen und
MM T090.16 fach Maschinenplatte (8 Eingänge- 8 Ausgänge)

MM T090.16HG 12



MM T090.16HGB 12



MM T090.16 Mobile Plate with 16 Unit Ø12 (1/2")
Hose Tail Shut-off Coupler (8 Circuit)

Ø12 (1/2") Kupplung mit Schlauchanschluß 16 Ventilen und
MM T090.16 fach Maschinenplatte (8 Eingänge- 8 Ausgänge)

MM T090.16HG 10F



MM T090.16HGB 10F



Ø10 (3/8") Hortum İçin 16 Adet Valfli Kaplin
ve MM T090.16 Makine Plakası (8 Giriş - 8 Çıkış)

MM T090.16 Mobile Plate with 16 Unit Ø10 (3/8")
Hose Tail Shut-off Coupler (8 Circuit)

MM T090.16HG 12F



MM T090.16HGB 12F



Ø12 (1/2") Hortum İçin 16 Adet Valfli Kaplin
ve MM T090.16 Makine Plakası (8 Giriş - 8 Çıkış)

MM T090.16 Mobile Plate with 16 Unit Ø12 (1/2")
Hose Tail Shut-off Coupler (8 Circuit)

MM T090.16DG 17



MM T090.16DGB 17



MM T090.16 Mobile Plate with 16 Unit BSP 3/8"
Female Threaded Shut-off Coupler (8 Circuit)

BSP 3/8" Kupplung mit Schlauchanschluß 16 Ventilen und
MM T090.16 fach Maschinenplatte (8 Eingänge- 8 Ausgänge)

MM T090.16NG 17



MM T090.16NGB 17



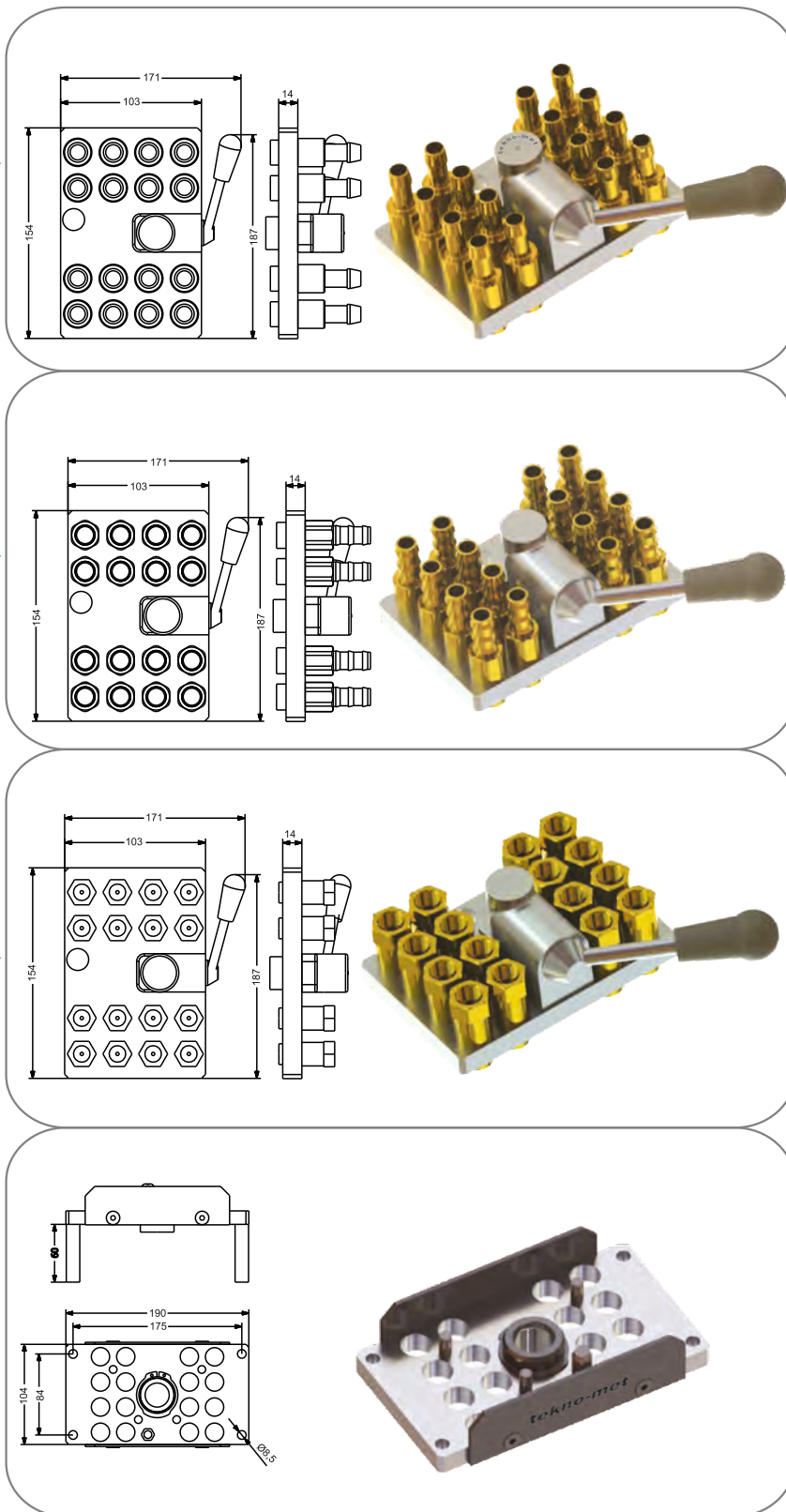
MM T090.16 Mobile Plate with 16 Unit NPT 3/8"
Female Threaded Shut-off Coupler (8 Circuit)

NPT 3/8" Kupplung mit Schlauchanschluß 16 Ventilen und
MM T090.16 fach Maschinenplatte (8 Eingänge- 8 Ausgänge)

MK T090.16

MK T090.16 Mould Plate
for 16 Unit Plugs (8 Circuit)

T090.16 MK Verteilerform
Platte (8 Eingänge - 8 Ausgänge)



Multi Couplings Systems for quick changing of injection moulding and die cast equipments

Multikupplungssysteme für schnelles Wechseln und Verbinden der Kokillen und Spritzgußformen

10 ↔ 10 MULTI COUPLINGS SYSTEMS MULTIKUPPLUNGSSYSTEME

MM T090.20HG 10



MM T090.20HGB 10



MM T090.20 Mobile Plate with 20 Unit Ø10 (3/8")
Hose Tail Shut-off Coupler (10 Circuit)

MM T090.20 Platte mit 20 Einheiten Ø 10 (3/8")
absperbare Kupplung mit Schlauchanschluß (10 Wege)

MM T090.20HG 12



MM T090.20HGB 12



MM T090.20 Mobile Plate with 20 Unit Ø12 (1/2")
Hose Tail Shut-off Coupler (10 Circuit)

MM T090.20 Platte mit 20 Einheiten Ø 12 (1/2")
absperbare Kupplung mit Schlauchanschluß (10 Wege)

MM T090.20HG 10F



MM T090.20HGB 10F



MM T090.20 Mobile Plate with 20 Unit Ø10 (3/8")
Hose Tail Shut-off Coupler (10 Circuit)

MM T090.20 Platte mit 20 Einheiten Ø 10 (3/8")
absperbare Kupplung mit Schlauchanschluß (10 Wege)

MM T090.20HG 12F



MM T090.20HGB 12F



MM T090.20 Mobile Plate with 20 Unit Ø12 (1/2")
Hose Tail Shut-off Coupler (10 Circuit)

MM T090.20 Platte mit 20 Einheiten Ø 12 (1/2")
absperbare Kupplung mit Schlauchanschluß (10 Wege)

MM T090.20DG 17



MM T090.20DGB 17



MM T090.20 Mobile Plate with 20 Unit BSP 3/8"
Female Threaded Shut-off Coupler (10 Circuit)

MM T090.20 Platte mit 20 Einheiten BSP 3/8"
absperbare Kupplung mit Schlauchanschluß (10 Wege)

MM T090.20NG 17



MM T1090.20NGB 17



MM T090.20 Mobile Plate with 20 Unit NPT 3/8"
Female Threaded Shut-off Coupler (10 Circuit)

MM T090.20 Platte mit 20 Einheiten NPT 3/8"
absperbare Kupplung mit Schlauchanschluß (10 Wege)

MM T090.20C (BSP 1")

MM T090.20CN (NPT 1")



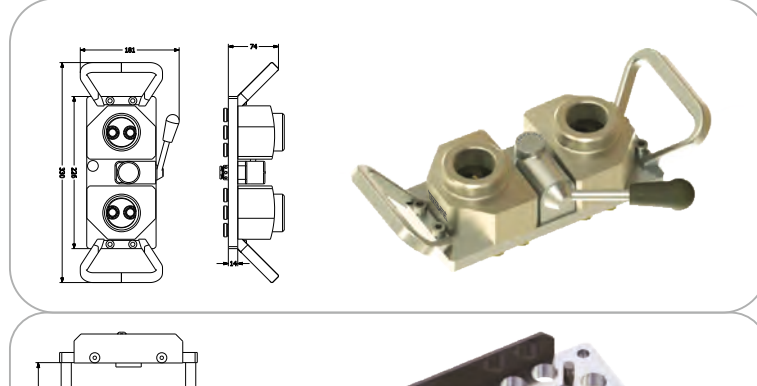
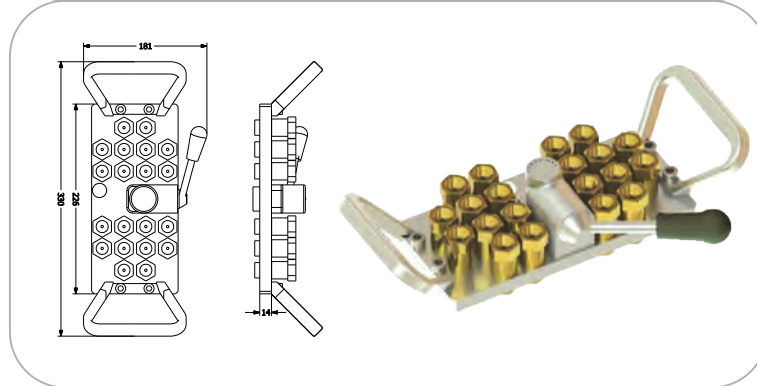
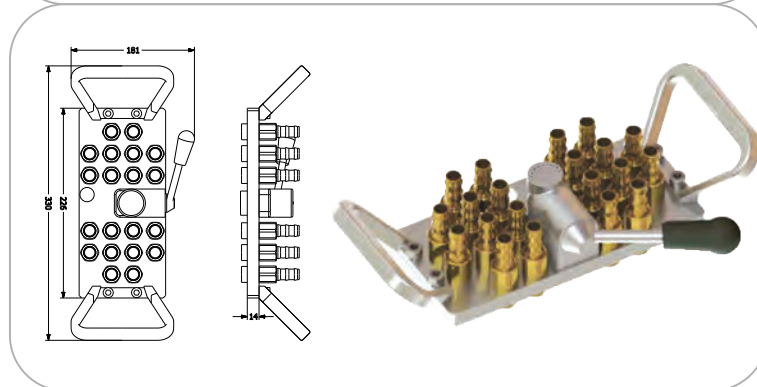
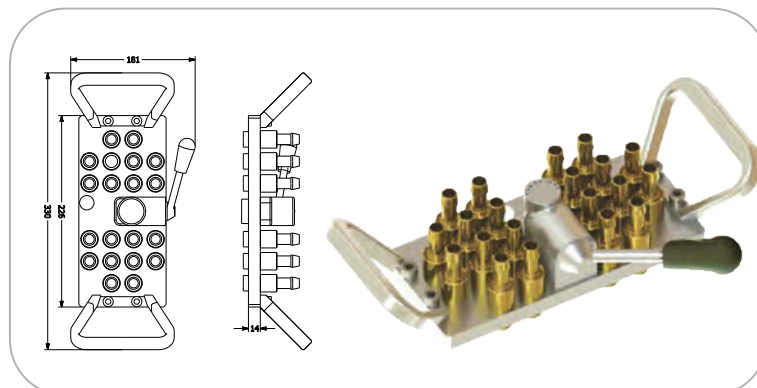
MM T090.20 Mobile plate with 1" Inlet
and Outlet Female Threaded Collector

MM T090.20 Platte mit 1" Einlass und
Auslaßsammeler mit Innengewinde

MK T090.20

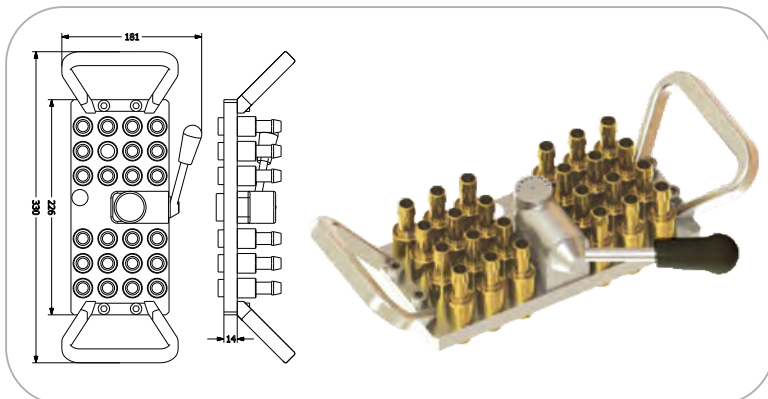
MK T090.20 Mould Plate
for 16 Unit Plugs (8 Circuit)

MK T090.20 Werkzeugseitige Platte
für 20 Einheiten Nippel (20 Wege)



MULTI COUPLINGS SYSTEMS 12 ↔ 12

MULTIKUPPLUNGSSYSTEME 12 ↔ 12

**MM T090.24HG 10****MM T090.24HGB 10**

MM T090.24 Mobile Plate with 24 Unit Ø10 (3/8")
Hose Tail Shut-off Coupler (12 Circuit) (1ks)

MM T090.24 Platte mit 24 Einheiten Ø 10 (3/8")
absperbare Kupplung mit Schlauchanschluß (12 Wege)

MM T090.24HG 12**MM T090.24HGB 12**

MM T090.24 Mobile Plate with 24 Unit Ø12 (1/2")
Hose Tail Shut-off Coupler (12 Circuit)

MM T090.24 Platte mit 24 Einheiten Ø 12 (1/2")
absperbare Kupplung mit Schlauchanschluß (12 Wege)

MM T090.24HG 10F**MM T090.24HGB 10F**

MM T090.24 Mobile Plate with 24 Unit Ø10 (3/8")
Hose Tail Shut-off Coupler (12 Circuit)

MM T090.24 Platte mit 24 Einheiten Ø 10 (3/8")
absperbare Kupplung mit Schlauchanschluß (12 Wege)

MM T090.24HG 12F**MM T090.24HGB 12F**

MM T090.24 Mobile Plate with 24 Unit Ø12 (1/2")
Hose Tail Shut-off Coupler (12 Circuit)

MM T090.24 Platte mit 24 Einheiten Ø 12 (1/2")
absperbare Kupplung mit Schlauchanschluß (12 Wege)

MM T090.24DG 17**MM T090.24DGB 17**

MM T090.24 Mobile Plate with 24 Unit BSP 3/8"
Female Threaded Shut-off Coupler (12 Circuit)

MM T090.24 Platte mit 24 Einheiten BSP 3/8"
absperbare Kupplung mit Schlauchanschluß (12 Wege)

MM T090.20NG 17**MM T1090.20NGB 17**

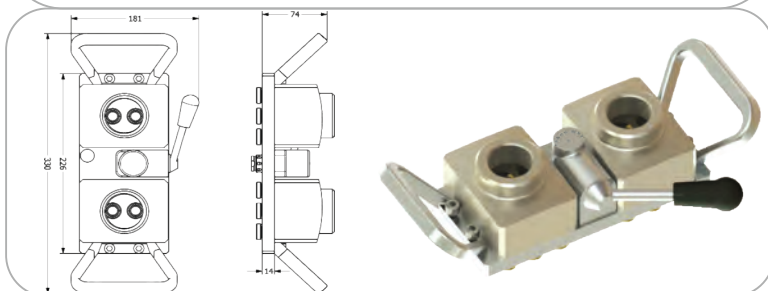
MM T090.24 Mobile Plate with 24 Unit NPT 3/8"
Female Threaded Shut-off Coupler (12 Circuit)

MM T090.24 Platte mit 24 Einheiten NPT 3/8"
absperbare Kupplung mit Schlauchanschluß (12 Wege)

MM T090.24C (BSP 1.1/4")**MM T090.24CN (BSP 1.1/4")**

MM 090.24 Mobile plate with 1" Inlet
and Outlet Female Threaded Collector

MM T090.24 Platte mit 1" Einlass und
Auslaßsammler mit Innengewinde

**MK T090.24**

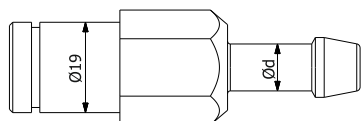
MK T090.24 Mould Plate
for 24 Unit Plugs (12 Circuit)

MK T090.24 Werkzeugseitige Platte
für 24 Einheiten Nippel (12 Wege)

Multi Couplings Systems for quick changing
of injection moulding and die cast equipments

Multikupplungssysteme für schnelles Wechseln
und Verbinden der Kokillen und Spritzgußformen

MULTI COUPLINGS SYSTEMS MULTIKUPPLUNGSSYSTEME

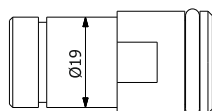


MM T090 HGB 10

Ø10 (3/8") Hose Tail Shut-off Coupler for MM T090 Manifold
Ø10 (3/8") absperbare Kupplung mit Schlauchanschluß für MM T090 Multiupplung

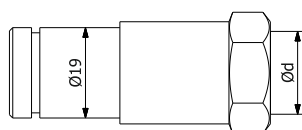
MM T090 HGB 12

Ø12 Hose Tail Shut-off Coupler for MM T090 Manifold
Ø12 absperbare Kupplung mit Schlauchanschluß für MM T090 Multiupplung



MM T090 EGB 00

MM T090 Shut-off Coupler For Collector
MM T090 absperbare Kupplung für Kollektor

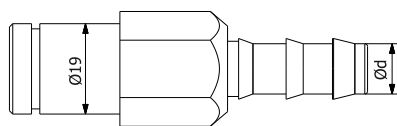


MM T090 DGB 17

BSP 3/8" Female Threaded MM T090 Shut-off Coupler
BSP 3/8" absperbare Kupplung mit Innengewinde für MM T090 Multikupplung

MM T090 NGB 17

NPT 3/8" Female Threaded MM T090 Shut-off Coupler
NPT 3/8" absperbare Kupplung mit Innengewinde für MM T090 Multikupplung

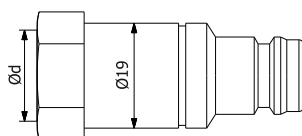


MM T090 FGB 13

Ø13 Push-lock Hose Tail MM T090 Shut-off Coupler
Ø13 absperbare Kupplung mit automatisch verschließbarer
Schlauchtülle für MM T090 Multikupplung

MM T090 FGB 10

Ø10 (3/8") Push-lock Hose Tail Shut-off Coupler for MM T090 Manifold
Ø10 (3/8") absperbare Kupplung mit automatisch verschließbarer
Schlauchtülle für MM T090 Multikupplung

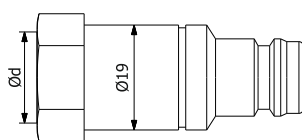


MK T090 DU 17

BSP 3/8" Female Threaded Unvalved Plug for MK T090 Manifold
BSP 3/8" Anschlußnippel mit Innengewinde für MK T090 Multikupplung

MK T090 NU 17

NPT 3/8" Female Threaded Unvalved Plug for MK T090 Manifold
NPT 3/8" Anschlußnippel mit Innengewinde für MK T090 Multikupplung

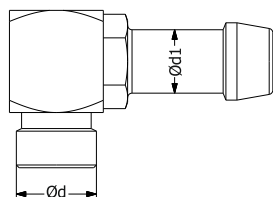


MK T090 DUB 17

BSP 3/8" Female Threaded Shut-off Plug for MK T090 Manifold
BSP 3/8" absperbare Nippel mit innengewinde für MK T090 Manifold

MK T090 NUB 17

NPT 3/8" Female Threaded Shut-off Plug for MK T090 Manifold
NPT 3/8" absperbare Nippel mit innengewinde für MK T090 Manifold

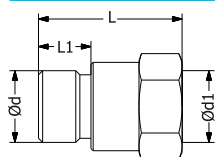


T090 EB 17.10

Elbow Ø10 (3/8") Hose Tail
Winkel Ø10 (3/8") Schlauchanschluß

T090 EB 17.12

Elbow Ø12 Hose Tail
Winkel Ø12 Schlauchanschluß

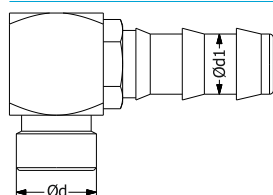


T090 NN 17

NPT 3/8" Female - BSP 3/8" Male Extantion
NPT 3/8" Innengewinde - BSP 3/8" Außengewinde Verlängerung

T090 EN 17

BSP 3/8" Female - BSP 3/8" Male Extantion
BSP 3/8" Innengewinde -BSP 3/8" Außengewinde Verlängerung



T090 EF 17.13

Elbow Ø12 Push-lock Hose Tail
Winkel Ø12 Schlauchanschluß ohne Klemmen

T090 EF 17.10

Elbow Ø10 (3/8") Push-lock Hose Tail
Winkel Ø10 Schlauchanschluß ohne Klemmen

Multi Couplings Systems for quick changing
of injection moulding and die cast equipments

Multikupplungssysteme für schnelles Wechseln
und Verbinden der Kokillen und Spritzgußformen

M T09

MULTI COUPLINGS SYSTEMS MULTIKUPPLUNGSSYSTEME



Multi Couplings Systems for quick changing of injection moulding and die cast equipments

Multikupplungssysteme für schnelles Wechseln und Verbinden der Kokillen und Spritzgußformen

3 ↔ 3 MULTI COUPLINGS SYSTEMS MULTIKUPPLUNGSSYSTEME

MM T09.06HG 10



MM T09.06HGB 10



MM T09.06 Mobile Plate with 6 Unit Ø10 (3/8")
Hose Tail Shut-off Coupler (3 Circuit) (kıs)

MM T09.06 Platte mit 6 Einheiten Ø 10 (3/8")
absperrbare Kupplung mit Schlauchanschluß (3 Wege)

MM T09.06HG 12



MM T09.06HGB 12



MM T09.06 Mobile Plate with 6 Unit Ø12 (1/2")
Hose Tail Shut-off Coupler (3 Circuit)

MM T09.06 Platte mit 6 Einheiten Ø 12 (1/2")
absperrbare Kupplung mit Schlauchanschluß (3 Wege)

MM T09.06HG 10F



MM T09.06HGB 10F



MM T09.06 Mobile Plate with 6 Unit Ø10 (3/8")
Hose Tail Shut-off Coupler (3 Circuit)

MM T09.06 Platte mit 6 Einheiten Ø 10 (3/8")
absperrbare Kupplung mit Schlauchanschluß (3 Wege)

MM T09.06HG 12F



MM T09.06HGB 12F



MM T09.06 Mobile Plate with 6 Unit Ø12 (1/2")
Hose Tail Shut-off Coupler (3 Circuit)

MM T09.06 Platte mit 6 Einheiten Ø 12 (1/2")
absperrbare Kupplung mit Schlauchanschluß (3 Wege)

MM T09.06DG 17



MM T09.06DGB 17



MM T09.06 Mobile Plate with 6 Unit BSP 3/8"
Female Threaded Shut-off Coupler (3 Circuit)

MM T09.06 Platte mit 6 Einheiten BSP 3/8"
absperrbare Kupplung mit Schlauchanschluß (3 Wege)

MM T09.06NG 17



MM T09.06NGB 17



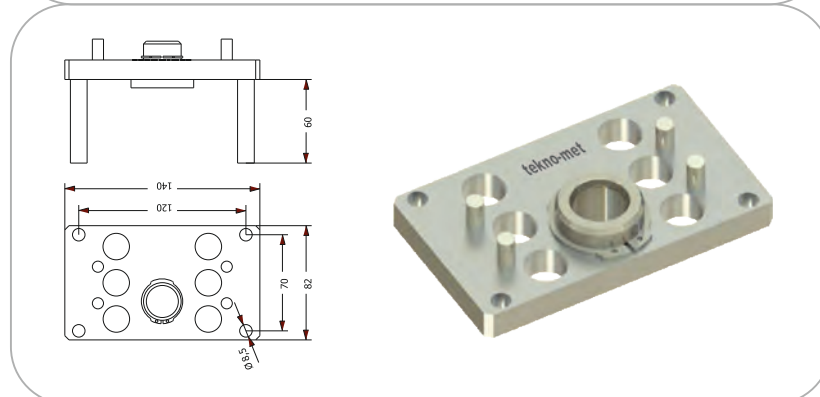
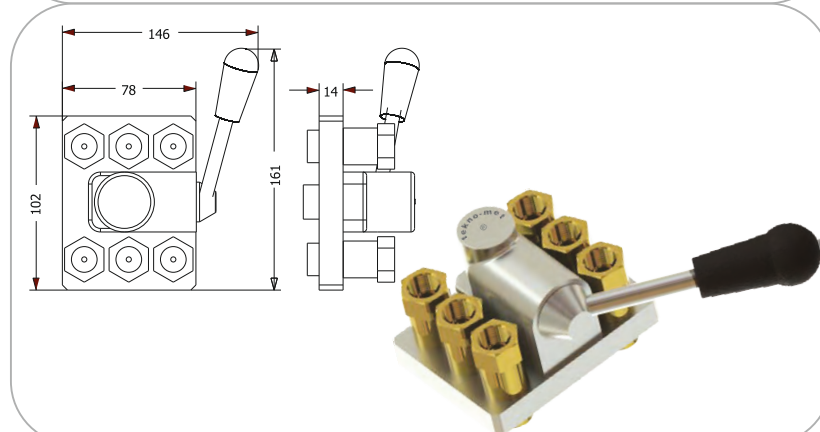
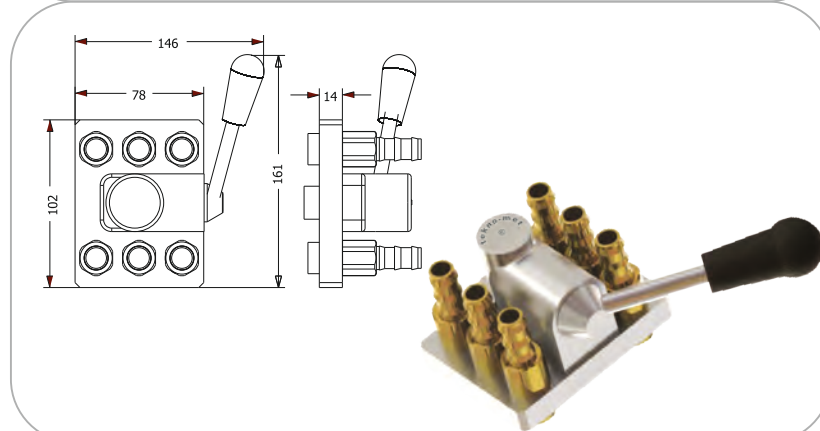
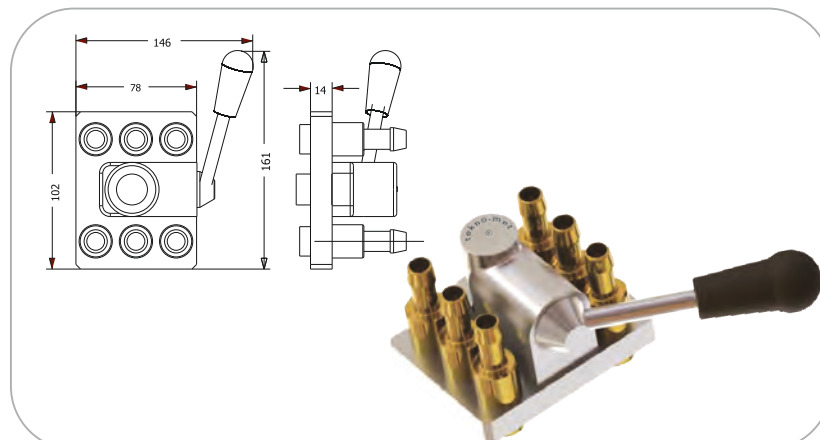
MM T09.06 Mobile Plate with 6 Unit NPT 3/8"
Female Threaded Shut-off Coupler (3 Circuit)

MM T09.06 Platte mit 6 Einheiten NPT 3/8"
absperrbare Kupplung mit Schlauchanschluß (3 Wege)

MK T09.06

MK T09.06 Mould Plate
for 6 Unit Plugs (3 Circuit)

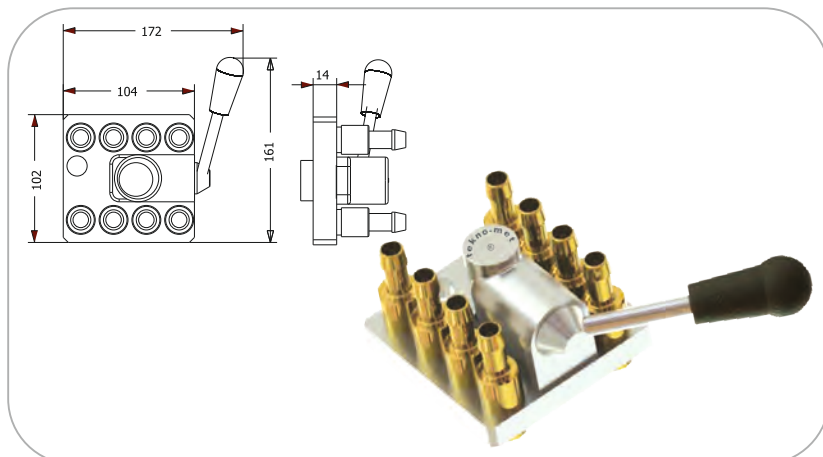
MK T09.06 MK Werkzeugseitige Platte
für 6 Einheiten Nippel (3 Wege)



MULTI COUPLINGS SYSTEMS MULTIKUPPLUNGSSYSTEME 4 ↔ 4

Multi Couplings Systems for quick changing
of injection moulding and die cast equipments

Multikupplungssysteme für schnelles Wechseln
und Verbinden der Kokillen und Spritzgußformen



MM T09.08HG 10



MM T09.08HGB 10



MM T09.08 Mobile Plate with 8 Unit Ø10 (3/8")
Hose Tail Shut-off Coupler (4 Circuit) (1ks)

MM T09.08 Platte mit 8 Einheiten Ø 10 (3/8")
absperbare Kupplung mit Schlauchanschluß (4 Wege)

MM T09.08HG 12

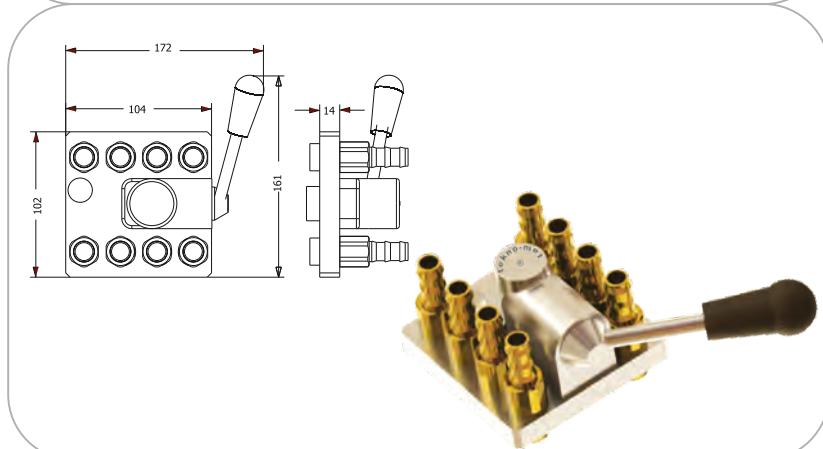


MM T09.08HGB 12



MM T09.08 Mobile Plate with 8 Unit Ø12 (1/2")
Hose Tail Shut-off Coupler (4 Circuit)

MM T09.08 Platte mit 8 Einheiten Ø 12 (1/2")
absperbare Kupplung mit Schlauchanschluß (4 Wege)



MM T09.08HG 10F



MM T09.08HGB 10F



MM T09.08 Mobile Plate with 8 Unit Ø10 (3/8")
Hose Tail Shut-off Coupler (4 Circuit)

MM T09.08 Platte mit 8 Einheiten Ø 10 (3/8")
absperbare Kupplung mit Schlauchanschluß (4 Wege)

MM T09.08HG 12F

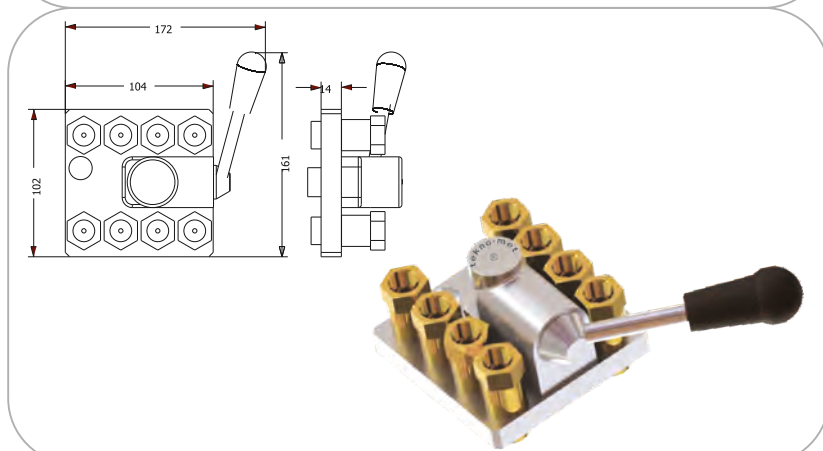


MM T09.08HGB 12F



MM T09.08 Mobile Plate with 8 Unit Ø12 (1/2")
Hose Tail Shut-off Coupler (4 Circuit)

MM T09.08 Platte mit 8 Einheiten Ø 12 (1/2")
absperbare Kupplung mit Schlauchanschluß (4 Wege)



MM T09.08DG 17



MM T09.08DGB 17



MM T09.08 Mobile Plate with 8 Unit BSP 3/8"
Female Threaded Shut-off Coupler (4 Circuit)

MM T09.08 Platte mit 8 Einheiten BSP 3/8"
absperbare Kupplung mit Schlauchanschluß (4 Wege)

MM T09.08NG 17

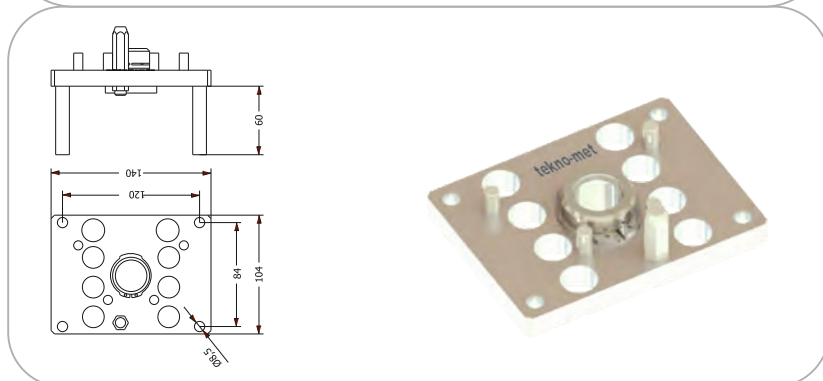


MM T09.08NGB 17



MM T09.08 Mobile Plate with 8 Unit NPT 3/8"
Female Threaded Shut-off Coupler (4 Circuit)

MM T09.08 Platte mit 8 Einheiten NPT 3/8"
absperbare Kupplung mit Schlauchanschluß (4 Wege)



MK T09.08

MK T09.08 Mould Plate
for 8 Unit Plugs (4 Circuit)

MK T09.08 Werkzeugseitige Platte
für 8 Einheiten Nippel (4 Wege)

Multi Couplings Systems for quick changing of injection moulding and die cast equipments

Multikupplungssysteme für schnelles Wechseln und Verbinden der Kokillen und Spritzgußformen

5 ↔ 5 MULTI COUPLINGS SYSTEMS MULTIKUPPLUNGSSYSTEME

MM T09.10HG 10



MM T09.10HGB 10



MM T09.10 Mobile Plate with 10 Unit Ø10 (3/8")
Hose Tail Shut-off Coupler (5 Circuit) (5 Wege)

MM T09.10 Platte mit 10 Einheiten Ø 10 (3/8")
absperrbare Kupplung mit Schlauchanschluß (5 Wege)

MM T09.10HG 12



MM T09.10HGB 12



MM T09.10 Mobile Plate with 10 Unit Ø12 (1/2")
Hose Tail Shut-off Coupler (5 Circuit)

MM T09.10 Platte mit 10 Einheiten Ø 12 (1/2")
absperrbare Kupplung mit Schlauchanschluß (5 Wege)

MM T09.10HG 10F



MM T09.10HGB 10F



MM T09.10 Mobile Plate with 10 Unit Ø10 (3/8")
Hose Tail Shut-off Coupler (5 Circuit)

MM T09.10 Platte mit 10 Einheiten Ø 10 (3/8")
absperrbare Kupplung mit Schlauchanschluß (5 Wege)

MM T09.10HG 12F



MM T09.10HGB 12F



MM T09.10 Mobile Plate with 10 Unit Ø12 (1/2")
Hose Tail Shut-off Coupler (5 Circuit)

MM T09.10 Platte mit 10 Einheiten Ø 12 (1/2")
absperrbare Kupplung mit Schlauchanschluß (5 Wege)

MM T09.10DG 17



MM T09.10DGB 17



MM T09.10 Mobile Plate with 10 Unit BSP 3/8"
Female Threaded Shut-off Coupler (5 Circuit)

MM T09.10 Platte mit 10 Einheiten BSP 3/8"
absperrbare Kupplung mit Schlauchanschluß (5 Wege)

MM T09.10NG 17



MM T09.10NGB 17



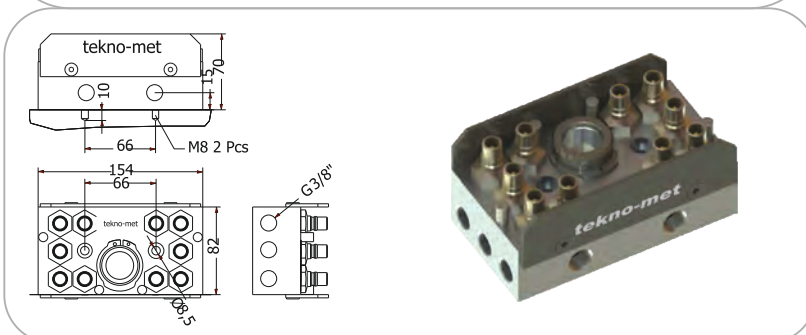
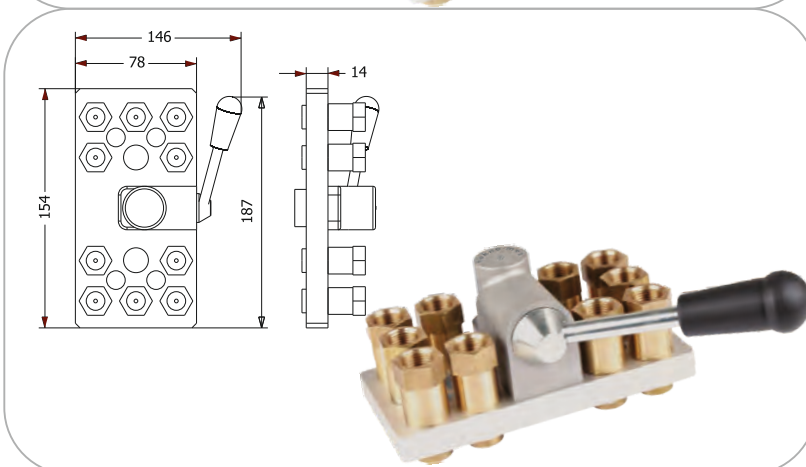
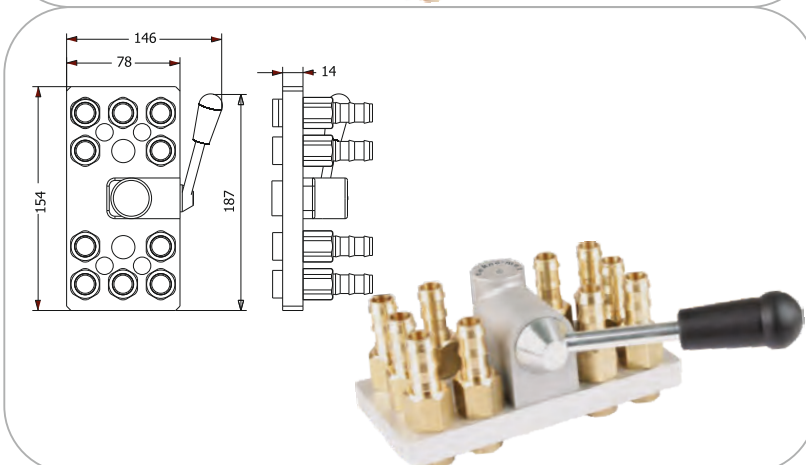
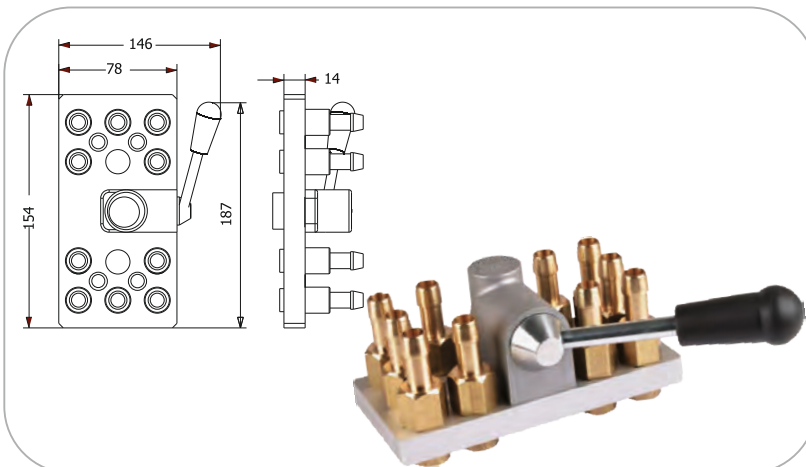
MM T09.10 Mobile Plate with 10 Unit NPT 3/8"
Female Threaded Shut-off Coupler (5 Circuit)

MM T09.10 Platte mit 10 Einheiten NPT 3/8"
absperrbare Kupplung mit Schlauchanschluß (5 Wege)

MK T09.10

MK T09.10 Mould Plate
for 10 Unit Plugs (5 Circuit)

MK T09.10 Werkzeugseitige Platte
für 10 Einheiten Nippel (5 Wege)

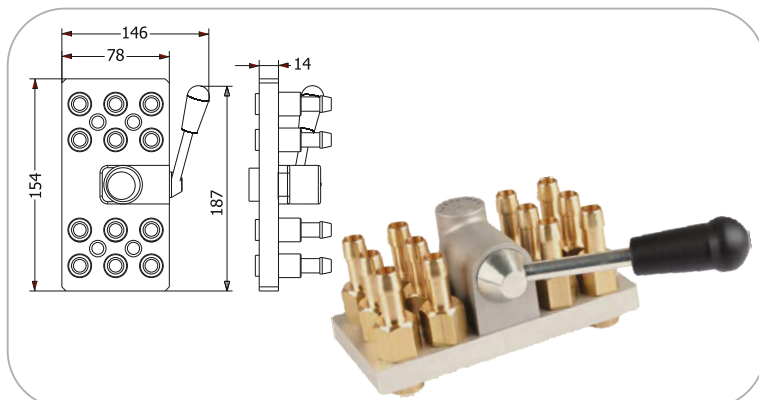


MULTI COUPLINGS SYSTEMS MULTIKUPPLUNGSSYSTEME

6 ↔ 6

Multi Couplings Systems for quick changing of injection moulding and die cast equipments

Multikupplungssysteme für schnelles Wechseln und Verbinden der Kokillen und Spritzgußformen



MM T09.12HG 10



MM T09.12HGB 10



MM T09.12 Mobile Plate with 12 Unit Ø10 (3/8")
Hose Tail Shut-off Coupler (6 Circuit) (6 Wege)

MM T09.12 Platte mit 12 Einheiten Ø 10 (3/8")
absperrbare Kupplung mit Schlauchtülle (6 Wege)

MM T09.12HG 12

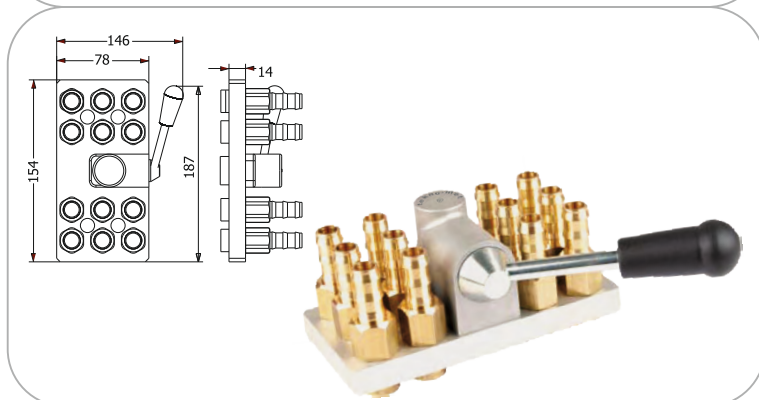


MM T09.12HGB 12



MM T09.12 Mobile Plate with 12 Unit Ø12 (1/2")
Hose Tail Shut-off Coupler (6 Circuit)

MM T09.12 Platte mit 12 Einheiten Ø 12 (1/2")
absperrbare Kupplung mit Schlauchtülle (6 Wege)



MM T09.12HG 10F



MM T09.12HGB 10F



MM T09.12 Mobile Plate with 12 Unit Ø10 (3/8")
Hose Tail Shut-off Coupler (6 Circuit)

MM T09.12 Platte mit 12 Einheiten Ø 10 (3/8")
absperrbare Kupplung mit Schlauchtülle (6 Wege)

MM T09.12HG 12F

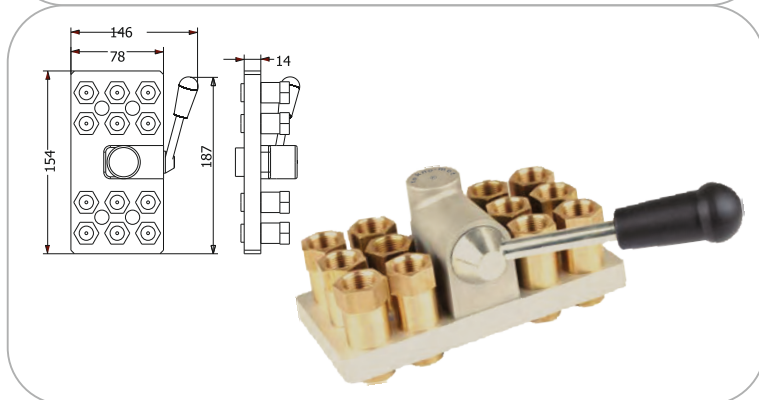


MM T09.12HGB 12F



MM T09.12 Mobile Plate with 12 Unit Ø12 (1/2")
Hose Tail Shut-off Coupler (6 Circuit)

MM T09.12 Platte mit 12 Einheiten Ø 12 (1/2")
absperrbare Kupplung mit Schlauchtülle (6 Wege)



MM T09.12DG 17



MM T09.12DGB 17



MM T09.12 Mobile Plate with 12 Unit BSP 3/8"
Female Threaded Shut-off Coupler (6 Circuit)

MM T09.12 Platte mit 12 Einheiten BSP 3/8"
absperrbare Kupplung mit Schlauchtülle (6 Wege)

MM T09.12NG 17

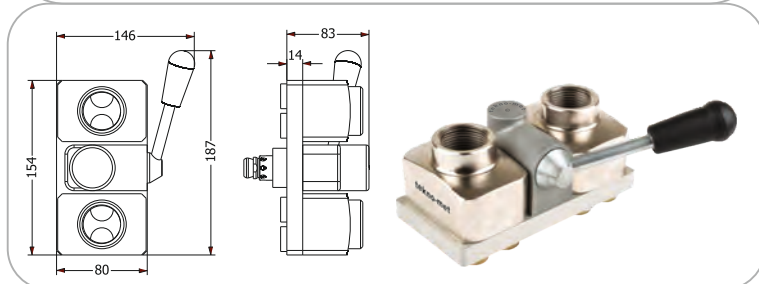


MM T09.12NGB 17



MM T09.12 Mobile Plate with 12 Unit NPT 3/8"
Female Threaded Shut-off Coupler (6 Circuit)

MM T09.12 Platte mit 12 Einheiten NPT 3/8"
absperrbare Kupplung mit Schlauchtülle (6 Wege)



MM T09.12C (BSP 1")

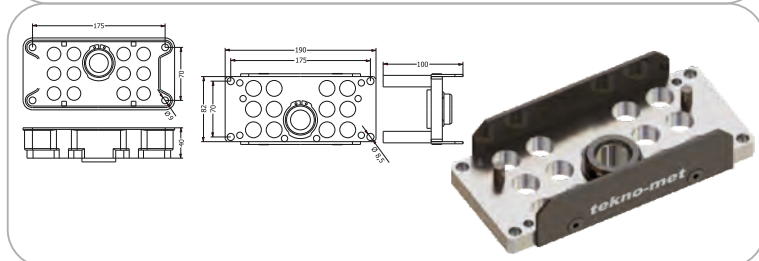


MM T09.12CN (NPT 1")



MM 09.12 Mobile plate with 1" Inlet
and Outlet Female Threaded Collector

MM T09.12 Platte mit 1" Einlass und
Auslaßsammler mit Innengewinde



MK T09.12

MK T09.12 Mould Plate
for 12 Unit Plugs (6 Circuit)

MK T09.12 Werkzeugseitige Platte
für 12 Einheiten Nippel (6 Wege)

Multi Couplings Systems for quick changing
of injection moulding and die cast equipments

Multikupplungssysteme für schnelles Wechseln
und Verbinden der Kokillen und Spritzgußformen

8 ↔ 8 MULTI COUPLINGS SYSTEMS MULTIKUPPLUNGSSYSTEME

MM T09.16HG 10



MM T09.16HGB 10



MM T09.16 Mobile Plate with 16 Unit Ø10 (3/8")
Hose Tail Shut-off Coupler (8 Circuit)iks)

MM T09.16 Platte mit 16 Einheiten Ø 10 (3/8")
absperrbare Kupplung mit Schlauchanschluß (8 Wege)

MM T09.16HG 12



MM T09.16HGB 12



MM T09.16 Mobile Plate with 16 Unit Ø12 (1/2")
Hose Tail Shut-off Coupler (8 Circuit)

MM T09.16 Platte mit 16 Einheiten Ø 12 (1/2")
absperrbare Kupplung mit Schlauchanschluß (8 Wege)

MM T09.16HG 10F



MM T09.16HGB 10F



MM T09.16 Mobile Plate with 16 Unit Ø10 (3/8")
Hose Tail Shut-off Coupler (8 Circuit)

MM T09.16 Platte mit 16 Einheiten Ø 10 (3/8")
absperrbare Kupplung mit Schlauchanschluß (8 Wege)

MM T09.16HG 12F



MM T09.16HGB 12F



MM T09.16 Mobile Plate with 16 Unit Ø12 (1/2")
Hose Tail Shut-off Coupler (8 Circuit)

MM T09.16 Platte mit 16 Einheiten Ø 12 (1/2")
absperrbare Kupplung mit Schlauchanschluß (8 Wege)

MM T09.16DG 17



MM T09.16DGB 17



MM T09.16 Mobile Plate with 16 Unit BSP 3/8"
Female Threaded Shut-off Coupler (8 Circuit)

MM T09.16 Platte mit 16 Einheiten BSP 3/8"
absperrbare Kupplung mit Schlauchanschluß (8 Wege)

MM T09.16NG 17



MM T09.16NGB 17



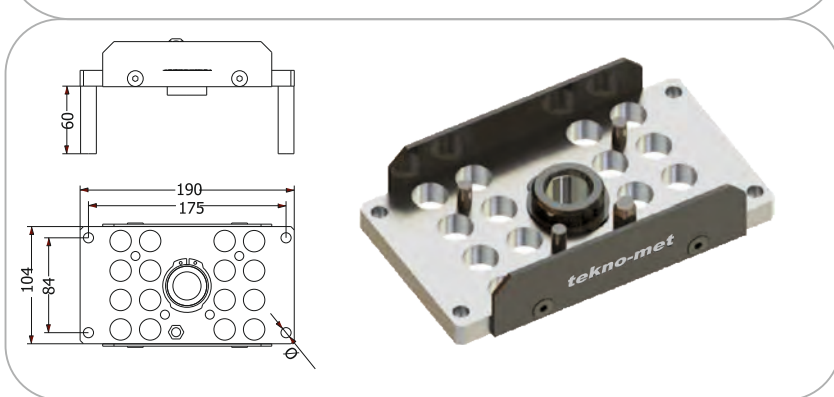
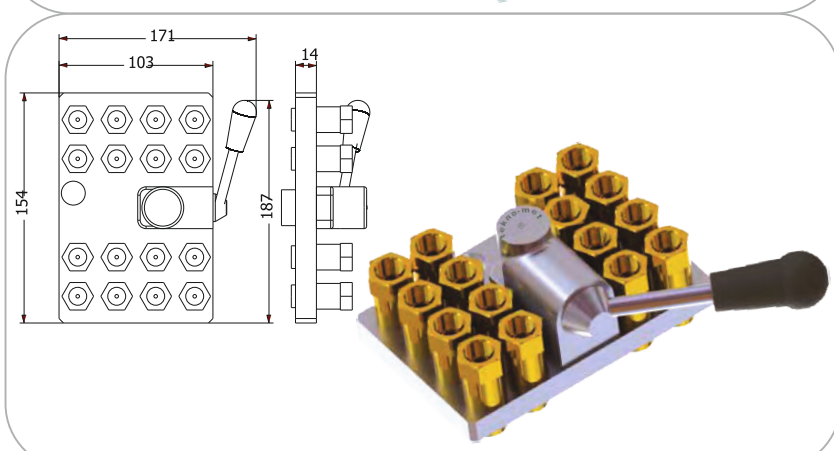
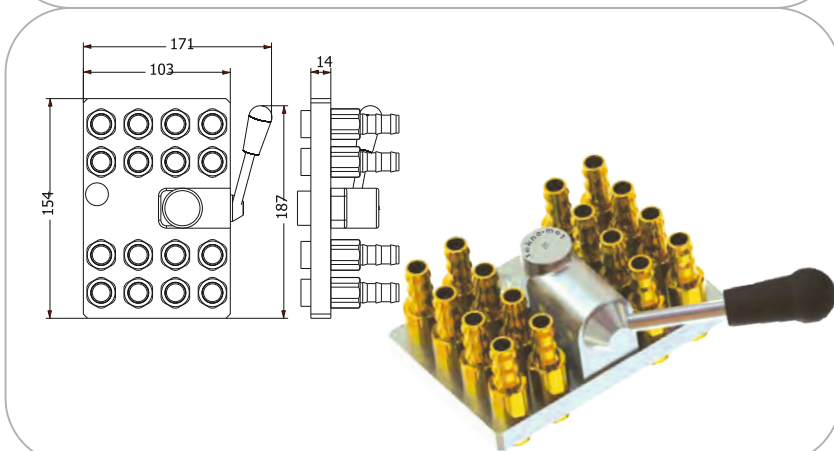
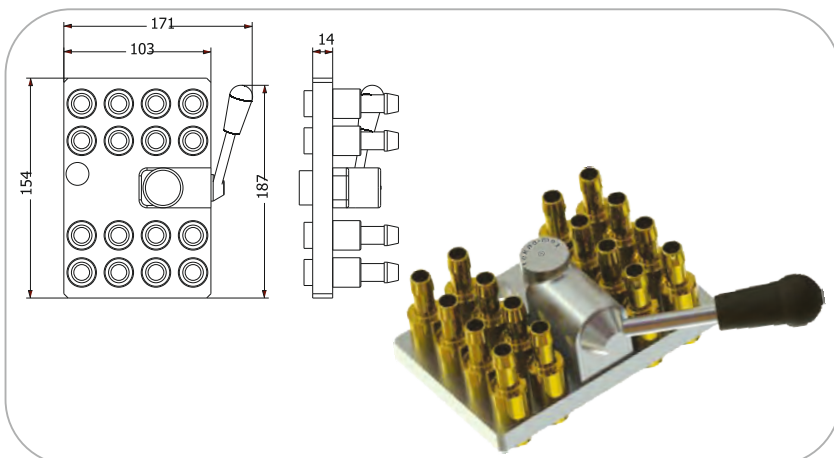
MM T09.16 Mobile Plate with 16 Unit NPT 3/8"
Female Threaded Shut-off Coupler (8 Circuit)

MM T09.16 Platte mit 16 Einheiten NPT 3/8"
absperrbare Kupplung mit Schlauchanschluß (8 Wege)

MK T09.16

MK T09.16 Mould Plate
for 16 Unit Plugs (8 Circuit)

MK T09.16 Werkzeugseitige Platte
für 16 Einheiten Nippel (8Wege)

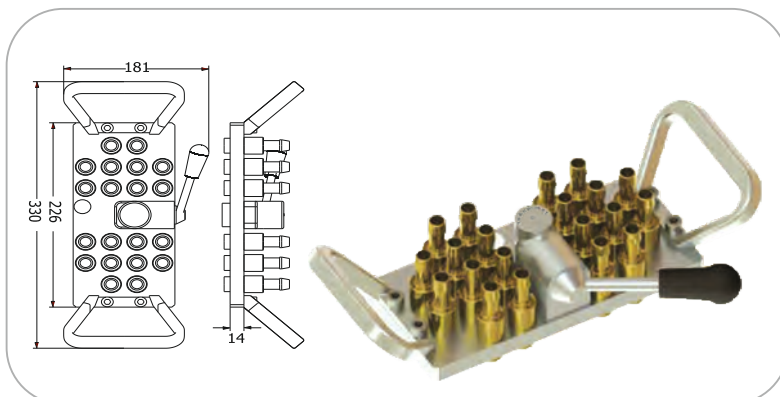


MULTI COUPLINGS SYSTEMS MULTIKUPPLUNGSSYSTEME

10 ⇌ 10

Multi Couplings Systems for quick changing of injection moulding and die cast equipments

Multikupplungssysteme für schnelles Wechseln und Verbinden der Kokillen und Spritzgußformen



MM T09.20HG 10



MM T09.20HGB 10

MM T09.20 Mobile Plate with 20 Unit Ø10 (3/8")
Hose Tail Shut-off Coupler (10 Circuit) (10x5)



MM T09.20 Platte mit 20 Einheiten Ø 10 (3/8")
absperbare Kupplung mit Schlauchanschluß (10 Wege)

MM T09.20HG 12



MM T09.20HGB 12

MM T09.20 Mobile Plate with 20 Unit Ø12 (1/2")
Hose Tail Shut-off Coupler (10 Circuit)



MM T09.20 Platte mit 20 Einheiten Ø 12 (1/2")
absperbare Kupplung mit Schlauchanschluß (10 Wege)

MM T09.20HG 10F



MM T09.20HGB 10F

MM T09.20 Mobile Plate with 20 Unit Ø10 (3/8")
Hose Tail Shut-off Coupler (10 Circuit)



MM T09.20 Platte mit 20 Einheiten Ø 10 (3/8")
absperbare Kupplung mit Schlauchanschluß (10 Wege)

MM T09.16HG 12F



MM T09.16HGB 12F

MM T09.20 Mobile Plate with 20 Unit Ø12 (1/2")
Hose Tail Shut-off Coupler (10 Circuit)



MM T09.20 Platte mit 20 Einheiten Ø 12 (1/2")
absperbare Kupplung mit Schlauchanschluß (10 Wege)

MM T09.20DG 17



MM T09.20DGB 17

MM T09.20 Mobile Plate with 20 Unit BSP 3/8"
Female Threaded Shut-off Coupler (10 Circuit)



MM T09.20 Platte mit 20 Einheiten BSP 3/8"
absperbare Kupplung mit Schlauchanschluß (10 Wege)

MM T09.20NG 17



MM T09.206NGB 17

MM T09.20 Mobile Plate with 20 Unit NPT 3/8"
Female Threaded Shut-off Coupler (10 Circuit)



MM T09.20 Platte mit 20 Einheiten NPT 3/8"
absperbare Kupplung mit Schlauchanschluß (10 Wege)

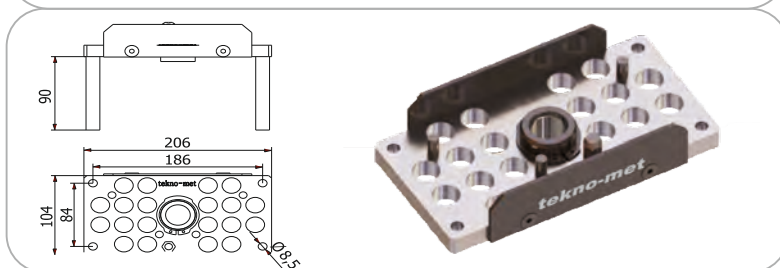
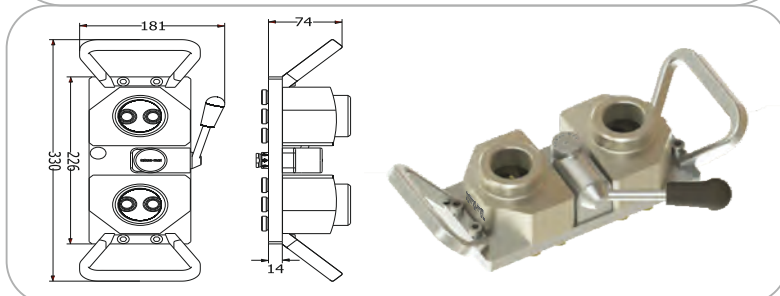
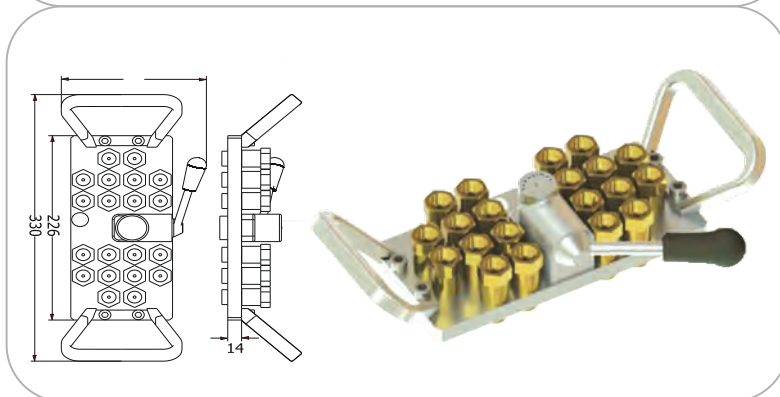
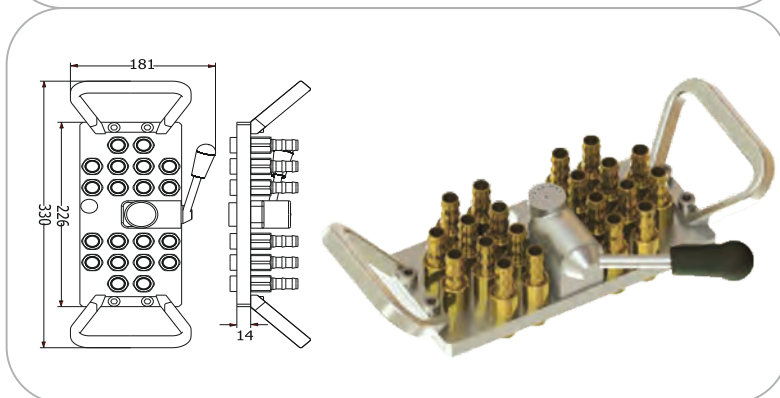
MM T09.20C (BSP 1")

MM T09.20CN (NPT 1")

MM 09.20 Mobile plate with 1" Inlet
and Outlet Female Threaded Collector



MM T09.20 Platte mit 1" Einlass und
Auslaßsammel mit Innengewinde



MK T09.20

MK T09.20 Mould Plate
for 20 Unit Plugs (10 Circuit)

MK T09.20 Werkzeugseitige Platte
für 20 Einheiten Nippel (10 Wege)

MULTI COUPLINGS SYSTEMS MULTIKUPPLUNGSSYSTEME

12 ↔ 12

MM T09.24HG 10



MM T09.24HGB 10



MM T09.24 Mobile Plate with 24 Unit Ø120 (3/8")
Hose Tail Shut-off Coupler (12 Circuit) (kış)

MM T09.24 Platte mit 24 Einheiten Ø 10 (3/8")
absperrbare Kupplung mit Schlauchanschluß (12 Wege)

MM T09.24HG 12



MM T09.24HGB 12



MM T09.24 Mobile Plate with 24 Unit Ø12 (1/2")
Hose Tail Shut-off Coupler (12 Circuit)

MM T09.24 Platte mit 24 Einheiten Ø 12 (1/2")
absperrbare Kupplung mit Schlauchanschluß (12 Wege)

MM T09.24HG 10F



MM T09.24HGB 10F



MM T09.24 Mobile Plate with 24 Unit Ø10 (3/8")
Hose Tail Shut-off Coupler (12 Circuit)

MM T09.24 Platte mit 24 Einheiten Ø 10 (3/8")
absperrbare Kupplung mit Schlauchanschluß (12 Wege)

MM T09.24HG 12F



MM T09.24HGB 12F



MM T09.24 Mobile Plate with 24 Unit Ø12 (1/2")
Hose Tail Shut-off Coupler (12 Circuit)

MM T09.24 Platte mit 24 Einheiten Ø 12 (1/2")
absperrbare Kupplung mit Schlauchanschluß (12 Wege)

MM T09.24DG 17



MM T09.24DGB 17



MM T09.24 Mobile Plate with 24 Unit BSP 3/8"
Female Threaded Shut-off Coupler (12 Circuit)

MM T09.24 Platte mit 24 Einheiten BSP 3/8"
absperrbare Kupplung mit Schlauchanschluß (12 Wege)

MM T09.24NG 17



MM T09.24NGB 17



MM T09.24 Mobile Plate with 24 Unit NPT 3/8"
Female Threaded Shut-off Coupler (12 Circuit)

MM T09.24 Platte mit 24 Einheiten NPT 3/8"
absperrbare Kupplung mit Schlauchanschluß (12 Wege)

MM T09.24C (BSP 1")

MM T09.24CN (NPT 1")



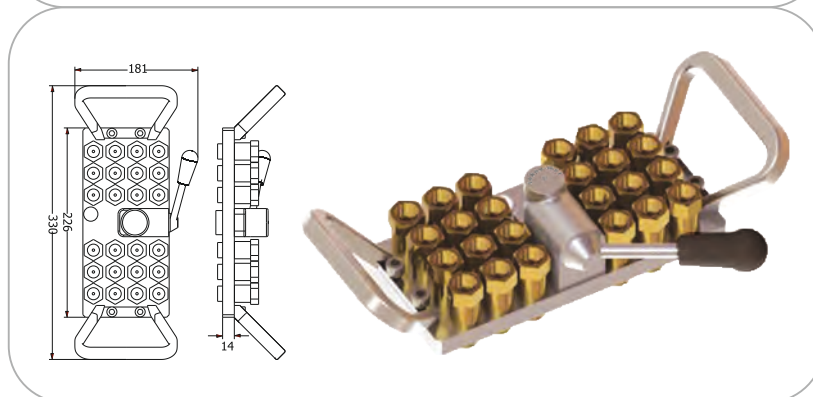
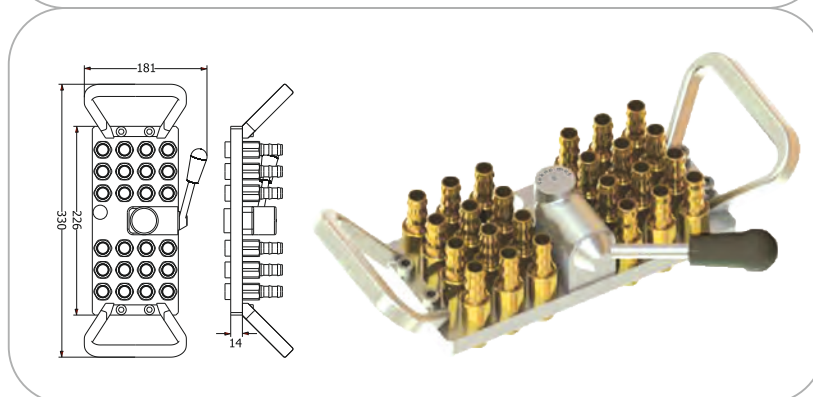
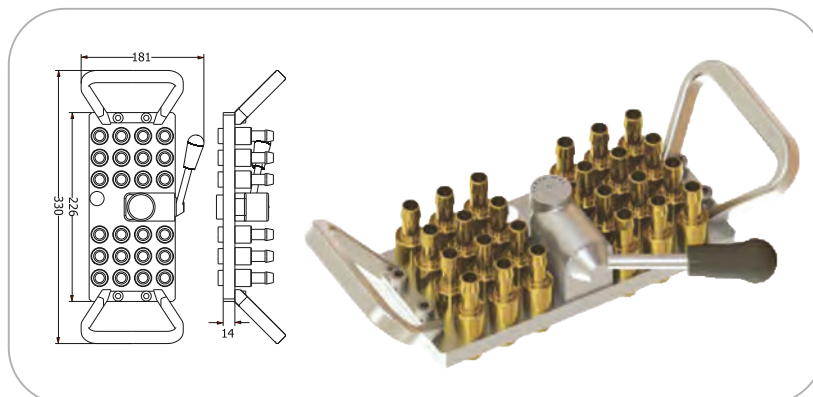
MM T09.24 Mobile plate with 1" Inlet
and Outlet Female Threaded Collector

MM T09.24 Platte mit 1" Einlass und
Auslaßsammler mit Innengewinde

MK T09.24

MK T09.24 Mould Plate
for 24 Unit Plugs (12 Circuit)

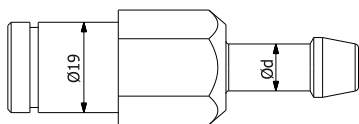
MK T09.24 Werkzeugseitige Platte
für 24 Einheiten Nippel (12 Wege)



Multi Couplings Systems for quick changing
of injection moulding and die cast equipments

Multikupplungensysteme für schnelles Wechseln
und Verbinden der Kokillen und Spritzgußformen

MULTI COUPLINGS SYSTEMS MULTIKUPPLUNGSSYSTEME

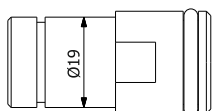


MM T09 HGB 10

Ø10 (3/8") Hose Tail Shut-off Coupler for MM T09 Manifold
Ø10 (3/8") absperrbare Kupplung mit Schlauchanschluß für MM T09 Multiupplung

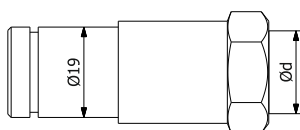
MM T09 HGB 12

Ø12 Hose Tail Shut-off Coupler for MM T09 Manifold
Ø12 absperrbare Kupplung mit Schlauchanschluß für MM T09 Multiupplung



MM T09 EGB 00

MM T09 Shut-off Coupler For Collector
MM T09 absperrbare Kupplung für Kollektor

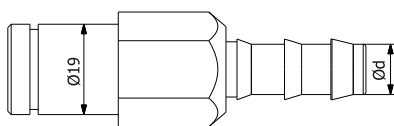


MM T09 DGB 17

BSP 3/8" Female Threaded MM T090 Shut-off Coupler
BSP 3/8" absperrbare Kupplung mit Innengewinde für MM T090 Multikupplung

MM T09 NGB 17

NPT 3/8" Female Threaded MM T09 Shut-off Coupler
NPT 3/8" absperrbare Kupplung mit Innengewinde für MM T09 Multikupplung

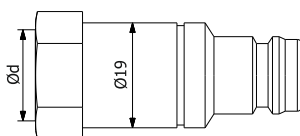


MM T09 FGB 13

Ø13 Push-lock Hose Tail MM T09 Shut-off Coupler
Ø13 absperrbare Kupplung mit automatisch verschließbarer
Schlauchtülle für MM T09 Multikupplung

MM T09 FGB 10

Ø10 (3/8") Push-lock Hose Tail Shut-off Coupler for MM T09 Manifold
Ø10 (3/8") absperrbare Kupplung mit automatisch verschließbarer
Schlauchtülle für MM T09 Multikupplung

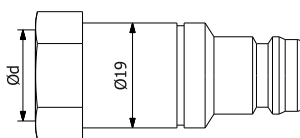


MK T09 DU 17

BSP 3/8" Female Threaded Unvalved Plug for MK T09 Manifold
BSP 3/8" Anschlußnippel mit Innengewinde für MK T09 Multikupplung

MK T09 NU 17

NPT 3/8" Female Threaded Unvalved Plug for MK T090 Manifold
NPT 3/8" Anschlußnippel mit Innengewinde für MK T09 Multikupplung

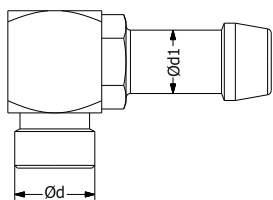


MK T09 DUB 17

BSP 3/8" Female Threaded Shut-off Plug for MK T109 Manifold
BSP 3/8" absperrbare Nippel mit innengewinde für MK T09 Manifold

MK T09 NUB 17

NPT 3/8" Female Threaded Shut-off Plug for MK T09 Manifold
NPT 3/8" absperrbare Nippel mit innengewinde für MK T09 Manifold

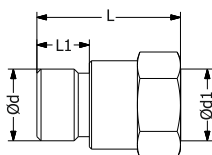


T09 EB 17.10

Elbow Ø10 (3/8") Hose Tail
Winkel Ø10 (3/8") Schlauchanschluß

T09 EB 17.12

Elbow Ø12 Hose Tail
Winkel Ø12 Schlauchanschluß

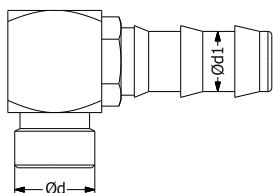


T09 NN 17

NPT 3/8" Female - BSP 3/8" Male Extantion
NPT 3/8" Innengewinde - BSP 3/8" Außengewinde Verlängerung

T09 EN 17

BSP 3/8" Female - BSP 3/8" Male Extantion
BSP 3/8" Innengewinde -BSP 3/8" Außengewinde Verlängerung



T09 EF 17.13

Elbow Ø12 Push-lock Hose Tail
Winkel Ø12 Schlauchanschluß ohne Klemmen

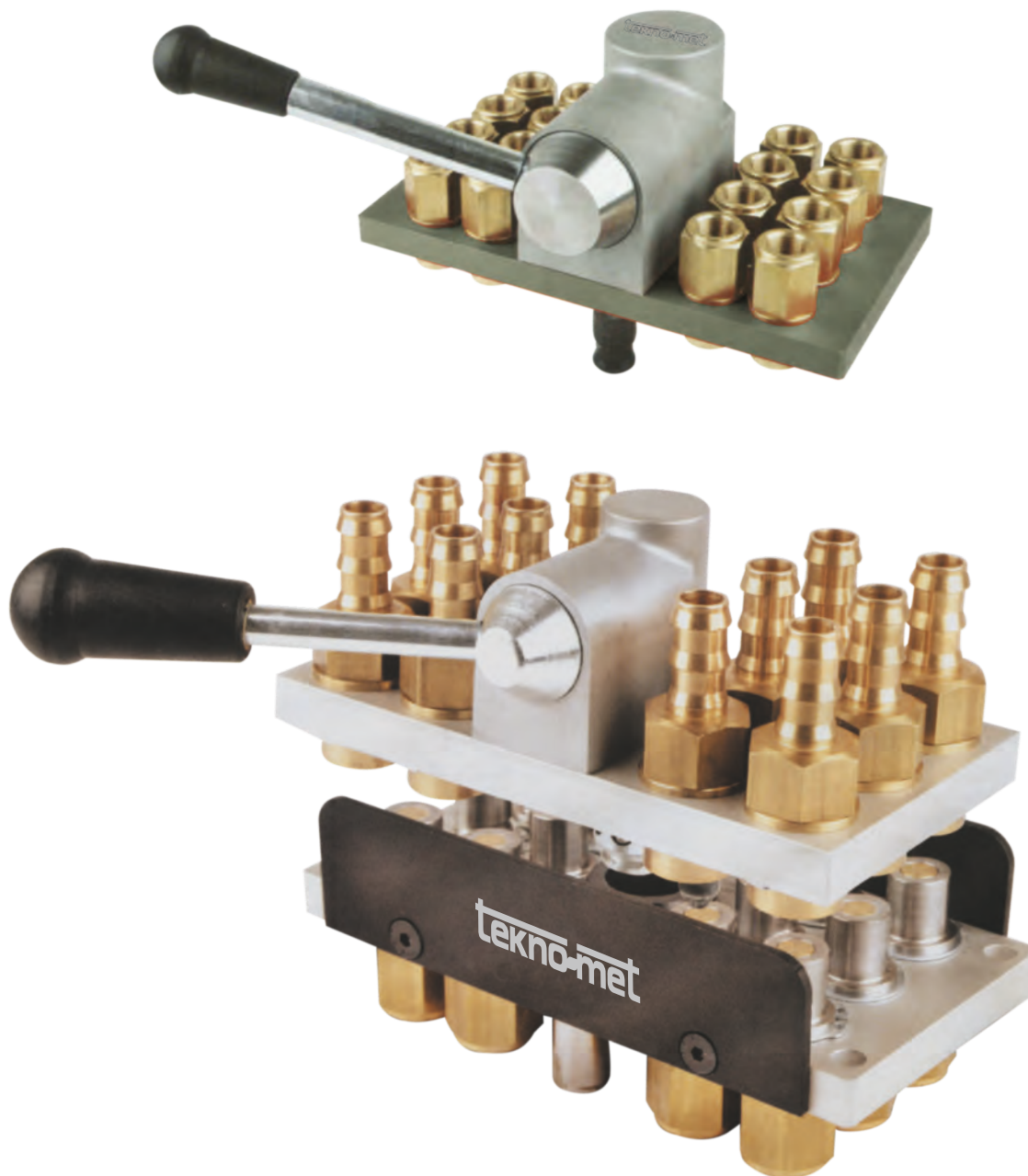
T09 EF 17.10

Elbow Ø10 (3/8") Push-lock Hose Tail
Winkel Ø10 Schlauchanschluß ohne Klemmen

Multi Couplings Systems for quick changing
of injection moulding and die cast equipments

Multikupplungssysteme für schnelles Wechseln
und Verbinden der Kokillen und Spritzgußformen

MULTI COUPLINGS SYSTEMS MULTIKUPPLUNGSSYSTEME



Tekno-met Multicoupling systems M152.09

Tekno-met Multikupplungssysteme type M152.09

Multi Couplings Systems for quick changing
of injection moulding and die cast equipments

Multikupplungssysteme für schnelles Wechseln
und Verbinden der Kokillen und Spritzgußformen

MULTI COUPLINGS SYSTEMS MULTIKUPPLUNGSSYSTEME

Tekno-met Multicoupling systems
Tekno-met Multikupplungssysteme type M152.09



Temperature Range - Temperaturbereich

For oil / bei Öl : -10°C +200°C (+14°F +392°F) FPM (V)

For water / bei Wasser : -100C +160°C (+14°F +320°F) FPM (V)

| Type | Max. Working Pressure Max. Betriebsdruck | Flow size Nennweite | Connections Anschlüsse | Circuits Anschlüsse |
|------------|---|------------------------|--------------------------------|-----------------------------|
| M152.09.10 | 16 bar | 10 | 6 - 8 - 10 - 12 - 16 - 20 - 24 | 3 - 4 - 5 - 6 - 8 - 10 - 12 |
| M152.09.12 | 16 bar | 12 | 6 - 10 - 12 - 16 - 18 - 20 | 3 - 5 - 6 - 9 - 10 |
| M152.09.16 | 16 bar | 16 | 10 - 12 | 5 - 6 |



Advantages

- * Flat face multi couplin prevents pollution to enter into the circuit.
- * Flat face multi coupling prevents fluid spillege into the working place

Specification

Connecting and disconnecting the circuits
in one operation for uick mold change.

Colour coded plates for circuit definition

Applications

Aluminium die casting
Test units
Plastics industry / cooling heating

Volteile

- *Flat Face Multikupplung verhindert die Verschmutzung im Kreislauf
- * Flat Face Multikupplung verhindert das Austreten von Flüssigkeiten

Eigenschaften

Verbinden und Trennen von mehreren Kreislaufen in einem
Arbeitsgang für das schnelle Rüsten

Kennzeichnung von Zu- und Rücklauf durch farbige Platten

Anwendungen

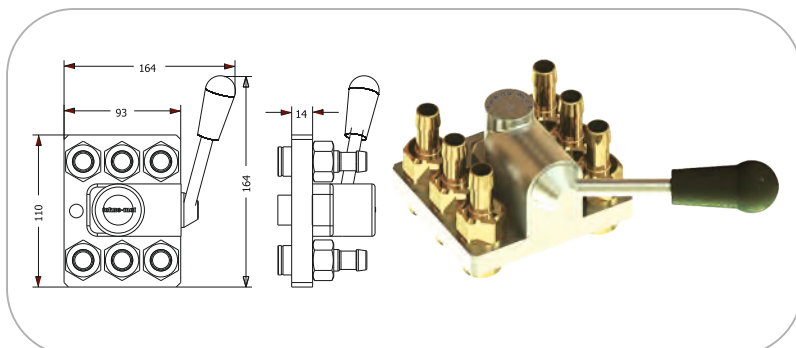
Aluminiumdruckguss
Prüfstände
Kunststoffindustrie / Mehrkreistemperierung / Kühlen Temperieren

Multi Couplings Systems for quick changing
of injection moulding and die cast equipments

Multikupplungssysteme für schnelles Wechseln
und Verbinden der Kokillen und Spritzgußformen

MULTI COUPLINGS SYSTEMS MULTIKUPPLUNGSSYSTEME

Tekno-met Multicoupling systems
Tekno-met Multikupplungssysteme type M152.09



Item code / Artikelnummer

Connection
Anschluss

M152.09.10-06 HGB 10
M152.09.10-06 HGB 12



Ø 10
Ø 12

M152.09.12-06 HGB 12
M152.09.12-06 HGB 16

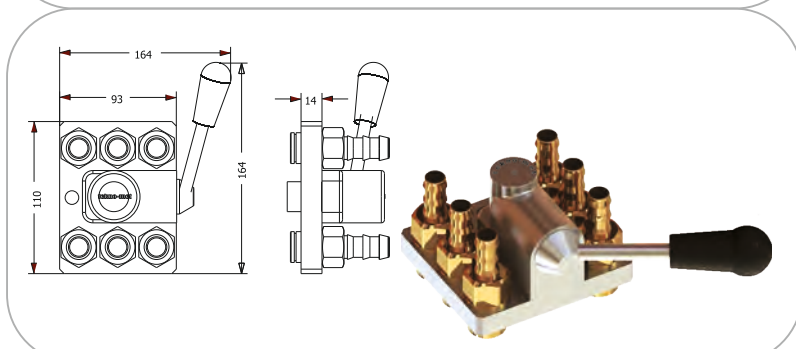


Ø 12
Ø 16

M152.09.16-06 HGB 16
M152.09.16-06 HGB 19



Ø 16
Ø 19



M152.09.10-06 HGB 10F
M152.09.10-06 HGB 12F



Ø 10
Ø 12

M152.09.12-06 HGB 12F
M152.09.12-06 HGB 16F

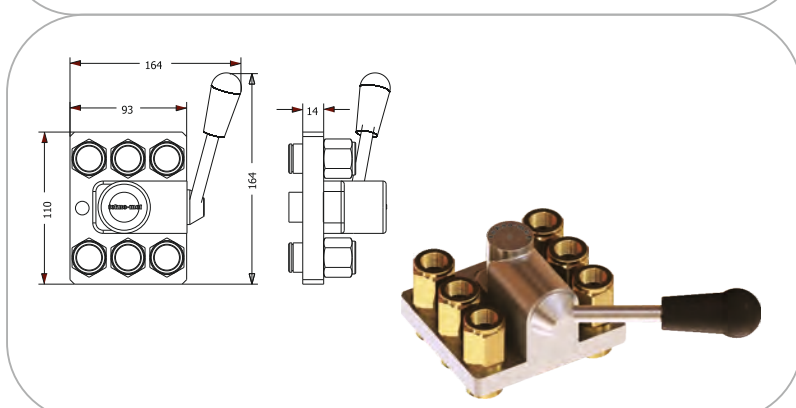


Ø 12
Ø 16

M152.09.16-06 HGB 16F
M152.09.16-06 HGB 19F



Ø 16
Ø 19



M152.09.10-06 DGB 17
M152.09.10-06 DGB 17



3/8"
3/8"

M152.09.12-06 DGB 21
M152.09.12-06 DGB 21

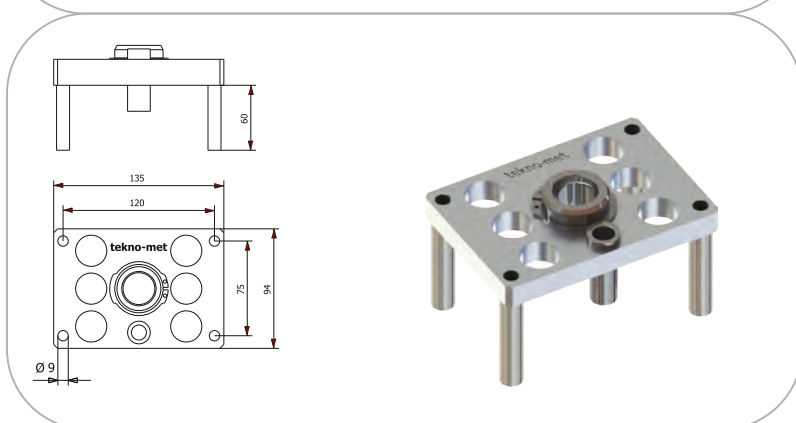


1/2"
1/2"

M152.09.16-06 DGB 26
M152.09.16-06 DGB 26



3/4"
3/4"



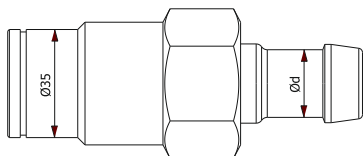
MK 152.09.10-06
MK 152.09.12-06
MK 152.09.12-06


MULTI COUPLINGS SYSTEMS MULTIKUPPLUNGSSYSTEME


Multi Couplings Systems for quick changing
of injection moulding and die cast equipments

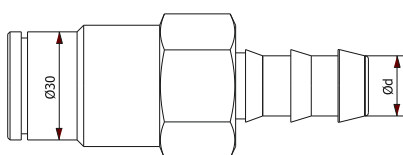
Multikupplungssysteme für schnelles Wechseln
und Verbinden der Kokillen und Spritzgußformen

Socekets - Kupplungen

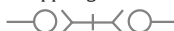


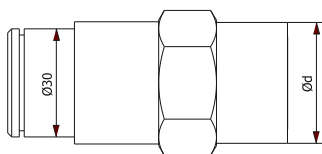
M152.09.16 HGB 16 
Ø10 (3/8") Hose Tail Shut-off Coupler for M152.09 Manifold
Ø10 (3/8") absperbare Kupplung mit Schlauchanschluß für M152.09 Multikupplung


M152.09.16 HGB 19 
Ø12 Hose Tail Shut-off Coupler for M152.09 Manifold
Ø12 absperbare Kupplung mit Schlauchanschluß für M152.09 Multikupplung

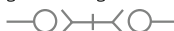


M152.09.16 HGF 16 
Ø13 Push-lock Hose Tail M152.09 Shut-off Coupler
Ø13 absperbare Kupplung mit automatisch verschließbarer
Schlauchtülle für M152.09 Multikupplung

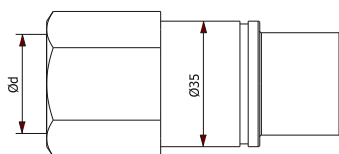
M152.09.16 HGF 19 
Ø10 (3/8") Push-lock Hose Tail Shut-off Coupler for M152.09 Manifold
Ø10 (3/8") absperbare Kupplung mit automatisch verschließbarer
Schlauchtülle für M152.09 Multikupplung




M152.09.16 EUB 26 
BSP 3/8" Female Threaded M152.09 Shut-off Coupler
BSP 3/8" absperbare Kupplung mit Innengewinde für M152.09 Multikupplung

M152.09.16 EUB 26N 
NPT 3/8" Female Threaded M152.09 Shut-off Coupler
NPT 3/8" absperbare Kupplung mit Innengewinde für M152.09 Multikupplung

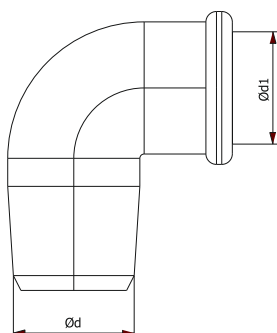
Plugs - Nippel



MK152.09.16 DUB 26 
BSP 3/8" Female Threaded Unvalved Plug for M152.09 Manifold
BSP 3/8" Anschlußnippel mit Innengewinde für M152.09 Multikupplung

MK152.09.16 DUB 26N 
NPT 3/8" Female Threaded Unvalved Plug for MK152.09 Manifold
NPT 3/8" Anschlußnippel mit Innengewinde für MK152.09 Multikupplung

Adapters elbow / Adapter Winkel



TE 26/26
Elbow BSP 3/4" Female Threaded- BSP 3/4" Male Threaded
Winkel BSP 3/4" Innengewinde-BSP 3/4" Außengewinde

NTE 26/26
Elbow NPT 3/4" Female Threaded- BSP 3/4" Male Threaded
Winkel NPT 3/4" Innengewinde-BSP Außengewinde

MT115.03

MT115.05

MULTI COUPLINGS SYSTEMS

High Pressure Hydraulic Flash Faced Multicoupling Systems

MULTIKUPPLUNGSSYSTEME

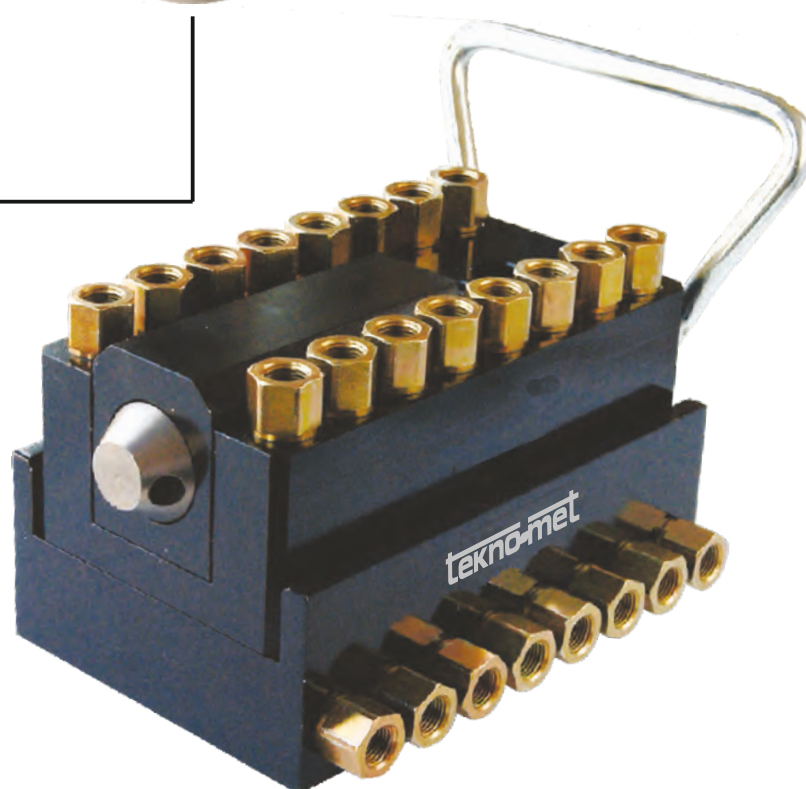
Hydraulische Multikupplungen für Hochdruck-in Leckagefreier Ausführung



TEKNO-MET CODE

MTK 115.05 EU M14

MTM 115.05 OG 18,5



Multi Couplings Systems
for quick changing of injection moulding
and die cast equipments

Multikupplungssysteme
für schnelles Wechseln und Verbinden
der Kokillen und Spritzgußformen

MULTI COUPLINGS SYSTEMS

High Pressure Hydraulic Flash Faced Multicoupling Systems

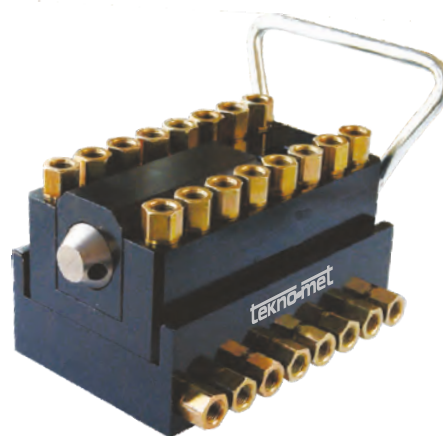
MULTIKUPPLUNGSSYSTEME

Hydraulische Multikupplungen für Hochdruck-in Leckagefreier Ausführung



MT115.03

| | | |
|-----|-------------------|-------------------|
| 8x8 | MTM115.03 - 16G10 | MTK115.03 - 16G10 |
| | MTM115.03 - 16N10 | MTK115.03 - 16N10 |
| 6x6 | MTM115.03 - 12G10 | MTK115.03 - 12G10 |
| | MTM115.03 - 12N10 | MTK115.03 - 12N10 |
| 4x4 | MTM115.03 - 08G10 | MTK115.03 - 08G10 |
| | MTM115.03 - 08N10 | MTK115.03 - 08N10 |
| 3x3 | MTM115.03 - 06G10 | MTK115.03 - 06G10 |
| | MTM115.03 - 06N10 | MTK115.03 - 06N10 |
| 2x2 | MTM115.03 - 04G10 | MTK115.03 - 04G10 |
| | MTM115.03 - 04N10 | MTK115.03 - 04N10 |



MT115.05

| | | | | |
|-----|-------------------|-------------------|-------------------|-------------------|
| 8x8 | MTM115.05 - 16G13 | MTK115.05 - 16G13 | MTM115.05 - 16Q13 | MTK115.05 - 16Q13 |
| | | | MTM115.05 - 16N13 | MTK115.05 - 16N13 |
| | | | MTM115.05 - 16U13 | MTK115.05 - 16U13 |
| 6x6 | MTM115.05 - 12G13 | MTK115.05 - 12G13 | MTM115.05 - 12Q13 | MTK115.05 - 12Q13 |
| | | | MTM115.05 - 12N13 | MTK115.05 - 12N13 |
| | | | MTM115.05 - 12U13 | MTK115.05 - 12U13 |
| 4x4 | MTM115.05 - 08G13 | MTK115.05 - 08G13 | MTM115.05 - 08G13 | MTK115.05 - 08G13 |
| | | | MTM115.05 - 08N13 | MTK115.05 - 08N13 |
| | | | MTM115.05 - 08U13 | MTK115.05 - 08U13 |
| 3x3 | MTM115.05 - 06G13 | MTK115.05 - 06G13 | MTM115.05 - 06G13 | MTK115.05 - 06G13 |
| | | | MTM115.05 - 06N13 | MTK115.05 - 06N13 |
| | | | MTM115.05 - 06U13 | MTK115.05 - 06U13 |
| 2x2 | MTM115.05 - 04G13 | MTK115.05 - 04G13 | MTM115.05 - 04G13 | MTK115.05 - 04G13 |
| | | | MTM115.05 - 04N13 | MTK115.05 - 04N13 |
| | | | MTM115.05 - 04U13 | MTK115.05 - 04U13 |



Multi Couplings Systems
for quick changing of injection moulding
and die cast equipments

Multikupplungssysteme
für schnelles Wechseln und Verbinden
der Kokillen und Spritzgußformen

MULTI COUPLINGS SYSTEMS

High Pressure Hydraulic Flash Faced Multicoupling Systems

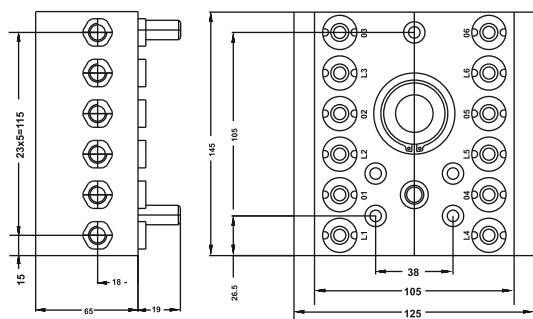
MULTIKUPPLUNGSSYSTEME

Hydraulische Multikupplungen für Hochdruck-in Leckagefreier Ausführung



3 ↔ 3

New Compact Hydraulic Manifold
Neue Kompakt hydraulisch Multikupplung



MTK115.05 - 06G13

Mould side fixed multi-coupling plate with 6 units BSP 1/4" female thread and 6 units type 115.05 flat faced plugs (3 Circuit)

Werkzeugseitige Hälfte des Multikupplungssystems MM 115.04 mit 6 hydraulischen Verschlußnippeln in leckagefreier Ausführung- BSP 1/4" Innengewinde, Typ 115.05 (3 Kreisläufe)



MTK115.05 - 06Q13

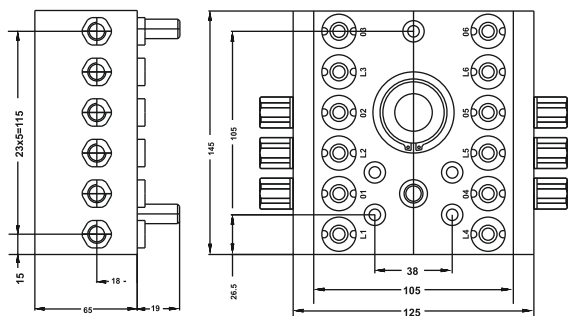
Mould side fixed multi-coupling plate with 6 units BSP 1/4" CONICAL female thread and 6 units type 115.05 flat faced plugs (3 Circuit)

Werkzeugseitige Hälfte des Multikupplungssystems MM 115.04 mit 6 hydraulischen Verschlußnippeln in leckagefreier Ausführung- BSP 1/4" KONISCHES Innengewinde, Typ 115.05 (3 Kreisläufe)

MTK115.05 - 06N13

Mould side fixed multi-coupling plate with 6 units NPT 1/4" female thread and 6 units type 115.05 flat faced plugs (3 Circuit)

Werkzeugseitige Hälfte des Multikupplungssystems MM 115.04 mit 6 hydraulischen Verschlußnippeln in leckagefreier Ausführung- NPT 1/4" Innengewinde, Typ 115.05 (3 Kreisläufe)



MTK115.05 - 06U13

Mould side fixed multi-coupling plate with 6 units 1/4" female thread and 6 units type 115.05 UN 1/2"-20 (SAE-J1926) flat faced plugs (3 Circuit)

Werkzeugseitige Hälfte des Multikupplungssystems MM 115.04 mit 6 hydraulischen Verschlußnippeln in leckagefreier Ausführung- 1/4" Innengewinde, Typ 115.05 UN 1/2"-20 (SAE-J1926) (3 Kreisläufe)

MULTI COUPLINGS SYSTEMS

High Pressure Hydraulic Flash Faced Multicoupling Systems

MULTIKUPPLUNGSSYSTEME

Hydraulische Multikupplungen für Hochdruck-in Leckagefreier Ausführung

Multi Couplings Systems
for quick changing of injection moulding
and die cast equipmentsMultikupplungssysteme
für schnelles Wechseln und Verbinden
der Kokillen und Spritzgußformen**4 ↔ 4****MTK115.03 - 08G10**

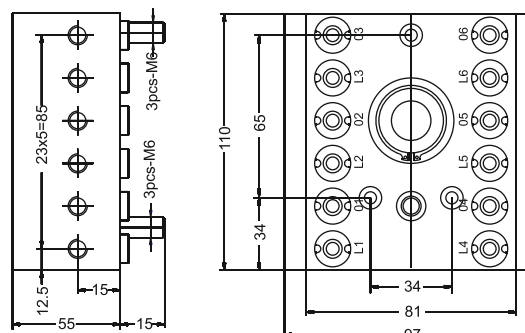
Mould side fixed multi-coupling plate with 8 units BSP 1/8" female thread and 8 units type 115.03 flat faced plugs (4 Circuit)

Werkzeugseitige Hälfte des Multikupplungssystems MM 115.03 mit 4 hydraulischen Verschlußnippeln in leckagefreier Ausführung- BSP 1/8" Innengewinde, Typ 115.03 (4 Kreisläufe)

MTK115.03 - 08N10

Mould side fixed multi-coupling plate with 8 units NPT 1/4" female thread and 8 units type 115.03 flat faced plugs (4 Circuit)

Werkzeugseitige Hälfte des Multikupplungssystems MM 115.03 mit 8 hydraulischen Verschlußnippeln in leckagefreier Ausführung- NPT 1/8" Innengewinde, Typ 115.03 (4 Kreisläufe)

**3 ↔ 3****MTK115.03 - 06G10**

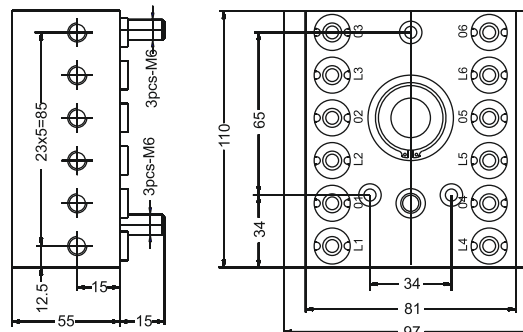
Mould side fixed multi-coupling plate with 6 units BSP 1/8" female thread and 6 units type 115.03 flat faced plugs (3 Circuit)

Werkzeugseitige Hälfte des Multikupplungssystems MM 115.03 mit 6 hydraulischen Verschlußnippeln in leckagefreier Ausführung- BSP 1/8" Innengewinde, Typ 115.03 (3 Kreisläufe)

MTK115.03 - 06N10

Mould side fixed multi-coupling plate with 6 units NPT 1/8" female thread and 6 units type 115.03 flat faced plugs (3 Circuit)

Werkzeugseitige Hälfte des Multikupplungssystems MM 115.03 mit 6 hydraulischen Verschlußnippeln in leckagefreier Ausführung- NPT 1/8" Innengewinde, Typ 115.03 (3 Kreisläufe)



Multi Couplings Systems
for quick changing of injection moulding
and die cast equipments

Multikupplungssysteme
für schnelles Wechseln und Verbinden
der Kokillen und Spritzgußformen

MULTI COUPLINGS SYSTEMS

High Pressure Hydraulic Flash Faced Multicoupling Systems

MULTIKUPPLUNGSSYSTEME

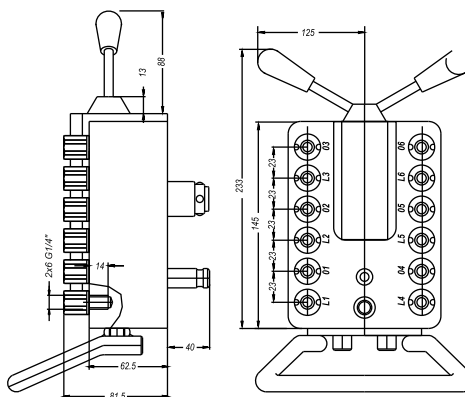
Hydraulische Multikupplungen für Hochdruck-in Leckagefreier Ausführung

6 ↔ 6

MTM115.05 - 12G13

Press Side Mobile multi-coupling plate with 12 unit BSP 1/4" female threads and 12 unit 115.05 flat faced couplers (6 Circuit)

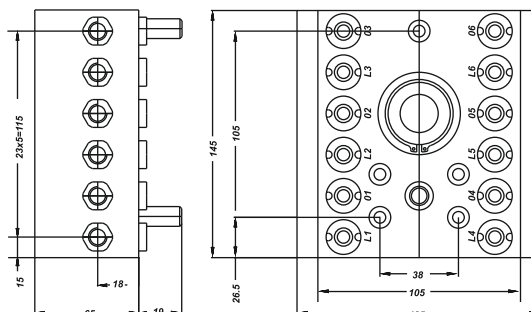
Maschinenseitige Hälfte des Multikupplungssystems MM 115.05 mit 12 hydraulischen Verschlußkupplung in leckagefreier Ausführung- BSP 1/4" Innengewinde, Typ 115.05 (6 Kreisläufe)

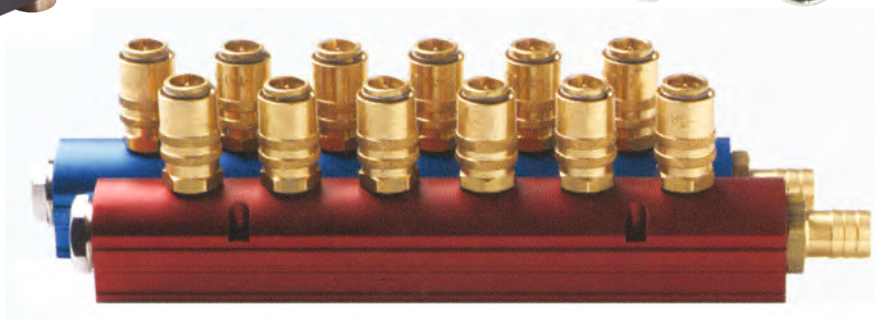


MTK115.05 - 12G13

Mould side fixed multi-coupling plate with 12 units BSP 1/4" female thread and 12 units type 115.05 flat faced plugs (6 Circuit)

Werkzeugseitige Hälfte des Multikupplungssystems MK 115.05 mit 12 hydraulischen Verschlußrippeln in leckagefreier Ausführung- BSP 1/4" Innengewinde, Typ 115.05 (6 Kreisläufe)

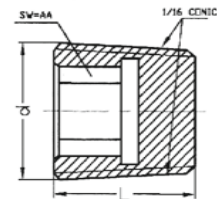




ACCESSORIES

Ordering of the cylindrical plugs
please add - D - at the end of the order no

Für zylindrische Verschlusstopfen
schreiben Sie bitte ein - D - dazu



BSPT Pressure Plugs (1/16" Conical thread) - Verschlusstopfen mit BSPT - Gewinde (1/16" konisch)

Material :MS58 (Brass) - Messing (DIN 906)

| Order No Bestell Nr. | d | L | SW |
|-------------------------|-------------|----|----|
| TKTR 10 | BSPT 1/8" | 8 | 5 |
| TKTR 13 | BSPT 1/4" | 10 | 7 |
| TKTR 17 | BSPT 3/8" | 10 | 8 |
| TKTR 21 | BSPT 1/2" | 10 | 10 |
| TKTR 26 | BSPT 3/4" | 12 | 12 |
| TKTR 33 | BSPT 1" | 19 | 17 |
| TKTR 42 | BSPT 1 1/4" | 22 | 22 |
| TKTR 48 | BSPT 1 1/2" | 22 | 24 |

Material :Steel - Stahl (DIN 906)

| Order No Bestell Nr. | d | L | SW |
|-------------------------|-------------|----|----|
| TKTR 10.C | BSPT 1/8" | 8 | 5 |
| TKTR 13.C | BSPT 1/4" | 10 | 6 |
| TKTR 17.C | BSPT 3/8" | 11 | 8 |
| TKTR 21.C | BSPT 1/2" | 13 | 10 |
| TKTR 26.C | BSPT 3/4" | 17 | 12 |
| TKTR 33.C | BSPT 1" | 19 | 17 |
| TKTR 42.C | BSPT 1 1/4" | 22 | 22 |
| TKTR 48.C | BSPT 1 1/2" | 22 | 24 |

Material :Stainless steel (AISI 316L)-Edelstahl (DIN 906)

| Order No Bestell Nr. | d | L | SW |
|-------------------------|-------------|----|----|
| TKTR 10.S | BSPT 1/8" | 8 | 5 |
| TKTR 13.S | BSPT 1/4" | 10 | 6 |
| TKTR 17.S | BSPT 3/8" | 11 | 8 |
| TKTR 21.S | BSPT 1/2" | 13 | 10 |
| TKTR 26.S | BSPT 3/4" | 17 | 12 |
| TKTR 33.S | BSPT 1" | 19 | 17 |
| TKTR 42.S | BSPT 1 1/4" | 22 | 22 |
| TKTR 48.S | BSPT 1 1/2" | 22 | 24 |

NPT Pressure Plugs (1/16" Conical thread)

Material :MS58 (Brass) - Messing (DIN 906)

| Order No Bestell Nr. | d | L | SW |
|-------------------------|------------|----|----|
| TKTN 10 | NPT 1/8" | 8 | 5 |
| TKTN 13 | NPT 1/4" | 10 | 6 |
| TKTN 17 | NPT 3/8" | 11 | 8 |
| TKTN 21 | NPT 1/2" | 13 | 10 |
| TKTN 26 | NPT 3/4" | 17 | 12 |
| TKTN 33 | NPT 1" | 19 | 17 |
| TKTN 42 | NPT 1 1/4" | 22 | 22 |
| TKTN 48 | NPT 1 1/2" | 22 | 24 |

Material :Steel - Stahl (DIN 906)

| Order No Bestell Nr. | d | L | SW |
|-------------------------|------------|----|----|
| TKTN 10.C | NPT 1/8" | 8 | 5 |
| TKTN 13.C | NPT 1/4" | 10 | 6 |
| TKTN 17.C | NPT 3/8" | 11 | 8 |
| TKTN 21.C | NPT 1/2" | 13 | 10 |
| TKTN 26.C | NPT 3/4" | 17 | 12 |
| TKTN 33.C | NPT 1" | 19 | 17 |
| TKTN 42.C | NPT 1 1/4" | 22 | 22 |
| TKTN 48.C | NPT 1 1/2" | 22 | 24 |

Material :Stainless steel (AISI 316L)-Edelstahl (DIN 906)

| Order No Bestell Nr. | d | L | SW |
|-------------------------|------------|----|----|
| TKTN 10.S | NPT 1/8" | 8 | 5 |
| TKTN 13.S | NPT 1/4" | 10 | 6 |
| TKTN 17.S | NPT 3/8" | 11 | 8 |
| TKTN 21.S | NPT 1/2" | 13 | 10 |
| TKTN 26.S | NPT 3/4" | 17 | 12 |
| TKTN 33.S | NPT 1" | 19 | 17 |
| TKTN 42.S | NPT 1 1/4" | 22 | 22 |
| TKTN 48.S | NPT 1 1/2" | 22 | 24 |

Metric Pressure Plugs (1/16" Conical thread)

Material :MS58 (Brass) - Messing (DIN 906)

| Order No Bestell Nr. | d | L | SW |
|-------------------------|---------|----|----|
| TKTM 8 | M8x0,75 | 8 | 4 |
| TKTM 10 | M10x1 | 8 | 5 |
| TKTM 12 | M12x1.5 | 10 | 6 |
| TKTM 14 | M14x1.5 | 10 | 7 |
| TKTM 16 | M16x1.5 | 10 | 8 |
| TKTM 24 | M24x1.5 | 10 | 12 |

Material :Steel - Stahl (DIN 906)

| Order No Bestell Nr. | d | L | SW |
|-------------------------|---------|----|----|
| TKTM 8.C | M8x0,75 | 8 | 4 |
| TKTM 10.C | M10x1 | 8 | 5 |
| TKTM 12.C | M12x1.5 | 10 | 6 |
| TKTM 14.C | M14x1.5 | 10 | 7 |
| TKTM 16.C | M16x1.5 | 10 | 8 |
| TKTM 24.C | M24x1.5 | 10 | 12 |

Material :Stainless steel (AISI 316L)-Edelstahl (DIN 906)

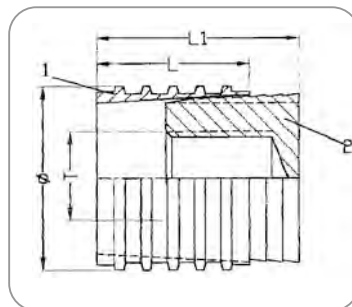
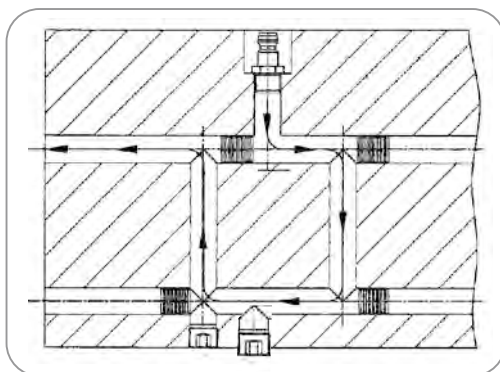
| Order No Bestell Nr. | d | L | SW |
|-------------------------|---------|----|----|
| TKTM 8.S | M8x0,75 | 8 | 4 |
| TKTM 10.S | M10x1 | 8 | 5 |
| TKTM 12.S | M12x1.5 | 10 | 6 |
| TKTM 14.S | M14x1.5 | 10 | 7 |
| TKTM 16.S | M16x1.5 | 10 | 8 |
| TKTM 24.S | M24x1.5 | 10 | 12 |

HKT Threadless Pressure Plug HKT Gewindeloses Druckdüse

Interchangeability - Kompatibilität : HASCO Z 942

Material :

- 1 - MS58 Brass - Messing
- 2 - Stainless Steel - Edeltal



| Order No/ Bestell Nr. | T | Ø | L | L ₁ | Package Pcs. Paket Stück |
|-----------------------|----|----|----|----------------|-----------------------------|
| THKT - 06 | M3 | 6 | 8 | 11.5 | 25 |
| THKT - 08 | M4 | 8 | 8 | 11.5 | 25 |
| THKT - 10 | M6 | 10 | 10 | 14 | 25 |
| THKT - 12 | M6 | 12 | 10 | 14 | 15 |
| THKT - 15 | M8 | 15 | 12 | 16 | 15 |
| THKT - 16 | M8 | 16 | 12 | 16 | 15 |
| THKT - 20 | M8 | 20 | 12 | 16 | 15 |

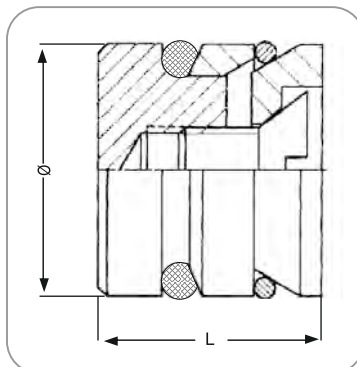
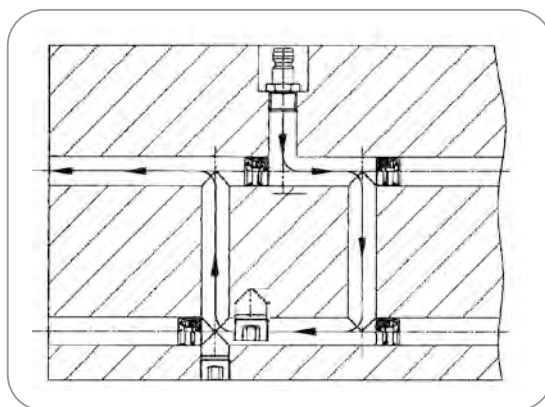
DKT Threadless Pressure Plug DKT Gewindeloses Druckdüse

Interchangeability - Kompatibilität : EOC KN/105

Material : MS58 Brass - Messing

O-Ring : Viton®

Max. Isı - Max. Temp. :200°C



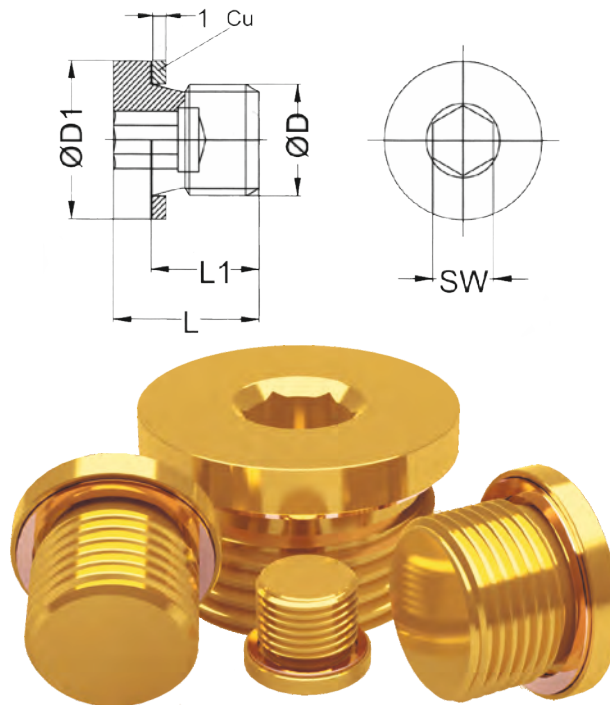
| Order No/ Bestell Nr. | Ø | L | Package Pcs. Paket Stück |
|-----------------------|------|----|-----------------------------|
| TDKT - 06 | 6 | 10 | 10 |
| TDKT - 07 | 7 | 10 | 10 |
| TDKT - 08 | 8 | 10 | 10 |
| TDKT - 8.5 | 8.5 | 10 | 10 |
| TDKT - 10 | 10 | 10 | 10 |
| TDKT - 11.5 | 11.5 | 10 | 10 |
| TDKT - 12 | 12 | 10 | 10 |
| TDKT - 14 | 14 | 12 | 10 |
| TDKT - 15 | 15 | 12 | 10 |
| TDKT - 16 | 16 | 12 | 10 |
| TDKT - 20 | 20 | 12 | 10 |
| TDKT - 22 | 22 | 12 | 10 |

ACCESSORIES

Pressure Plug / KFR Verschlusstopfen

Material : Brass - Messing

| Order No Bestell Nr. | ØD | ØD1 | L | L1 | SW |
|-------------------------|---------|-----|----|----|----|
| TKFR10 | G1/8" | 16 | 11 | 8 | 5 |
| TKFR13 | G1/4" | 18 | 15 | 12 | 6 |
| TKFR17 | G3/8" | 22 | 15 | 12 | 8 |
| TKFR21 | G1/2" | 24 | 18 | 14 | 10 |
| TKFR26 | G3/4" | 32 | 20 | 15 | 12 |
| TKFR33 | G1" | 39 | 21 | 16 | 17 |
| TKFM10 | M10x1 | 14 | 11 | 8 | 5 |
| TKFM12 | M12x1.5 | 17 | 15 | 12 | 6 |
| TKFM14 | M14x1.5 | 19 | 15 | 12 | 6 |
| TKFM16 | M16x1.5 | 21 | 15 | 12 | 8 |
| TKFM22 | M22x1.5 | 27 | 18 | 15 | 10 |
| TKFM24 | M24x1.5 | 30 | 18 | 15 | 12 |

BSP = G
NPT = NM = Metric
NPT = N

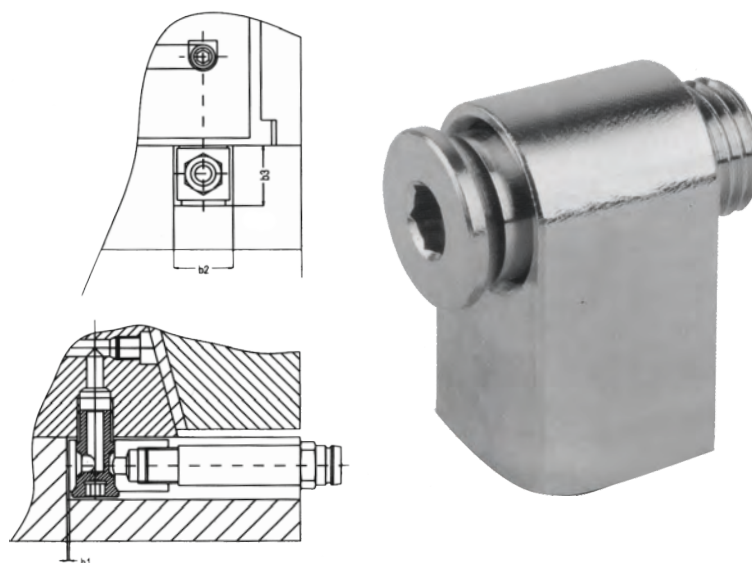
| Diş Thread | Order No Bestell Nr. | Diş Thread | Order No Bestell Nr. |
|---------------|-------------------------|---------------|-------------------------|
| N/G 1/4" | TKTS 13 | M 10 | TKTM 10 |
| N/G 3/8" | TKTS 17 | M12 | TKTM 12 |
| N/G 1/2" | TKTS 21 | M14 | TKTM 14 |
| N/G 3/4" | TKTS 26 | M16 | TKTM 16 |
| N/G 1" | TKTS 33 | M18 | TKTM 18 |
| N/G 1.1/4" | TKTS 42 | M22 | TKTM 22 |
| N/G 1.1/2" | TKTS 48 | | |
| N/G 2" | TKTS 60 | | |



Rotatable connector - Umdrehende Anschlüsse

Material : MS58 (Brass) - Messing

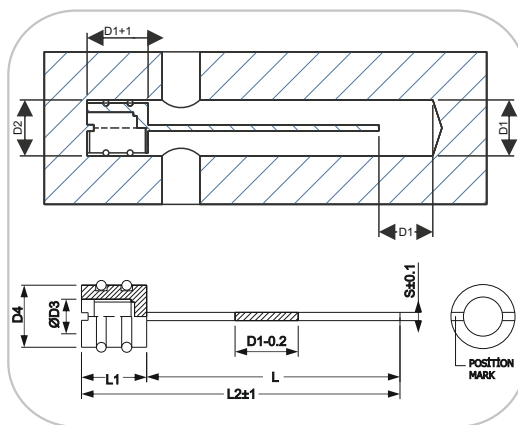
| Order No Bestell Nr. | b1 | b2 | b3 | |
|-------------------------|---------|----|----|------|
| THDB10 | G1/8" | 1 | 16 | 17 |
| THDBM10 | M10x1 | 1 | 16 | 17 |
| THDB13 | G1/4" | 1 | 16 | 23 |
| THDBM14 | M14x1.5 | 1 | 16 | 23 |
| THDB21 | G1/2" | 1 | 16 | 35.5 |



ACCESSORIES

Threadless Plug Baffles
Temperierelemente mit flachem
Teilungsblech (ohne Gewinde)

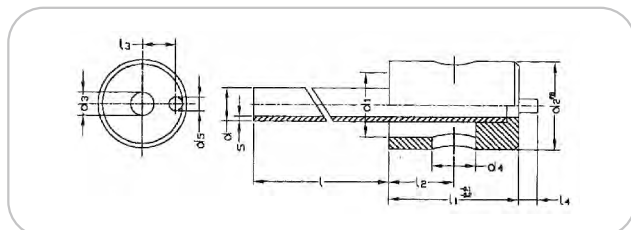
Material: Brass - MS58 - Messing
O- Ring: Viton
Max. Temp.:180°C



| Sipariş No Order No | l_1 | d_1 | d_3 | d_5 | l_5 | b | l_2 | S |
|------------------------|-------|-------|-------|-------|-------|-----|-------|-----|
| TLKS 8 | 13 | 8 | M3 | 6 | 6 | 6 | 140 | 2 |
| TLKS 10 | 13 | 10 | M5 | 8 | 8 | 8 | 180 | 2 |
| TLKS 12 | 13 | 12 | M6 | 10 | 10 | 10 | 180 | 2 |
| TLKS 14 | 16 | 14 | M6 | 12 | 12 | 12 | 220 | 2 |
| TLKS 16 | 16 | 16 | M8 | 15 | 15 | 15 | 250 | 2 |
| TLKS 18 | 16 | 18 | M8 | 16 | 16 | 16 | 250 | 2 |
| TLKS 20 | 20 | 20 | M10 | 18 | 18 | 18 | 300 | 2 |
| TLKS 22 | 20 | 22 | M12 | 20 | 20 | 20 | 300 | 2 |
| TLKS 26 | 22 | 26 | M16 | 25 | 25 | 25 | 390 | 2 |

BKS Cascade / Temperierelemente für Standardbohrungen

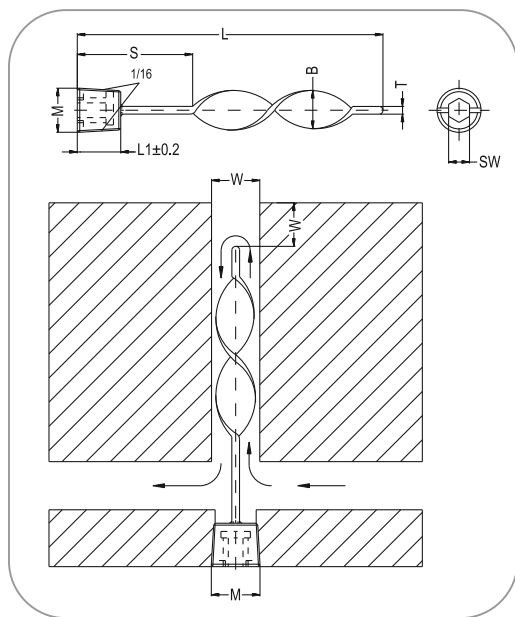
Interchangeability-Kompatibilität
HASCO Z/965
Material : MS58 (Brass) - Messing
Max. Temp. : 135°C



| Sipariş No Order No | L | L_1 | L_2 | L_3 | L_4 | d | d_1 | d_2 | d_3 | d_4 | d_5 | S |
|----------------------------|-----|-------|-------|-------|-------|-----|-------|-------|-------|-------|-------|-----|
| TBKS 10/2.6x0.3x100 | 100 | 16 | 9 | 3.5 | 2.5 | 2.6 | 4 | 10 | 2 | 4 | 2 | 0.3 |
| TBKS 10/2.6x0.3x200 | 200 | 16 | 9 | 3.5 | 2.5 | 2.6 | 4 | 10 | 2 | 4 | 2 | 0.3 |
| TBKS 10/3x0.3x100 | 100 | 16 | 9 | 3.5 | 2.5 | 3 | 5 | 10 | 2.4 | 4 | 2 | 0.3 |
| TBKS 10/3x0.3x200 | 200 | 16 | 9 | 3.5 | 2.5 | 3 | 6 | 10 | 2.4 | 4 | 2 | 0.3 |
| TBKS 10/4x0.5x100 | 100 | 16 | 9 | 3.5 | 2.5 | 4 | 6 | 10 | 3 | 4 | 2 | 0.5 |
| TBKS 10/4x0.5x200 | 200 | 16 | 9 | 3.5 | 2.5 | 4 | 6 | 10 | 3 | 4 | 2 | 0.5 |
| TBKS 12/5x0.5x160 | 160 | 18 | 9 | 4.5 | 2.5 | 5 | 8 | 12 | 4 | 6 | 2 | 0.5 |
| TBKS 12/5x0.5x315 | 315 | 18 | 9 | 4.5 | 2.5 | 5 | 8 | 12 | 4 | 6 | 2 | 0.5 |
| TBKS 16/6x0.5x160 | 160 | 18 | 9 | 6 | 2.5 | 6 | 12 | 16 | 5 | 6 | 2 | 0.5 |
| TBKS 16/6x0.5x315 | 316 | 18 | 9 | 6 | 2.5 | 6 | 12 | 16 | 5 | 6 | 2 | 0.5 |
| TBKS 18/8x1x160 | 160 | 18 | 9 | 7 | 2.5 | 8 | 14 | 18 | 6 | 6 | 2 | 1 |
| TBKS 18/8x1x315 | 315 | 18 | 9 | 7 | 2.5 | 8 | 14 | 18 | 6 | 6 | 2 | 1 |
| TBKS 20/10x1x160 | 160 | 20 | 10 | 8 | 2.5 | 10 | 16 | 20 | 8 | 8 | 2 | 1 |
| TBKS 20/10x1x315 | 315 | 20 | 10 | 8 | 2.5 | 10 | 16 | 20 | 8 | 8 | 2 | 1 |
| TBKS 25/12x1x160 | 160 | 25 | 13 | 9.5 | 3 | 12 | 20 | 25 | 10 | 10 | 3 | 1 |
| TBKS 25/12x1x315 | 315 | 25 | 13 | 9.5 | 3 | 12 | 20 | 25 | 10 | 10 | 3 | 1 |

Mould Cooling ItemsSpiral Blade Plug Baffles
With BSPT / NPT Thread**Kühlungselemente für Formwerkzeuge**Temperierelemente mit Spiralkerne
(NPT-BSPT Gewinde)

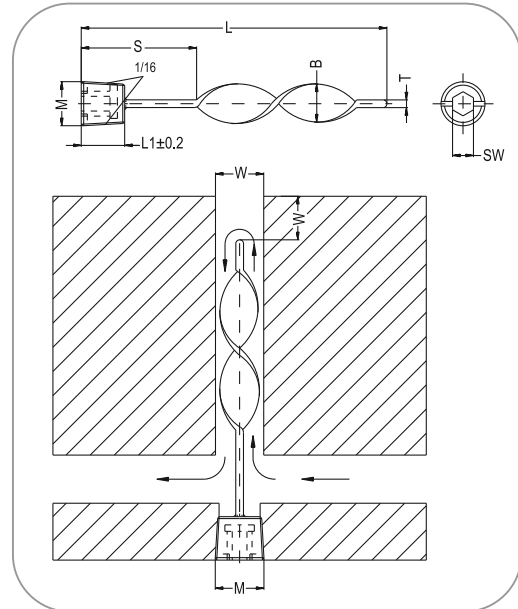
Material : MS58 (Brass) - Messing



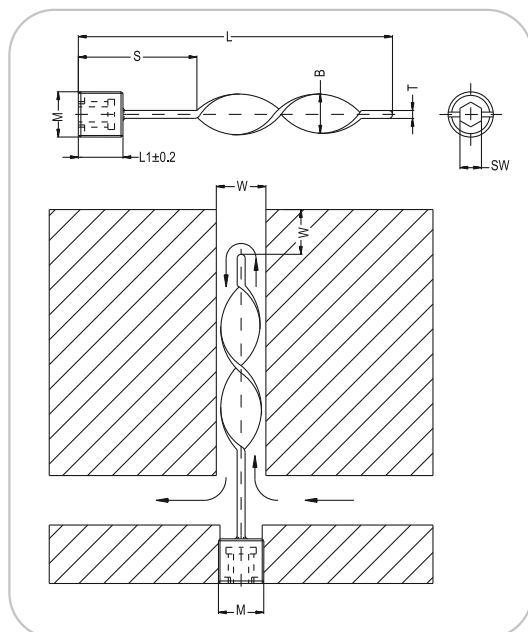
| BSPT Thread - Gewinde Order No / Bestell Nr. | NPT Thread - Gewinde Order No / Bestell Nr. | ØD | S | SW | W | B | L | L ₁ | T Blade Thickness Klinge Dicks |
|---|--|-------|-----|----|------|--------|-----|----------------|--------------------------------------|
| TBSP 100.08 | TNSP100.08 | 1/16" | 51 | 4 | 6.5 | 1/4" | 101 | 8 | 1,61/16" |
| TBSP200.08 | TNSP 200.08 | 1/16" | 102 | 4 | 6.5 | 1/4" | 203 | 8 | 1,61/16" |
| TBSP 100.10 | TNSP 100.10 | 1/8" | 51 | 5 | 8.5 | 5/16" | 101 | 8 | 1,61/16" |
| TBSP 200.10 | TNSP 200.10 | 1/8" | 102 | 5 | 8.5 | 5/16" | 203 | 8 | 1,61/16" |
| TBSP 125.13 | TNSP 125.13 | 1/4" | 51 | 7 | 11.5 | 7/16" | 127 | 10 | 2,43/32" |
| TBSP 250.13 | TNSP 250.13 | 1/4" | 102 | 7 | 11.5 | 7/16" | 254 | 10 | 2,43/32" |
| TBSP 150.17 | TNSP 150.17 | 3/8" | 51 | 8 | 15 | 9/16" | 152 | 10 | 2,43/32" |
| TBSP 300.17 | TNSP 300.17 | 3/8" | 102 | 8 | 15 | 9/16" | 305 | 10 | 2,43/32" |
| TBSP 200.21 | TNSP 200.21 | 1/2" | 76 | 10 | 18.5 | 11/16" | 203 | 10 | 2,43/32" |
| TBSP 400.21 | TNSP 400.21 | 1/2" | 127 | 10 | 18.5 | 11/16" | 406 | 10 | 2,43/32" |
| TBSP 300.26 | TNSP 300.26 | 3/4" | 102 | 12 | 23.5 | 15/16" | 305 | 12 | 3,21/8" |
| TBSP 500.26 | TNSP 500.26 | 3/4" | 153 | 12 | 23.5 | 15/16" | 508 | 12 | 3,21/8" |
| TBSP 400.33 | TNSP 400.33 | 1" | 127 | 12 | 28.5 | 1 1/8" | 406 | 12 | 3,21/8" |
| TBSP 600.33 | TNSP 600.33 | 1" | 203 | 12 | 28.5 | 1 1/8" | 610 | 12 | 3,21/8" |

Spiral Blade Plug Baffles With M Conical Thread M konische Auslenkung mit Spiralklingenspitze

Material : MS58 (Brass) - Messing



| Matric Thread - Metrisches Gewinde Order No/ Bestell Nr. | Konik Conical M | S | SW | W | B | L | L ₁ | T Blade Thickness Klinge Dicks |
|---|-----------------------|-----|----|----|------|-----|----------------|--------------------------------------|
| TMSPK 100.08 | 8x0.75 | 50 | 4 | 6 | 5.8 | 100 | 8 | 1.6 |
| TMSPK 100.08 | 8x0.75 | 100 | 4 | 6 | 5.8 | 200 | 8 | 1.6 |
| TMSPK 100.08 | 8x0.75 | 150 | 4 | 6 | 5.8 | 300 | 8 | 1.6 |
| TMSPK 100.10 | 10x1.0 | 50 | 5 | 8 | 7.8 | 100 | 8 | 1.6 |
| TMSPK 100.10x1.5 | 10x1.5 | 50 | 5 | 8 | 7.8 | 100 | 8 | 1.6 |
| TMSPK 200.10 | 10x1.0 | 100 | 5 | 8 | 7.8 | 200 | 8 | 1.6 |
| TMSPK 200.10 | 10x1.0 | 150 | 5 | 8 | 7.8 | 300 | 8 | 1.6 |
| TMSPK 125.12 | 12x1.5 | 50 | 6 | 10 | 9.8 | 125 | 8 | 2.0 |
| TMSPK 125.12x1.5 | 12x1.75 | 50 | 6 | 10 | 9.8 | 125 | 8 | 2.0 |
| TMSPK 250.12 | 12x1.5 | 100 | 6 | 10 | 9.8 | 250 | 8 | 2.0 |
| TMSPK 150.16 | 16x1.5 | 50 | 8 | 14 | 13.8 | 150 | 10 | 2.4 |
| TMSPK 300.16 | 16x1.5 | 100 | 8 | 14 | 13.8 | 300 | 10 | 2.4 |
| TMSPK 150.20 | 20x1.5 | 50 | 10 | 18 | 17.8 | 150 | 10 | 2.4 |
| TMSPK 300.20 | 20x1.5 | 100 | 10 | 18 | 17.8 | 300 | 10 | 2.4 |
| TMSPK 150.24 | 24x2.9 | 50 | 12 | 20 | 19.8 | 150 | 12 | 2.5 |
| TMSPK 300.24 | 24x2.0 | 100 | 12 | 20 | 19.8 | 300 | 12 | 2.5 |



**Spiral Blade Plug Baffles
With M Cylindrical Thread
Spiralblatt mit Ende M zylindrische
Ablenkplatte**

Material : MS58 Brass - Messing

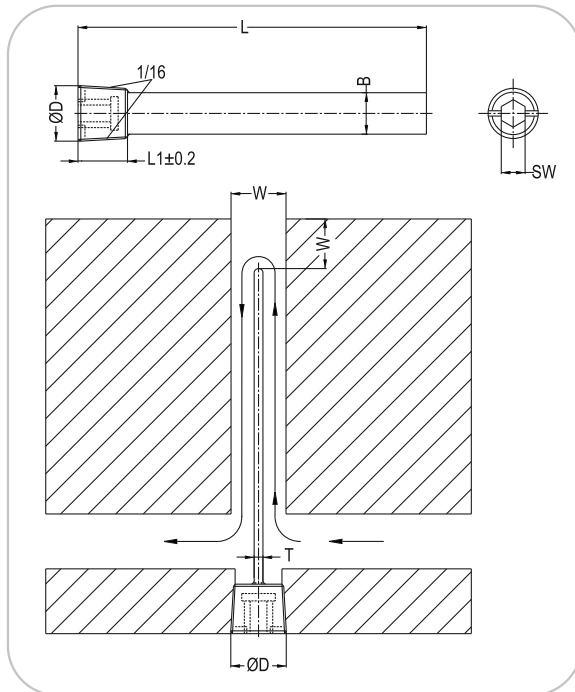


| Matric Thread - Metrisches Gewinde Order No/ Bestell Nr. | Cylindrical Plug Gerade Spitze M | S | SW | W | B | L | L ₁ | T Blade Thickness Klinge Dicks |
|---|--|-----|----|----|------|-----|----------------|--------------------------------------|
| TMSP 100.08 | 8x0.75 | 50 | 4 | 6 | 5.8 | 100 | 8 | 1.6 |
| TMSP 200.08 | 8x0.75 | 100 | 4 | 6 | 5.8 | 200 | 8 | 1.6 |
| TMSP 300.08 | 8x0.75 | 150 | 4 | 6 | 5.8 | 300 | 8 | 1.6 |
| TMSP 100.10 | 10x1.0 | 50 | 5 | 8 | 7.8 | 100 | 8 | 1.6 |
| TMSP 100.10x1.5 | 10x1.5 | 50 | 5 | 8 | 7.8 | 100 | 8 | 1.6 |
| TMSP 200.10 | 10x1.0 | 100 | 5 | 8 | 7.8 | 200 | 8 | 1.6 |
| TMSP 300.10 | 10x1.0 | 150 | 5 | 8 | 7.8 | 300 | 8 | 1.6 |
| TMSP 125.12 | 12x1.5 | 50 | 6 | 10 | 9.8 | 125 | 8 | 2.0 |
| TMSP 125.12x1.75 | 12x1.75 | 50 | 6 | 10 | 9.8 | 125 | 8 | 2.0 |
| TMSP 250.12 | 12x1.5 | 100 | 6 | 10 | 9.8 | 250 | 8 | 2.0 |
| TMSP 150.16 | 16x1.5 | 50 | 8 | 14 | 13.8 | 150 | 10 | 2.4 |
| TMSP 300.16 | 16x1.5 | 100 | 8 | 14 | 13.8 | 300 | 10 | 2.4 |
| TMSP 150.20 | 20x1.5 | 50 | 10 | 18 | 17.8 | 150 | 10 | 2.4 |
| TMSP 300.20 | 20x1.5 | 100 | 10 | 18 | 17.8 | 300 | 10 | 2.4 |
| TMSP 150.24 | 24x2.9 | 50 | 12 | 20 | 19.8 | 150 | 12 | 2.5 |
| TMSP 300.24 | 24x2.0 | 100 | 12 | 20 | 19.8 | 300 | 12 | 2.5 |

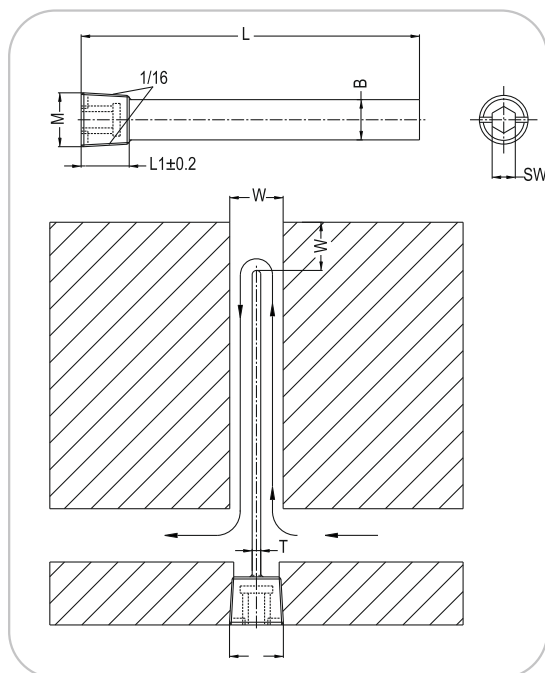
Straight Baffles
With BSPT / NPT Thread

Temperierelemente mit flachem
Teilungsblech (NPT / BSPT Gewinde)

Material : MS58 (Brass) - Messing



| BSPT Thread-Gewinde Order No/ Bestell Nr. | NPT Thread-Gewinde Order No/ Bestell Nr. | R | SW | W | B | L | L ₁ | T Blade Thickness |
|---|--|-------|----|------|------|-----|----------------|-------------------------|
| TBDP 100.08 | TNDP 100.08 | 1/16" | 4 | 6.5 | 6.2 | 104 | 8 | 1.6-1/16" |
| TBDP 200.08 | TNDP 200.08 | 1/16" | 4 | 6.5 | 6.2 | 204 | 8 | 1.6-1/16" |
| TBDP 100.10 | TNDP 100.10 | 1/8" | 5 | 8.5 | 8.2 | 104 | 8 | 1.6-1/16" |
| TBDP 200.10 | TNDP 200.10 | 1/8" | 5 | 8.5 | 8.2 | 204 | 8 | 1.6-1/16" |
| TBDP 125.13 | TNDP 125.13 | 1/4" | 7 | 11.5 | 11.2 | 131 | 10 | 2.4-3/32" |
| TBDP 250.13 | TNDP 250.13 | 1/4" | 7 | 11.5 | 11.2 | 258 | 10 | 2.4-3/32" |
| TBDP 150.17 | TNDP 150.17 | 3/8" | 8 | 15 | 14.2 | 156 | 10 | 2.4-3/32" |
| TBDP 300.17 | TNDP 300.17 | 3/8" | 8 | 15 | 14.2 | 309 | 10 | 2.4-3/32" |
| TBDP 200.21 | TNDP 200.21 | 1/2" | 10 | 18.5 | 18.2 | 207 | 10 | 2.4-3/32" |
| TBDP 400.21 | TNDP 400.21 | 1/2" | 10 | 18.5 | 18.2 | 410 | 10 | 2.4-3/32" |
| TBDP 300.26 | TNDP 300.26 | 3/4" | 12 | 23.5 | 23.2 | 309 | 12 | 3.2-1/8" |
| TBDP 500.26 | TNDP 500.26 | 3/4" | 12 | 23.5 | 23.2 | 512 | 12 | 3.2-1/8" |
| TBDP 400.33 | TNDP 400.33 | 1" | 17 | 28.5 | 28.2 | 410 | 12 | 3.2-1/8" |
| TBDP 600.33 | TNDP 600.33 | 1" | 17 | 28.5 | 28.2 | 614 | 12 | 3.2-1/8" |



Straight Baffles With M Conical Thread

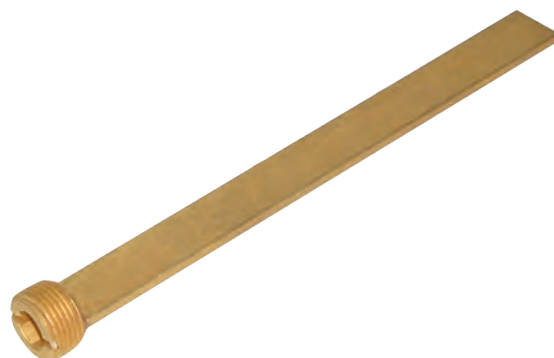
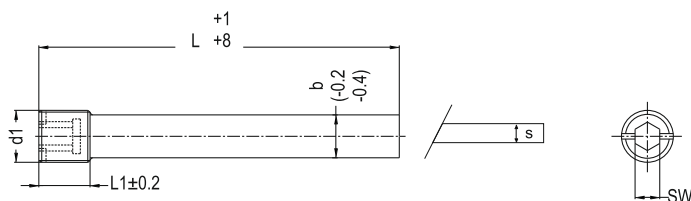
Material : MS58 (Brass) - Messing



| Matric Thread Order No/ Bestell Nr. | Konik Conical M | SW | W | B | L | L ₁ | T Blade Thickness |
|--|-----------------------|----|---|---|---|----------------|-------------------------|
|--|-----------------------|----|---|---|---|----------------|-------------------------|

| | | | | | | | |
|---------------------|--------|----|------|------|-----|----|-----|
| TMDPK 100.08 | 8x0.75 | 4 | 6 | 5.8 | 100 | 8 | 1.6 |
| TMDPK 200.08 | 8x0.75 | 4 | 6 | 5.8 | 200 | 8 | 1.6 |
| TMDPK 100.10 | 10x1.0 | 5 | 8 | 7.8 | 100 | 8 | 1.6 |
| TMDPK 125.10 | 10x1.0 | 5 | 8 | 7.8 | 125 | 8 | 1.6 |
| TMDPK 200.10 | 10x1.0 | 5 | 8 | 7.8 | 200 | 8 | 1.6 |
| TMDPK 250.10 | 10x1.0 | 5 | 8 | 7.8 | 250 | 8 | 1.6 |
| TMDPK 125.12 | 12x1.5 | 6 | 10 | 9.8 | 125 | 8 | 2.0 |
| TMDPK 250.12 | 12x1.5 | 6 | 10 | 9.8 | 250 | 8 | 2.0 |
| TMDPK 150.16 | 16x1.5 | 8 | 14 | 13.8 | 150 | 10 | 2.4 |
| TMDPK 300.16 | 16x1.5 | 8 | 14 | 13.8 | 300 | 10 | 2.4 |
| TMDPK 150.20 | 20x1.5 | 10 | 18 | 17.8 | 150 | 10 | 2.4 |
| TMDPK 300.20 | 20x1.5 | 10 | 18 | 17.8 | 300 | 10 | 2.4 |
| TMDPK 200.22 | 22x1.5 | 10 | 18.5 | 18.2 | 200 | 10 | 2.4 |
| TMDPK 300.22 | 22x1.5 | 10 | 18.5 | 18.2 | 000 | 10 | 2.4 |
| TMDPK 150.24 | 24x1.5 | 12 | 20 | 19.8 | 150 | 10 | 2.4 |
| TMDPK 300.24 | 24x1.5 | 12 | 20 | 19.8 | 300 | 10 | 2.4 |

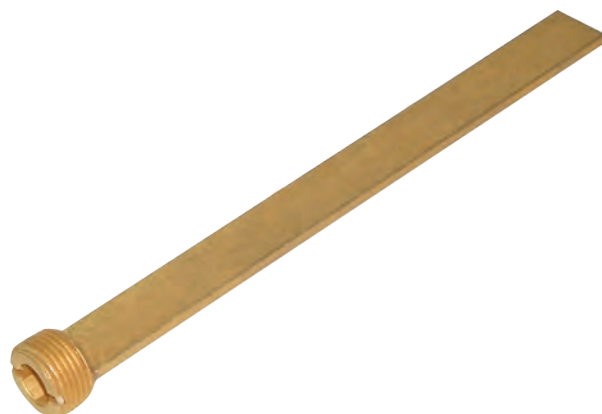
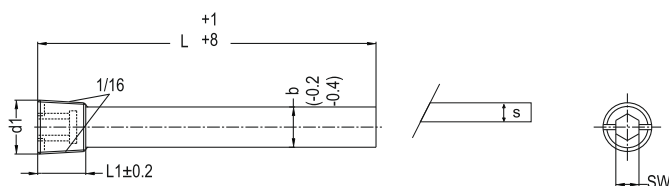
ACCESSORIES



Umlenblech - Zylindrisch Gewinde

| Order No/ Bestell Nr. | SW | L1 | b | s | d1 | L |
|-----------------------|----|----|----|-----|---------|-----|
| TZDPK100.08 | 4 | 8 | 6 | 1.6 | M8x0.75 | 100 |
| TZDPK200.08 | | | | | | 200 |
| TZDPK100.10 | 5 | 8 | 8 | 1.6 | M10x1 | 100 |
| TZDPK200.10 | | | | | | 200 |
| TZDPK125.12 | 6 | 8 | 10 | 2.4 | M12x1.5 | 125 |
| TZDPK250.12 | | | | | | 250 |
| TZDPK150.14 | 7 | 10 | 12 | 2.4 | M14x1.5 | 150 |
| TZDPK300.14 | | | | | | 300 |
| TZDPK150.16 | 8 | 10 | 14 | 2.4 | M16x1.5 | 150 |
| TZDPK300.18 | | | | | | 300 |
| TZDPK150.18 | 8 | 10 | 16 | 2.4 | M18x1.5 | 150 |
| TZDPK300.18 | | | | | | 300 |
| TZDPK150.20, | 10 | 10 | 18 | 2.4 | M20x1.5 | 150 |
| TZDPK300.20 | | | | | | 300 |
| TZDPK500.20 | | | | | | 500 |
| TZDPK150.24 | 12 | 10 | 20 | 2.4 | M24x2 | 150 |
| TZDPK300.24 | | | | | | 300 |

| Order No/ Bestell Nr. | SW | L1 | b | s | d1 | L |
|-----------------------|----|----|------|-----|-------|-----|
| TZDP100.10 | 5 | 8 | 8,5 | 1.6 | G1/8" | 100 |
| TZDP200.10 | | | | | | 200 |
| TZDP125.13 | 7 | 10 | 11.5 | 2.4 | G1/4" | 125 |
| TZDP250.13 | | | | | | 250 |
| TZDP150.17 | 8 | 10 | 15 | 2.4 | G3/8" | 150 |
| TZDP300.17 | | | | | | 300 |
| TZDP200.21 | 10 | 10 | 18.5 | 2.4 | G1/2" | 200 |
| TZDP400.21 | | | | | | 400 |
| TZDP300.26 | 12 | 12 | 23.5 | 3.2 | G3/4" | 300 |
| TZDP500.26 | | | | | | 500 |



Umlenblech - Konisches Gewinde

| Order No/ Bestell Nr. | SW | L1 | b | s | d1 | L |
|-----------------------|----|----|----|-----|---------|-----|
| TMDPK100.08 | 4 | 8 | 6 | 1.6 | M8x0.75 | 100 |
| TMDPK200.08 | | | | | | 200 |
| TMDPK100.10 | 5 | 8 | 8 | 1.6 | M10x1 | 100 |
| TMDPK200.10 | | | | | | 200 |
| TMDPK125.12 | 6 | 10 | 10 | 2.4 | M12x1.5 | 125 |
| TMDPK250.12 | | | | | | 250 |
| TMDPK150.14 | 7 | 10 | 12 | 2.4 | M14x1.5 | 150 |
| TMDPK300.14 | | | | | | 300 |
| TMDPK150.16 | 8 | 10 | 14 | 2.4 | M16x1.5 | 150 |
| TMDPK300.16 | | | | | | 300 |
| TMDPK150.20 | 10 | 10 | 18 | 2.4 | M20x1.5 | 150 |
| TMDPK300.20 | | | | | | 300 |
| TMDPK500.20, | | | | | | 500 |
| TMDPK150.24 | 12 | 10 | 20 | 2.4 | M24x2 | 150 |
| TMDPK300.24 | | | | | | 300 |

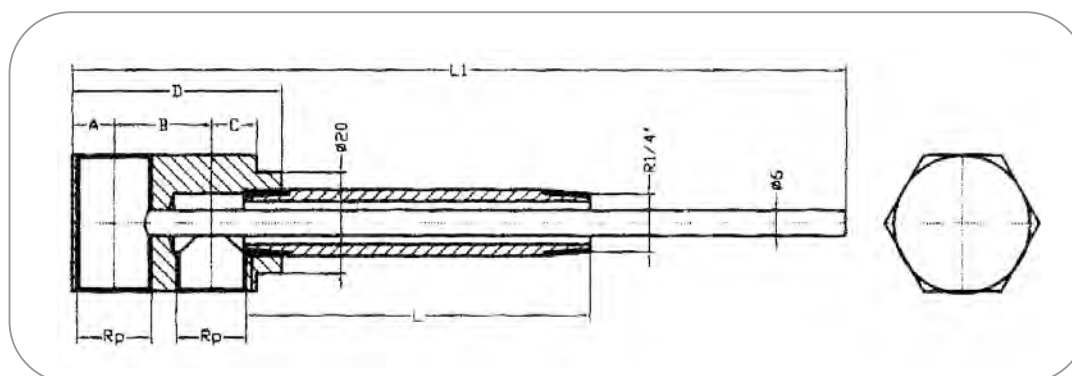
| Order No/ Bestell Nr. | SW | L1 | b | s | d1 | L |
|-----------------------|----|----|------|-----|-------|-----|
| TBDP100.10 | 5 | 8 | 8,5 | 1.6 | R1/8" | 100 |
| TBDP200.10 | | | | | | 200 |
| TBDP125.13 | 7 | 10 | 11.5 | 2.4 | R1/4" | 125 |
| TBDP250.13 | | | | | | 250 |
| TBDP150.17 | 8 | 10 | 15 | 2.4 | R3/8" | 150 |
| TBDP300.17 | | | | | | 300 |
| TBDP200.21 | 10 | 10 | 18.5 | 2.4 | R1/2" | 200 |
| TBDP400.21 | | | | | | 400 |
| TBDP300.26 | 12 | 12 | 23.5 | 3.2 | R3/4" | 300 |
| TBDP500.26 | | | | | | 500 |

ACCESSORIES

BVS / BLS Cascade

Kaskaden - Temperierelemente für Standardbohrungen

Material : MS58 (Brass) - Messing



Order No/ Bestell Nr.

Rp A B C D L₁ L

TBVS 10X50 1/8" 9 19 9 42 356 50

TBVS 10X100 1/8" 9 19 9 42 356 100

TBVS 10X150 1/8" 9 19 9 42 356 150

TBVS 10X200 1/8" 9 19 9 42 356 200

TBVS 13X50 1/4" 9 19 9 42 356 50

TBVS 13X100 1/4" 9 19 9 42 356 100

TBVS 13X150 1/4" 9 19 9 42 356 150

TBVS 13X200 1/4" 9 19 9 42 356 200

Order No/ Bestell Nr.

Rp A B C D L₁ L

TBLS 10X50 1/8" 9 26 12 54 362 50

TBLS 10X100 1/8" 9 26 2 54 362 100

TBLS 10X150 1/8" 9 26 12 54 362 150

TBLS 10X200 1/8" 9 26 12 54 362 200

TBLS 13X50 1/4" 9 26 12 54 362 50

TBLS 13X100 1/4" 9 26 12 54 362 100

TBLS 13X150 1/4" 9 26 12 54 362 150

TBLS 13X200 1/4" 9 26 12 54 362 200

ACCESSORIES

Water Flow Regulator Wasserbatterin

Main Technical Features

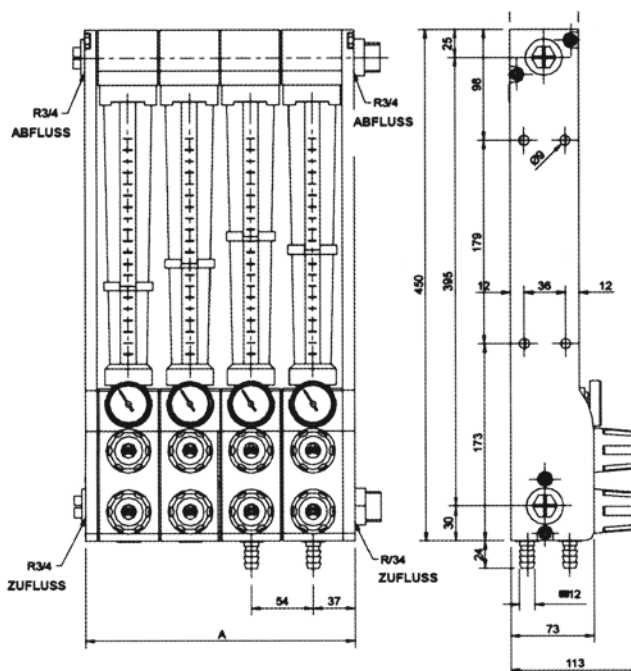
- Tube made of polyamide (satandart)
- Bodies made of PA 6 wit 30% fibergals
- Regulating taps in brass
- Thermameter (satandad)
- Vitrilic rubber or-rings in vitrilo (hardness 70 SHA)
- Brass intel and outlet valves are inserted in the body 3/8"
- Maximumu working temperature 90° C

Technische Spezifikationen

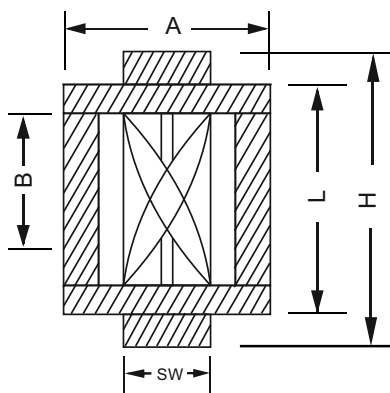
- Poliamisiertes Rohr (Standard)
- Körper mit PA 6 30% Fibreglas
- Der Regler ist Messing.
- Thermometer (Standard)
- Vityril Gummi O-Ringe (Härte 70 S-HA)
- Messing-Einlass- und Auslassventile sind in 3/8"
- Abmessungen am Körper angebracht.
- Max. Arbeitstemperatur 90°C



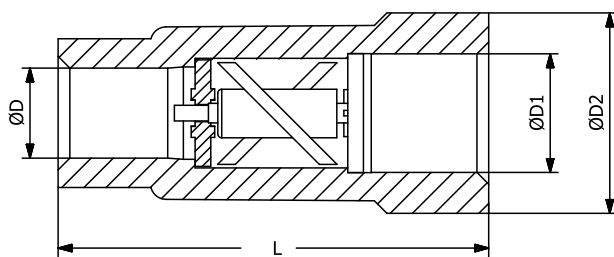
| Order No / Bestellnr. | | No of Entrance | A |
|-----------------------|-------------|----------------|-----|
| Male Type | Female Type | | |
| TFW 01-DU | TFW 01 - EU | 1 | 73 |
| TFW 02-DU | TFW 02 - EU | 2 | 126 |
| TFW 03-DU | TFW 03 - EU | 3 | 129 |
| TFW 04-DU | TFW 04 - EU | 4 | 231 |
| TFW 05-DU | TFW 05 - EU | 5 | 284 |
| TFW 06-DU | TFW 06 - EU | 6 | 339 |
| TFW 07-DU | TFW 07 - EU | 7 | 392 |
| TFW 08-DU | TFW 08 - EU | 8 | 444 |
| TFW 09-DU | TFW 09 - EU | 9 | 497 |
| TFW 10-DU | TFW 10 - EU | 10 | 552 |
| TFW 11-DU | TFW 11 - EU | 11 | 607 |
| TFW 12-DU | TFW 12 - EU | 12 | 659 |



Flowmeters Durchflussmesser



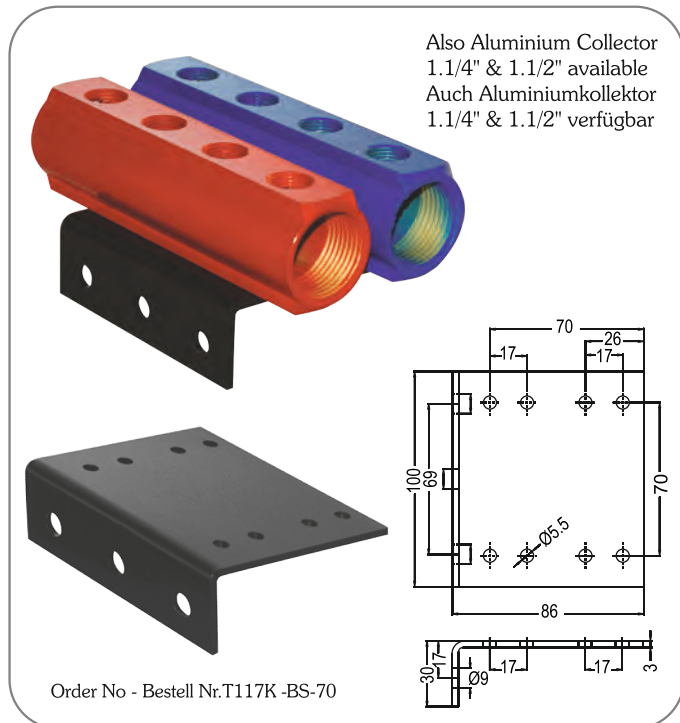
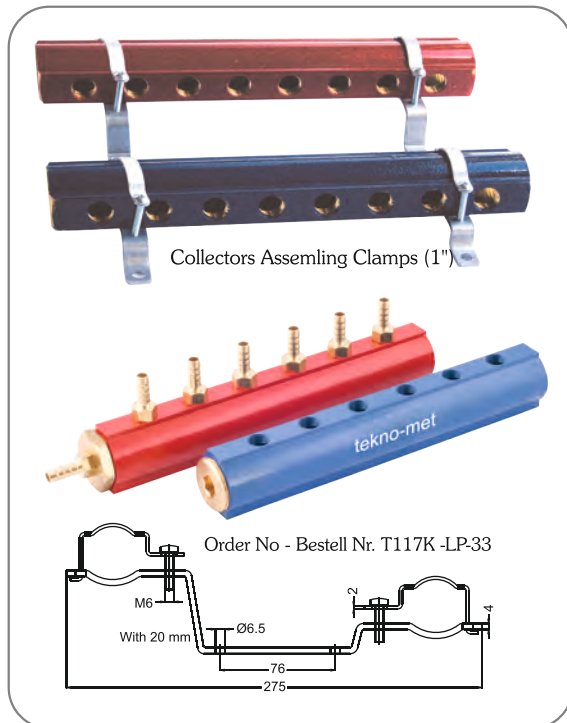
| Order No / Bestell Nr. | A | B | L | H | SW | Permeability Permeabilität |
|------------------------|----|----|----|----|----|-------------------------------|
| HDR55 3/8" | 60 | 36 | 58 | 92 | 28 | Full |
| HDR55 1/2" | 60 | 36 | 58 | 92 | 28 | Full |
| HDR55 1/1" | 70 | 46 | 76 | 92 | 46 | Full |



| Order No / Bestellnr. | ØD | ØD1 | ØD2 | L | SW | Geçirgenlik |
|-----------------------|------|-----|------|----|----|-------------|
| HDR55/13 1/4" | 11.5 | 15 | 25.5 | 55 | 19 | Full |



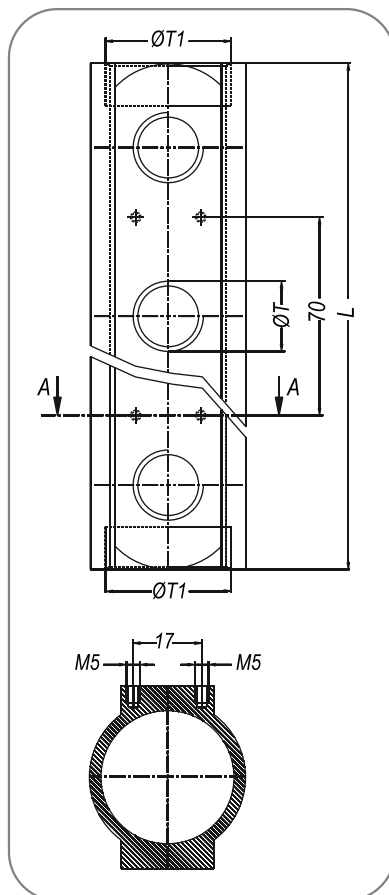
BRASS COLLECTORS / MESSING KOLLEKTOR

 $\text{ØT} = 1/4" \quad \text{ØT1} = 3/4"$

| No of exits G1/4" | Order No - Bestell Nr. | L |
|-------------------|------------------------|-----|
| 4 | T117K-04-13/26 | 155 |
| 5 | T117K-05-13/26 | 190 |
| 6 | T117K-06-13/26 | 225 |
| 8 | T117K-08-13/26 | 295 |
| 10 | T117K-10-13/26 | 365 |
| 12 | T117K-12-13/26 | 435 |

 $\text{ØT} = 3/8" \quad \text{ØT1} = 3/4"$

| No of exits G3/8" | Order No - Bestell Nr. | L |
|-------------------|------------------------|-----|
| 4 | T117K-04-17/26 | 155 |
| 5 | T117K-05-17/26 | 190 |
| 6 | T117K-06-17/26 | 225 |
| 8 | T117K-08-17/26 | 295 |
| 10 | T117K-10-17/26 | 365 |
| 12 | T117K-12-17/26 | 435 |

 $\text{ØT} = 3/8" \quad \text{ØT1} = 1"$

| No of exits G3/8" | Order No - Bestell Nr. | L |
|-------------------|------------------------|-----|
| 4 | T117K-04-17/33 | 165 |
| 5 | T117K-05-17/33 | 200 |
| 6 | T117K-06-17/33 | 235 |
| 8 | T117K-08-17/33 | 305 |
| 10 | T117K-10-17/33 | 375 |
| 12 | T117K-12-17/33 | 445 |

 $\text{ØT} = 1/2" \quad \text{ØT1} = 1"$

| No of exits G1/2" | Order No - Bestell Nr. | L |
|-------------------|------------------------|-----|
| 4 | T117K-04-21/33 | 210 |
| 5 | T117K-05-21/33 | 260 |
| 6 | T117K-06-21/33 | 310 |
| 8 | T117K-08-21/33 | 410 |
| 10 | T117K-10-21/33 | 510 |
| 12 | T117K-12-21/33 | 610 |

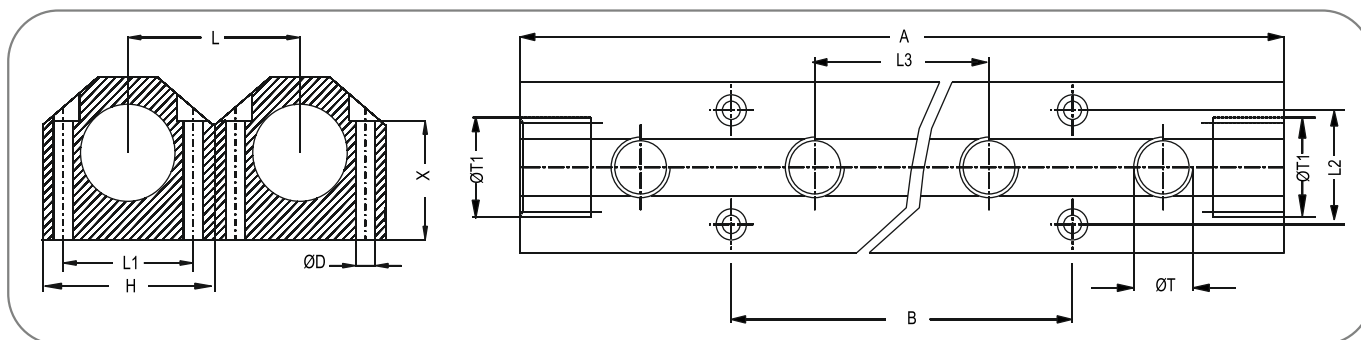
 $\text{ØT} = 3/8" \quad \text{ØT1} = 1.1/4"$

| No of exits G3/8" | Order No - Bestell Nr. | L |
|-------------------|------------------------|-----|
| 4 | T117K-04-17/42 | 196 |
| 6 | T117K-06-17/42 | 276 |
| 8 | T117K-08-17/42 | 356 |
| 10 | T117K-10-17/42 | 436 |
| 12 | T117K-12-17/42 | 516 |
| 16 | T117K-16-17/42 | 676 |

 $\text{ØT} = 1/2" \quad \text{ØT1} = 1.1/4"$

| No of exits G1/2" | Order No - Bestell Nr. | L |
|-------------------|------------------------|-----|
| 4 | T117K-04-21/42 | 226 |
| 6 | T117K-06-21/42 | 326 |
| 8 | T117K-08-21/42 | 426 |
| 10 | T117K-10-21/42 | 526 |
| 12 | T117K-12-21/42 | 626 |
| 16 | T117K-16-21/42 | 826 |

ALUMINIUM COLLECTORS / ALUMINIUM KOLLEKTOR



| Collector Size | ØD | L | L1 | X |
|----------------|-----|------|------|------|
| 3/4" | 4.5 | 40.8 | 33 | 30.6 |
| 1" | 6.5 | 53.6 | 41.5 | 36.5 |

| Inlet Thread | ØT1 Outlet Thread | No. of exits | A | B | L2 | L3 | H |
|--------------|-------------------|--------------|-----|-----|----|----|------|
| 3/4" | 1/4" | 2 | 74 | 0 | 35 | 31 | 44.5 |
| 3/4" | 1/4" | 4 | 132 | 62 | 35 | 31 | 44.5 |
| 3/4" | 1/4" | 6 | 194 | 124 | 35 | 31 | 44.5 |
| 3/4" | 1/4" | 8 | 256 | 186 | 35 | 31 | 44.5 |

| | | | | | | | |
|------|------|---|-----|-----|----|----|------|
| 3/4" | 3/8" | 2 | 90 | 0 | 35 | 31 | 44.5 |
| 3/4" | 3/8" | 4 | 165 | 80 | 35 | 31 | 44.5 |
| 3/4" | 3/8" | 6 | 245 | 160 | 35 | 31 | 44.5 |
| 3/4" | 3/8" | 8 | 325 | 240 | 35 | 31 | 44.5 |

| | | | | | | | |
|----|-----------|----|-----|-----|----|----|----|
| 1" | 1/4"-3/8" | 2 | 103 | 0 | 38 | 40 | 60 |
| 1" | 1/4"-3/8" | 4 | 183 | 80 | 38 | 40 | 60 |
| 1" | 1/4"-3/8" | 6 | 263 | 160 | 38 | 40 | 60 |
| 1" | 1/4"-3/8" | 8 | 343 | 240 | 38 | 40 | 60 |
| 1" | 1/4"-3/8" | 10 | 418 | 304 | 38 | 40 | 60 |
| 1" | 1/4"-3/8" | 12 | 494 | 380 | 38 | 40 | 60 |
| 1" | 1/4"-3/8" | 16 | 646 | 532 | 38 | 40 | 60 |

| | | | | | | | |
|----|------|----|-----|-----|----|----|----|
| 1" | 1/2" | 4 | 229 | 153 | 38 | 40 | 60 |
| 1" | 1/2" | 6 | 331 | 255 | 38 | 40 | 60 |
| 1" | 1/2" | 8 | 433 | 357 | 38 | 40 | 60 |
| 1" | 1/2" | 10 | 535 | 459 | 38 | 40 | 60 |
| 1" | 1/2" | 12 | 637 | 561 | 38 | 40 | 60 |

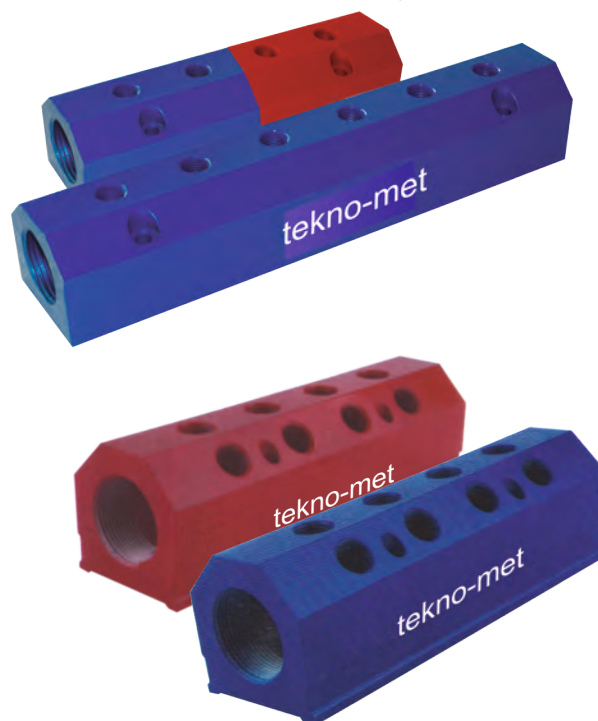
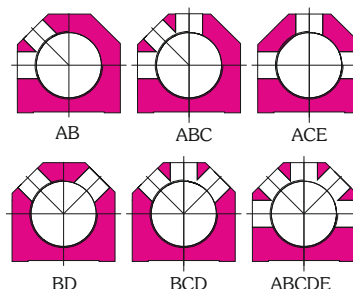
| | | | | | | | |
|--------|----------------|---|-----|-------|----|----|----|
| 1.1/4" | 1/4"-3/8"-1/2" | 2 | 152 | 0 | 57 | 51 | 76 |
| 1.1/4" | 1/4"-3/8"-1/2" | 4 | 254 | 101.6 | 57 | 51 | 76 |
| 1.1/4" | 1/4"-3/8"-1/2" | 6 | 355 | 203.2 | 57 | 51 | 76 |
| 1.1/4" | 1/4"-3/8"-1/2" | 8 | 457 | 304.8 | 57 | 51 | 76 |

| | | | | | | | |
|--------|-----------|---|-----|-------|----|----|----|
| 1.1/2" | 3/8"-1/2" | 2 | 152 | 0 | 57 | 51 | 76 |
| 1.1/2" | 3/8"-1/2" | 4 | 254 | 101.2 | 57 | 51 | 76 |
| 1.1/2" | 3/8"-1/2" | 6 | 355 | 203.6 | 57 | 51 | 76 |
| 1.1/2" | 3/8"-1/2" | 8 | 457 | 304.8 | 57 | 51 | 76 |

| | | | | | | | |
|----|----------------|---|-----|-----|------|------|----|
| 2" | 3/8"-1/2"-3/4" | 2 | 203 | 0 | 72.5 | 63.5 | 89 |
| 2" | 3/8"-1/2"-3/4" | 4 | 305 | 127 | 72.5 | 63.5 | 89 |
| 2" | 3/8"-1/2"-3/4" | 6 | 432 | 254 | 72.5 | 63.5 | 89 |
| 2" | 3/8"-1/2"-3/4" | 8 | 559 | 381 | 72.5 | 63.5 | 89 |

Example Code

| | | | | | | | |
|----------------|----------------|---------------------|-----------------------------|----------------------|--------------------------|-----------------------|--|
| T | 117 | KA | 02 | ABCDE | 13 | 33 | R,B R&B |
| Tekno-met code | Type Aluminium | Collector Aluminium | Hole surface on one surface | Hole surface (ABCDE) | Outlet Thread (BSP 1/4") | Inlet Thread (BSP 1") | Surface colour R (Red) B (Bleu) BR (Bleu & Red) |

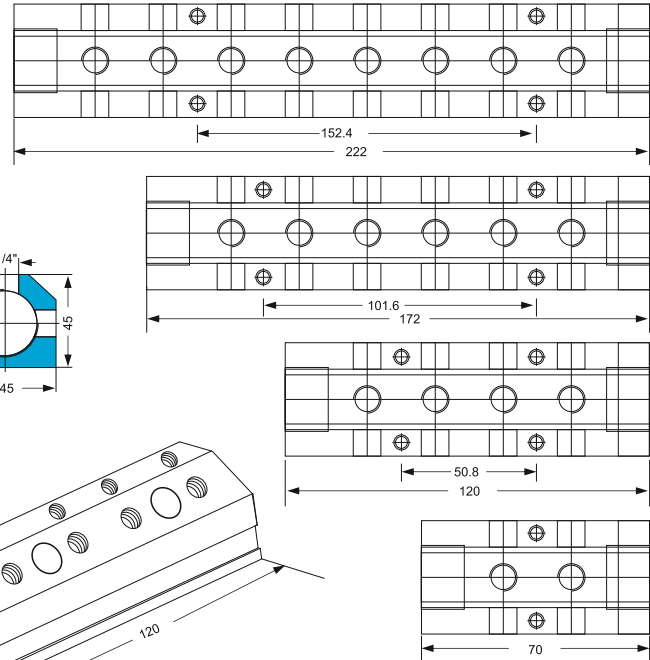
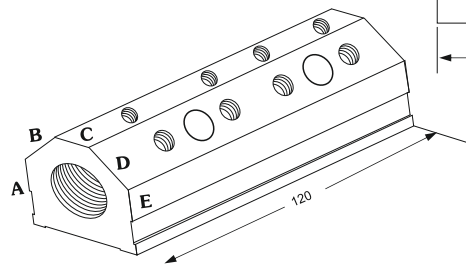
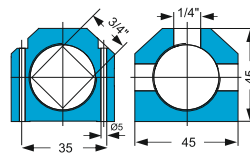
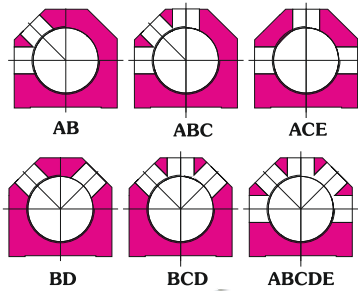


ALUMINIUM COLLECTORS / ALUMINIUM KOLLEKTOR

3/4" Aluminium Collectors

Example Code
T117AK

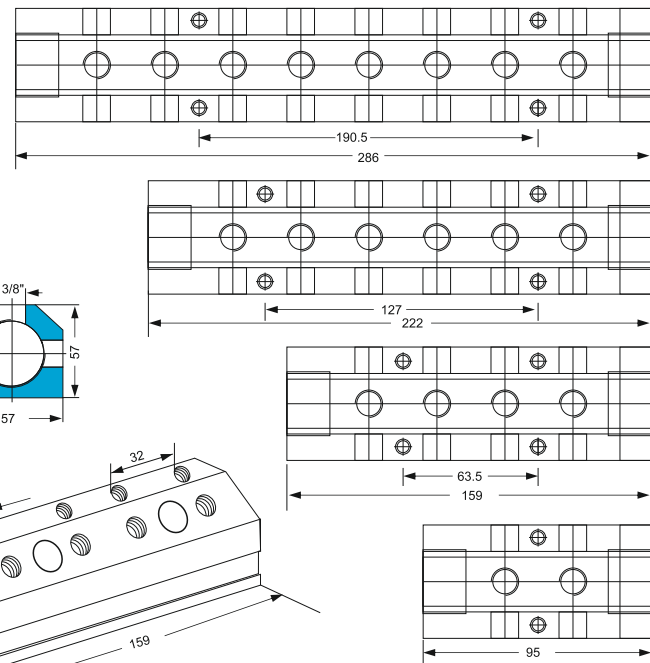
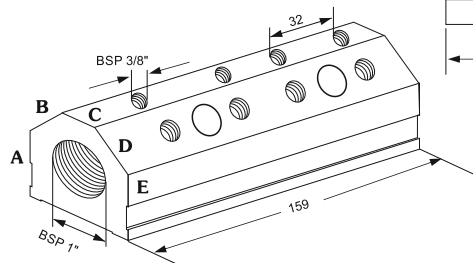
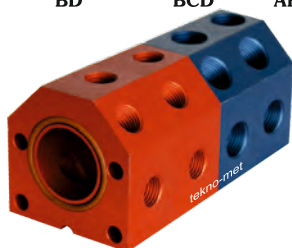
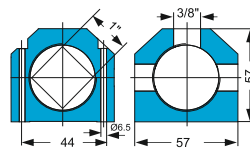
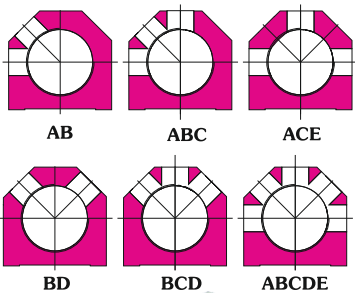
| | | | | | |
|------------------|----------|---------------------------------|------|--------------|------|
| 04 | ABC | N13 | 26 | 120 | M |
| Holes of surface | Existing | Surfaces the holes are existing | Port | Total Length | Bleu |

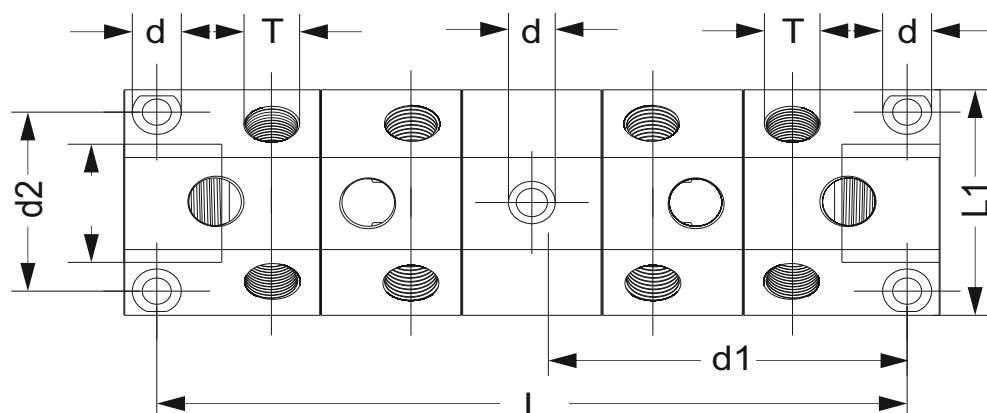
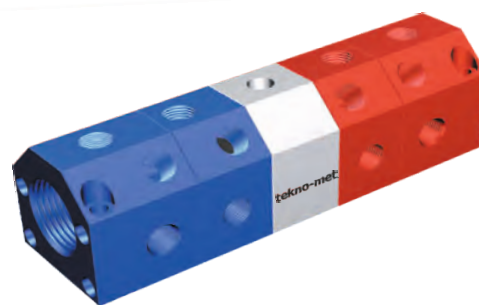
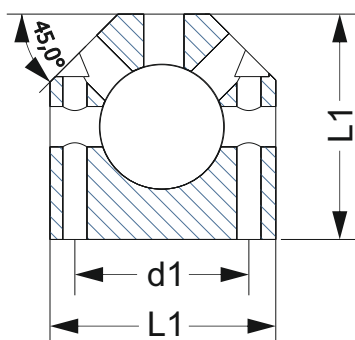
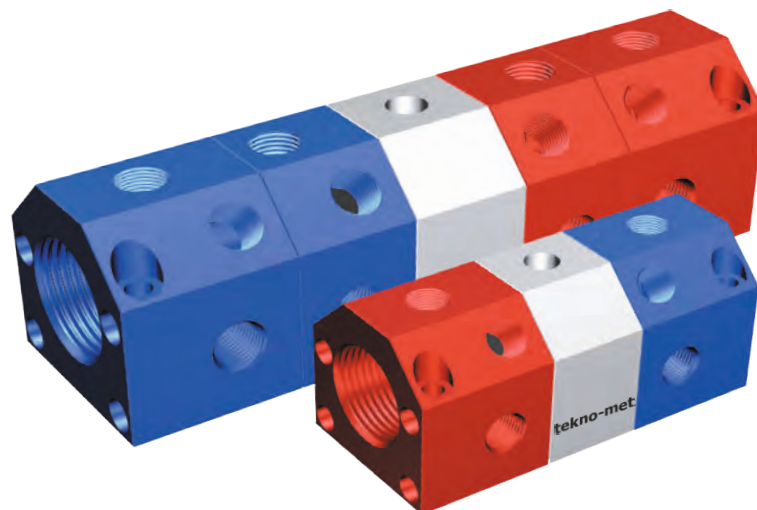


1" Aluminium Collectors

Example Code
T117AK

| | | | | | |
|------------------|----------|---------------------------------|------|--------------|------|
| 04 | ABC | N17 | 33 | 159 | M |
| Holes of surface | Existing | Surfaces the holes are existing | Port | Total Length | Bleu |





| Order No - Bestell Nr. | L | L1 | d | d1 | d2 | T | T1 | Circuit Schaltung | Circuit Schaltung |
|-------------------------|-----|----|---|-----|----|-----|----|----------------------|----------------------|
| T107 AK 13-33-10 | 186 | 57 | 7 | 85 | 41 | 1/4 | 1" | 5 | 5 |
| T107 AK 13-33-20 | 247 | 57 | 7 | 118 | 41 | 1/4 | 1" | 10 | 10 |
| T107 AK 13-33-30 | 310 | 57 | 7 | 147 | 41 | 1/4 | 1" | 15 | 15 |
| T107 AK 13-33-40 | 372 | 57 | 7 | 178 | 41 | 1/4 | 1" | 20 | 20 |



Water Hoses(Plock) Wasserschlauch (Plock)

| Order No Bestell Nr. | Internal Dia. | | Outside Dia mm | Max. Working Pressure at 20°C Bar | Bursting Pressure at 20°C Bar | Length Länge m. | Colour | |
|-------------------------|---------------|-------|-------------------|---|-------------------------------------|-----------------------|--------|------|
| | mm | Inch. | | | | | Blue | Blau |
| TWRH - 10B | 9.5 | 3/8 | 16.7 | 28 | 50 | 100 | Blue | Blau |
| TWRH - 10R | 9.5 | 3/8 | 16.7 | 28 | 50 | 100 | Red | Rot |
| TWRH - 13B | 12.7 | 1/2 | 21.4 | 28 | 50 | 100 | Blue | Blau |
| TWRH - 13R | 12.7 | 1/2 | 21.4 | 28 | 50 | 100 | Red | Rot |

Working Temperature Range- Betriebstemperatur

Static conditions- Statische Bedingungen : -20°C to + 120°C

Dynamic conditions- Dynamische Bedingungen : - 5°C to + 90°C

Structure

Medium pressure water hose with special mixture of powder rubber, kink resistant smooth outside and abrasion resistant.

Available in black, red, blue and yellow covers.

Eigenschaften

Es ist ein Wasserschlauch mit mittlerem Druck, der mit einer speziellen Mischung aus pulverförmigem Gummi hergestellt wird.

Auch gegen äußere Rissbildung und Abrieb beständig

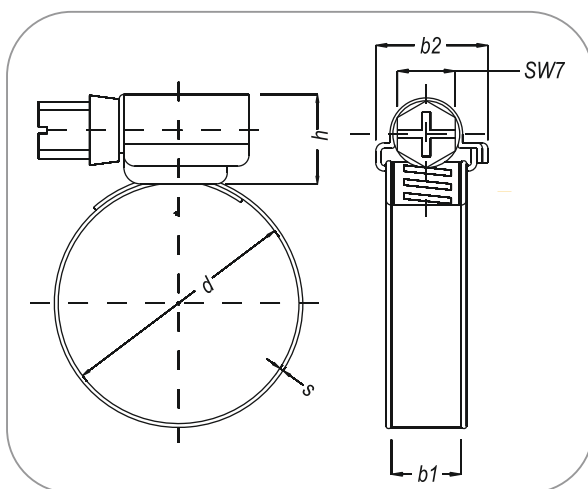
Es ist glatt.

Rote, blaue Kapfen sind verfügbar.

Please consult us for hoses in other colours

Bitte konsultieren Sie uns für Schläuche in anderen Farben.

WORM DRIVE CLAMPS WURM-ANTRIB KLEMME



| Order No Bestell Nr. | Hose Od Diam Schlauch od Daim | | b ₁ mm | b ₂ max.mm | S mm | h max.mm | AD Nm max | PD Nm max | Qty/Pack PD | Weight (Kg) |
|-------------------------|----------------------------------|---------------|----------------------|--------------------------|---------|-------------|--------------|--------------|----------------|----------------|
| | mm | Inch | | | | | | | | |
| TWD 12-16.25 | 16-25 | 5/8 - 1 | 120 | 200 | 0.7 | 120 | 5.0 | 65 | 500 | 9.3 |
| TWD 12-16.27 | 17-27 | 5/16 - 1.1/16 | 120 | 200 | 0.7 | 120 | 5.0 | 65 | 500 | 9.5 |
| TWD 12-20.32 | 20-32 | 3/4 - 1.1/4 | 120 | 200 | 0.7 | 120 | 5.0 | 65 | 500 | 10.0 |
| TWD 12-23.35 | 23-35 | 7/8 - 1.1/3 | 120 | 200 | 0.7 | 120 | 5.0 | 65 | 500 | 10.7 |
| TWD 12-25.40 | 25-40 | 1 - 1.1/8 | 120 | 200 | 0.7 | 120 | 5.0 | 65 | 500 | 11.2 |
| TWD 12-30.45 | 30-45 | 1.3/8 - 1.3/4 | 120 | 200 | 0.7 | 120 | 5.0 | 65 | 500 | 11.7 |
| TWD 12-32.50 | 32-50 | 1.1/4 - 2 | 120 | 200 | 0.7 | 120 | 5.0 | 65 | 500 | 12.2 |
| TWD 12-40.60 | 40-60 | 1.5/8 - 2.3/8 | 120 | 200 | 0.7 | 120 | 5.0 | 65 | 500 | 13.5 |
| TWD 12-50.70 | 50-70 | 2 - 2.3/4 | 120 | 200 | 0.7 | 120 | 5.0 | 65 | 500 | 14.6 |
| TWD 12-60.80 | 60-80 | 2.3/8 - 3.1/8 | 120 | 200 | 0.7 | 120 | 5.0 | 65 | 500 | 15.7 |
| TWD 12-70.90 | 70-90 | 2.3/4 - 3.1/4 | 120 | 200 | 0.7 | 120 | 5.0 | 65 | 250 | 13.6 |
| TWD 12-80.100 | 80-100 | 3.1/8 - 4 | 120 | 200 | 0.7 | 120 | 5.0 | 65 | 250 | 9.3 |
| TWD 12-90.110 | 90-110 | 3.1/2 - 4.3/8 | 120 | 200 | 0.7 | 120 | 5.0 | 65 | 250 | 9.9 |
| TWD 12-90.120 | 90-120 | 4 - 4.3/4 | 120 | 200 | 0.7 | 120 | 5.0 | 65 | 250 | 10.4 |
| TWD 12-110.130 | 110-130 | 4.3/8 - 5.1/8 | 120 | 200 | 0.7 | 120 | 5.0 | 65 | 250 | 8.9 |
| TWD 12-120.140 | 120-140 | 4.3/4 - 5.1/2 | 120 | 200 | 0.7 | 120 | 5.0 | 65 | 200 | 9.3 |
| TWD 12-130.150 | 130-150 | 4.1/8 - 5.7/8 | 120 | 200 | 0.7 | 120 | 5.0 | 65 | 200 | 9.8 |
| TWD 12-140.160 | 140-160 | 5.1/2 - 6.5/4 | 120 | 200 | 0.7 | 120 | 5.0 | 65 | 200 | 10.2 |
| TWD 12-150.170 | 150-170 | 5.7/8 - 6.1/8 | 120 | 200 | 0.7 | 120 | 5.0 | 65 | 200 | 10.6 |
| TWD 12-160.180 | 160-180 | 6.1/4 - 7 | 120 | 200 | 0.7 | 120 | 5.0 | 65 | 150 | 8.5 |
| TWD 12-170.190 | 170-190 | 6.5/8 - 7.3/8 | 120 | 200 | 0.7 | 120 | 5.0 | 65 | 100 | 8.8 |
| TWD 12-180.200 | 180-200 | 7 - 7.7/8 | 120 | 200 | 0.7 | 120 | 5.0 | 65 | 100 | 6.4 |

Worm Drive Clamps

- Production confirm to DIN 3017
- Band Widths are : 9 mm (WD 9)
- Embossed clamp band non-perforated
- Hexagon Sw7 with slotted screw head
- Large Clamping range

Klemmzange

- Standard 3017 DIN
- Bandbreiten sind diese. 9 mm (WD9)
- Nicht geprägtes Klemmband
- HaxoGen SW7 mit perforiertem Schraubenkopf
- Große Verdichtungsfläche

