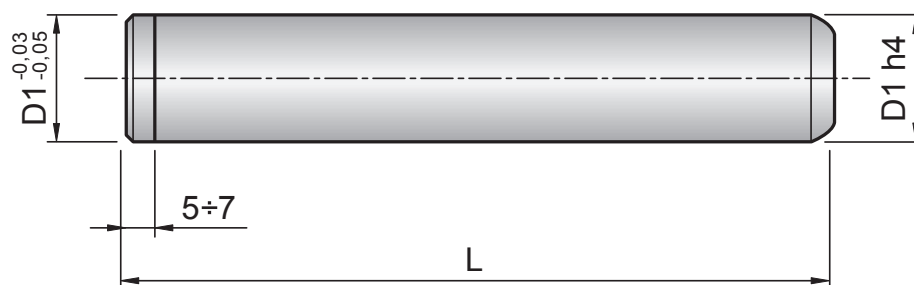


GUIDING ELEMENTS FOR DIE SETS ELEMENTY PROWADZĄCE DO TŁOCZNIKÓW





CIS

COLONNA LISCIA
STRAIGHT GUIDE PILLAR
FÜHRUNGSSÄULE

~ DIN 9825 / ISO 9182-2

Material: 1.7131 - Hardness: 61±63 HRC

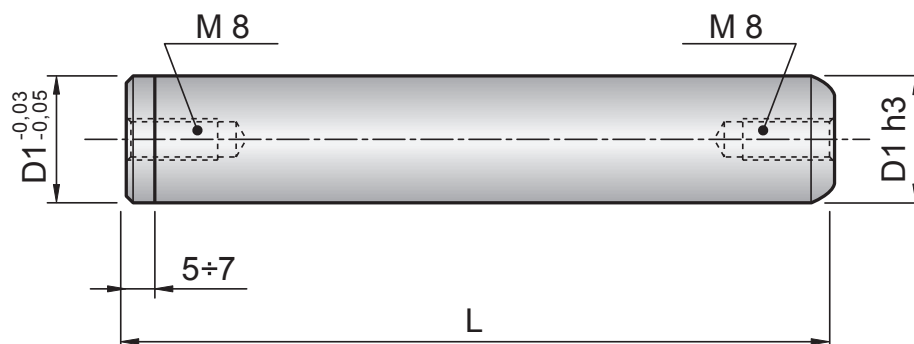
Code	D1	Code	D1	L	Code	D1	Code	D1	L
CIS1590	15	CIS1690	16	90	CIS24170	24	CIS25170	25	170
CIS15100		CIS16100		100	CIS24180		CIS25180		180
CIS15112		CIS16112		112	CIS24190		CIS25190		190
CIS15125		CIS16125		125	CIS24200		CIS25200		200
CIS15140		CIS16140		140	CIS24210		CIS25210		210
CIS15160		CIS16160		160	CIS24220		CIS25220		220
CIS15180		CIS16180		180	CIS24224		CIS25224		224
CIS15200		CIS16200		200	CIS24230		CIS25230		230
CIS15224		CIS16224		224	CIS24240		CIS25240		240
CIS15250		CIS16250		250	CIS24250		CIS25250		250
		CIS18120	18	120	CIS24260		CIS25260		260
		CIS18130		130	CIS24270		CIS25270		270
		CIS18140		140	CIS24280		CIS25280		280
		CIS18150		150	CIS24300		CIS25300		300
		CIS18160		160	CIS24315		CIS25315		315
		CIS18170		170	CIS24355		CIS25355		355
		CIS18180		180	CIS24400		CIS25400		400
		CIS18190		190	CIS24450		CIS25450		450
		CIS18200		200	CIS24500		CIS25500		500
CIS19100	19	CIS20100	20	100	CIS30125	30	CIS32125	32	125
CIS19112		CIS20112		112	CIS30140		CIS32140		140
CIS19120				120	CIS30150		CIS32150		150
CIS19125		CIS20125		125	CIS30160		CIS32160		160
CIS19130				130	CIS30170		CIS32170		170
CIS19140		CIS20140		140	CIS30180		CIS32180		180
CIS19150				150	CIS30190		CIS32190		190
CIS19160		CIS20160		160	CIS30200		CIS32200		200
CIS19170				170	CIS30210		CIS32210		210
CIS19180		CIS20180		180	CIS30220		CIS32220		220
CIS19190				190	CIS30224		CIS32224		224
CIS19200		CIS20200		200	CIS30230		CIS32230		230
CIS19224		CIS20224		224	CIS30240		CIS32240		240
CIS19250		CIS20250		250	CIS30250		CIS32250		250
CIS24125	24	CIS25125	25	125	CIS30260		CIS32260		260
CIS24140		CIS25140		140	CIS30270		CIS32270		270
CIS24150		CIS25150		150	CIS30280		CIS32280		280
CIS24160		CIS25160		160	CIS30300		CIS32300		300

COLONNA LISCIA
STRAIGHT GUIDE PILLAR
FÜHRUNGSSÄULE

~ DIN 9825 / ISO 9182-2

Material: 1.7131 - Hardness: 61-63 HRC

Code	D1	Code	D1	L	Code	D1	Code	D1	L	
CIS30315	30	CIS32315	32	315	CIS50220	50	CIS52220	52	220	
CIS30355		CIS32355		355	CIS50224		224			
CIS30400		CIS32400		400	CIS50230		CIS52230		230	
CIS30450		CIS32450		450	CIS50240		CIS52240		240	
CIS30500		CIS32500		500	CIS50250		CIS52250		250	
CIS38160	38	CIS40160	40	160	CIS50260	60	CIS52260	63	260	
		CIS40170		170	CIS50270		CIS52270		270	
CIS38180		CIS40180		180	CIS50280		CIS52280		280	
		CIS40190		190	CIS50300		CIS52300		300	
CIS38200		CIS40200		200	CIS50315				315	
		CIS40210		210	CIS50320		CIS52320		320	
		CIS40220		220	CIS50350		CIS52350		350	
CIS38224		CIS40224		224	CIS50355				355	
		CIS40230		230	CIS50400		CIS52400		400	
		CIS40240		240	CIS50450				450	
CIS38250		CIS40250		250	CIS50500				500	
		CIS40260		260			CIS63200		200	
		CIS40270		270			CIS63220		220	
CIS38280		CIS40280		280			CIS63240		240	
		CIS40300		300	CIS60250		CIS63250		250	
CIS38315	CIS40315	315		CIS63260	260					
	CIS40320	320	CIS60280	CIS63280	280					
	CIS40350	350		CIS63300	300					
CIS38355	CIS40355	355	CIS60315	CIS63315	315					
CIS38400	CIS40400	400		CIS63320	320					
CIS38450	CIS40450	450	CIS60355	CIS63355	355					
CIS38500	CIS40500	500		CIS63360	360					
	CIS42170	42	170	CIS60400	60	CIS63400	80	400		
	CIS42180		180	CIS60450		CIS63450		450		
	CIS42190		190	CIS60500		CIS63500		500		
	CIS42200		200			CIS80280		280		
	CIS42210		210			CIS80300		300		
	CIS42220		220			CIS80315		315		
	CIS42230		230			CIS80320		320		
	CIS42240		240			CIS80355		355		
	CIS42250		250			CIS80360		360		
	CIS42260		260			CIS80400		400		
	CIS42270		270			CIS80450		450		
	CIS42280		280			CIS80500		500		
	CIS42300		300			CIS80600		600		
	CIS42320		320			CIS80700		700		
	CIS42350		350			CIS80800		800		
	CIS42400	400								
	CIS48200	48	200							
	CIS48224		224							
	CIS48250		250							
	CIS48280		280							
	CIS48315		315							
	CIS48355		355							
	CIS48400		400							
	CIS48450		450							
	CIS48500	500								
CIS50180	50	CIS52180	52	180						
CIS50190		CIS52190		190						
CIS50200		CIS52200		200						
CIS50210		CIS52210		210						



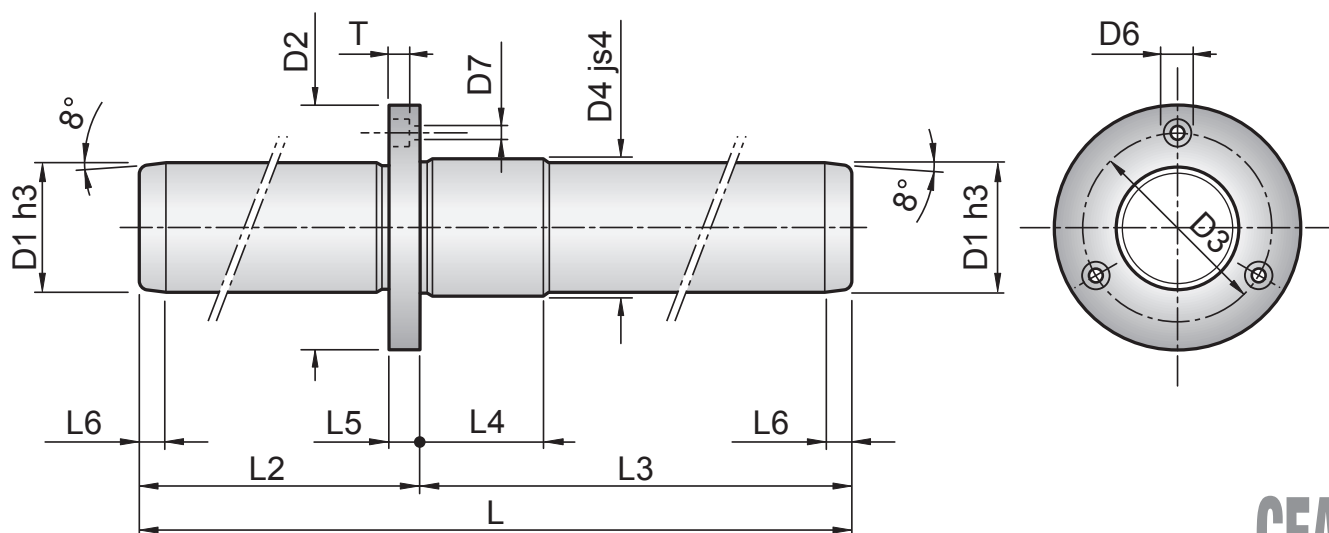
CIAF

COLONNA LISCIA FILETTATA
STRAIGHT GUIDE PILLAR WITH THREAD
FÜHRUNGSSÄULE INNENGEWINDE BEIDSEITIG

~ DIN 9825 / ~ ISO 9182-2

Material: 1.7131 - Hardness: 61÷63 HRC

Code	D1	Code	D1	L	Code	D1	Code	D1	L	Code	D1	Code	D1	L
CIAF1590	15	CIAF1690	16	90	CIAF30224	30	CIAF32224	32	224			CIAF80280	80	280
CIAF15100		CIAF16100		100	CIAF30250		CIAF32250		250			CIAF80315		315
CIAF15112		CIAF16112		112	CIAF30280		CIAF32280		280			CIAF80355		355
CIAF15125		CIAF16125		125	CIAF30315		CIAF32315		315			CIAF80400		400
CIAF15140		CIAF16140		140	CIAF30355		CIAF32355		355			CIAF80450		450
CIAF15160		CIAF16160		160	CIAF30400		CIAF32400		400			CIAF80500		500
CIAF15180		CIAF16180		180	CIAF30450		CIAF32450		450			CIAF80600		600
CIAF15200		CIAF16200		200	CIAF30500		CIAF32500		500			CIAF80700		700
CIAF15224		CIAF16224		224	CIAF38160	38	CIAF40160	40	160			CIAF80800		800
CIAF15250		CIAF16250		250	CIAF38180		CIAF40180		180					
CIAF19100	19	CIAF20100	20	100	CIAF38200		CIAF40200		200					
CIAF19112		CIAF20112		112	CIAF38224		CIAF40224		224					
CIAF19125		CIAF20125		125	CIAF38250		CIAF40250		250					
CIAF19140		CIAF20140		140	CIAF38280		CIAF40280		280					
CIAF19160		CIAF20160		160	CIAF38315		CIAF40315		315					
CIAF19180		CIAF20180		180	CIAF38355		CIAF40355		355					
CIAF19200		CIAF20200		200	CIAF38400		CIAF40400		400					
CIAF19224		CIAF20224		224	CIAF38450		CIAF40450		450					
CIAF19250		CIAF20250		250	CIAF38500		CIAF40500		500					
CIAF24125	24	CIAF25125	25	125	CIAF48200	48	CIAF50200	50	200					
CIAF24140		CIAF25140		140	CIAF48224		CIAF50224		224					
CIAF24160		CIAF25160		160	CIAF48250		CIAF50250		250					
CIAF24180		CIAF25180		180	CIAF48280		CIAF50280		280					
CIAF24200		CIAF25200		200	CIAF48315		CIAF50315		315					
CIAF24224		CIAF25224		224	CIAF48355		CIAF50355		355					
CIAF24250		CIAF25250		250	CIAF48400		CIAF50400		400					
CIAF24280		CIAF25280		280	CIAF48450		CIAF50450		450					
CIAF24315		CIAF25315		315	CIAF48500		CIAF50500		500					
CIAF24355		CIAF25355		355	CIAF60250	60	CIAF63250	63	250					
CIAF24400		CIAF25400		400	CIAF60280		CIAF63280		280					
CIAF24450		CIAF25450		450	CIAF60315		CIAF63315		315					
CIAF24500		CIAF25500		500	CIAF60355		CIAF63355		355					
CIAF30125	30	CIAF32125	32	125	CIAF60400		CIAF63400		400					
CIAF30140		CIAF32140		140	CIAF60450		CIAF63450		450					
CIAF30160		CIAF32160		160	CIAF60500		CIAF63500		500					
CIAF30180		CIAF32180		180										
CIAF30200		CIAF32200		200										

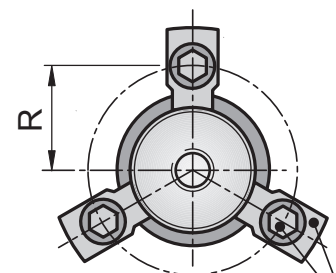
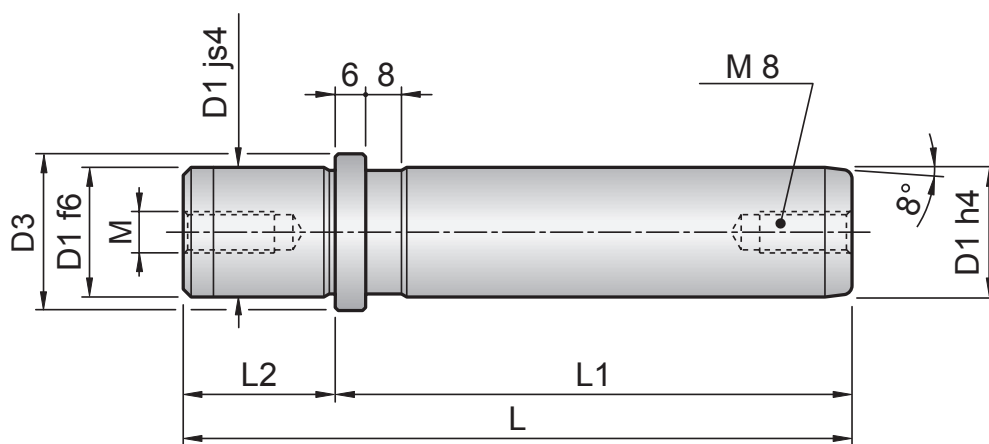


CEAS

COLONNA CON FLANGIA
STRIPPER MOUNTED PILLAR
MITTENBUNDSÄULE

Material: 1.7131 - Hardness: 61÷63 HRC

Code	D1	L2	L3	L	D2	D3	D4	D6	D7	L4	L5	L6	T
CEAS197090	19	70	90	160	42	32	22	8	4,5	20	8	4	4,6
CEAS1970100			100	170									
CEAS1980100		80	100	180									
CEAS1980110			110	190									
CEAS1990110		90	110	200									
CEAS19100110		100	110	210									
CEAS2580100	25	80	100	180	48	38	26	8	4,5	22	8	6	4,6
CEAS2580110			110	190									
CEAS2590110		90	110	200									
CEAS2590120			120	210									
CEAS25100120		100	120	220									
CEAS25110120		110	120	230									
CEAS3280100	32	80	100	180	60	48	34	10	5,5	25	10	7	5,7
CEAS3280110			110	190									
CEAS3290110		90	110	200									
CEAS3290120			120	210									
CEAS32100120		100	120	220									
CEAS32100130			130	230									
CEAS32110130	110	130	240										
CEAS32110140		140	250										
CEAS4090110	40	90	110	200	70	56	42	11	6,6	27	12	7	6,8
CEAS4090120			120	210									
CEAS40100120		100	120	220									
CEAS40100130			130	230									
CEAS40110130		110	130	240									
CEAS40110140			140	250									
CEAS40120140	120	140	260										



S 6 ISO + V6
(a richiesta / on request / auf Anfrage)
D1 < 38 con / with / mit 3
D1 ≥ 38 con / with / mit 4

CEA

COLONNA ESTRAIBILE
DEMOUNTABLE GUIDE PILLAR
FÜHRUNGSSÄULE MIT BUND

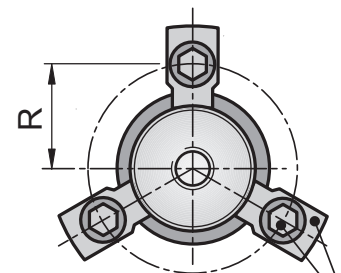
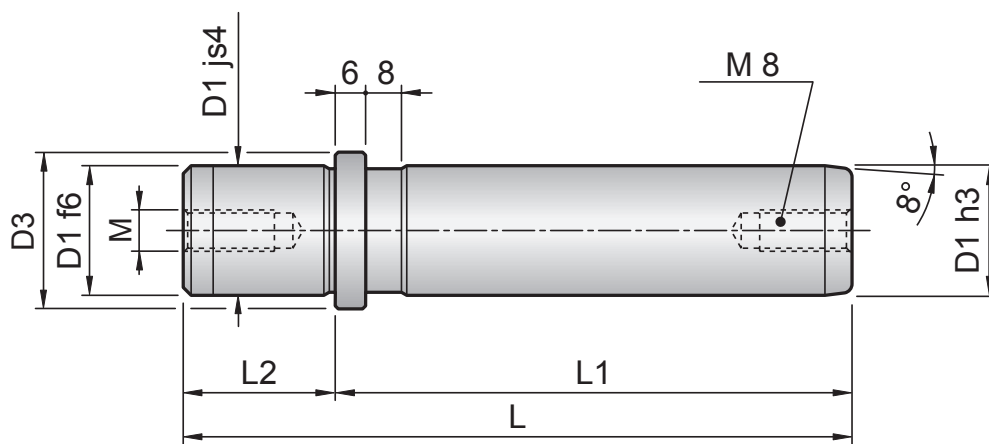
Material: 1.7131 - Hardness: 61-63 HRC

Code	D1	Code	D1	L1	L2	D3	M	R
CEA19100	19	CEA20100	20	100	23	25	M8	18
CEA19112		CEA20112		112				
CEA19125		CEA20125		125				
CEA19140		CEA20140		140				
CEA19160		CEA20160		160				
CEA19180		CEA20180		180				
CEA19200		CEA20200		200				
CEA24100	24	CEA25100	25	100	30	32	M8	21,5
CEA24112		CEA25112		112				
CEA24125		CEA25125		125				
CEA24140		CEA25140		140				
CEA24160		CEA25160		160				
CEA24180		CEA25180		180				
CEA24200		CEA25200		200				
CEA24224		CEA25224		224				
CEA24250		CEA25250		250				
CEA30112	30	CEA32112	32	112	37	40	M8	25,5
CEA30125		CEA32125		125				
CEA30140		CEA32140		140				
CEA30160		CEA32160		160				
CEA30180		CEA32180		180				
CEA30200		CEA32200		200				
CEA30224		CEA32224		224				
CEA30250		CEA32250		250				
CEA30280		CEA32280		280				
CEA30315		CEA32315		315				
CEA38125	38	CEA40125	40	125	37	50	M8	30,5
CEA38140		CEA40140		140				
CEA38160		CEA40160		160				
CEA38180		CEA40180		180				
CEA38200		CEA40200		200				
CEA38224		CEA40224		224				
CEA38250		CEA40250		250				
CEA38280		CEA40280		280				
CEA38315		CEA40315		315				
CEA38355		CEA40355		355				

COLONNA ESTRAIBILE
DEMOUNTABLE GUIDE PILLAR
FÜHRUNGSSÄULE MIT BUND

Material: 1.7131 - Hardness: 61÷63 HRC

Code	D1	Code	D1	L1	L2	D3	M	R							
CEA48140	48	CEA50140	50	140	47	63	M8	37							
CEA48160		CEA50160		160											
CEA48180		CEA50180		180											
CEA48200		CEA50200		200											
CEA48224		CEA50224		224											
CEA48250		CEA50250		250											
CEA48280		CEA50280		280											
CEA48315		CEA50315		315											
CEA48355		CEA50355		355											
CEA48400		CEA50400		400											
CEA60160		60		CEA63160					63	160	47	80	M8	45,5	
CEA60180				CEA63180						180					
CEA60200				CEA63200						200					
CEA60224				CEA63224						224					
CEA60250	CEA63250		250												
CEA60280	CEA63280		280												
CEA60315	CEA63315		315												
CEA60355	CEA63355		355												
CEA60400	CEA63400		400												
	CEA80200		80	200	60	95	M12	53							
	CEA80224	224													
	CEA80250	250													
	CEA80280	280													
	CEA80315	315													
	CEA80355	355													
	CEA80400	400													



S 6 ISO + V6
(a richiesta / on request / auf Anfrage)
D1 < 38 con / with / mit 3
D1 ≥ 38 con / with / mit 4

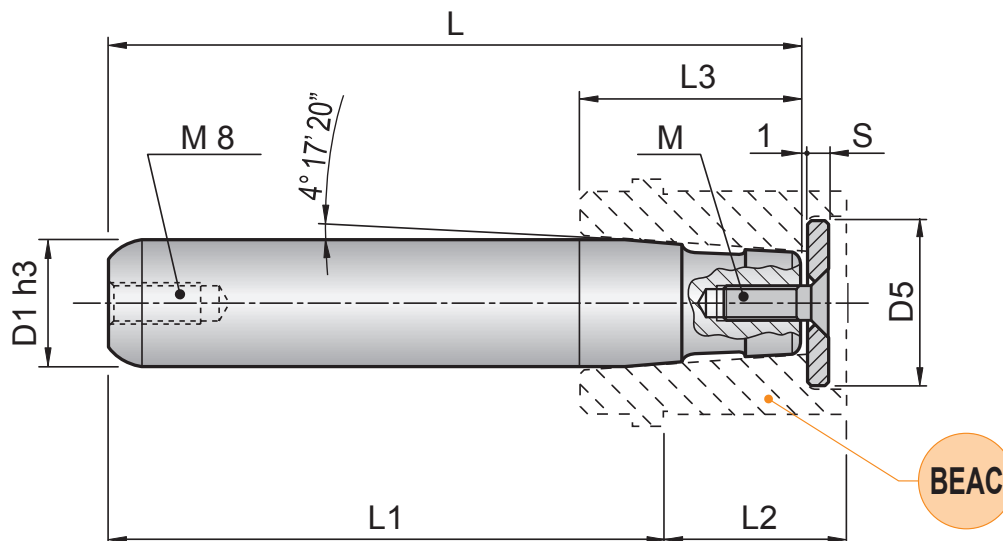
CEAQ

DIN 9825 / ~ ISO 9182-5

COLONNA ESTRAIBILE
DEMOUNTABLE GUIDE PILLAR
FÜHRUNGSSÄULE MIT BUND

Material: 1.7131 - Hardness: 61÷63 HRC

Code	D1	Code	D1	L1	L2	D3	M	R
CEAQ15100	15	CEAQ16100	16	100	20	22	M8	16,5
CEAQ15112		CEAQ16112		112				
CEAQ15125		CEAQ16125		125				
CEAQ15140		CEAQ16140		140				
CEAQ15160		CEAQ16160		160				
CEAQ15180		CEAQ16180		180				
CEAQ15200		CEAQ16200		200				
CEAQ19100	19	CEAQ20100	20	100	23	25	M8	18
CEAQ19112		CEAQ20112		112				
CEAQ19125		CEAQ20125		125				
CEAQ19140		CEAQ20140		140				
CEAQ19160		CEAQ20160		160				
CEAQ19180		CEAQ20180		180				
CEAQ19200		CEAQ20200		200				
CEAQ24100	24	CEAQ25100	25	100	30	32	M8	21,5
CEAQ24112		CEAQ25112		112				
CEAQ24125		CEAQ25125		125				
CEAQ24140		CEAQ25140		140				
CEAQ24160		CEAQ25160		160				
CEAQ24180		CEAQ25180		180				
CEAQ24200		CEAQ25200		200				
CEAQ24224		CEAQ25224		224				
CEAQ24250		CEAQ25250		250				
CEAQ30112	30	CEAQ32112	32	112	37	40	M8	25,5
CEAQ30125		CEAQ32125		125				
CEAQ30140		CEAQ32140		140				
CEAQ30160		CEAQ32160		160				
CEAQ30180		CEAQ32180		180				
CEAQ30200		CEAQ32200		200				
CEAQ30224		CEAQ32224		224				
CEAQ30250		CEAQ32250		250				
CEAQ30280		CEAQ32280		280				
CEAQ30315		CEAQ32315		315				
CEAQ38125	38	CEAQ40125	40	125	37	50	M8	30,5
CEAQ38140		CEAQ40140		140				
CEAQ38160		CEAQ40160		160				



COLONNA CONICA (completa di Rondella e Vite)
DEMOUNTABLE CONICAL PILLAR (with Washer and Screw)
FÜHRUNGSSÄULE MIT KONISCHEM SCHAFT (mit Scheibe und Schraube)

C5A

DIN 9825 / ISO 9182-4

Material: 1.7131 - Hardness: 61÷63 HRC

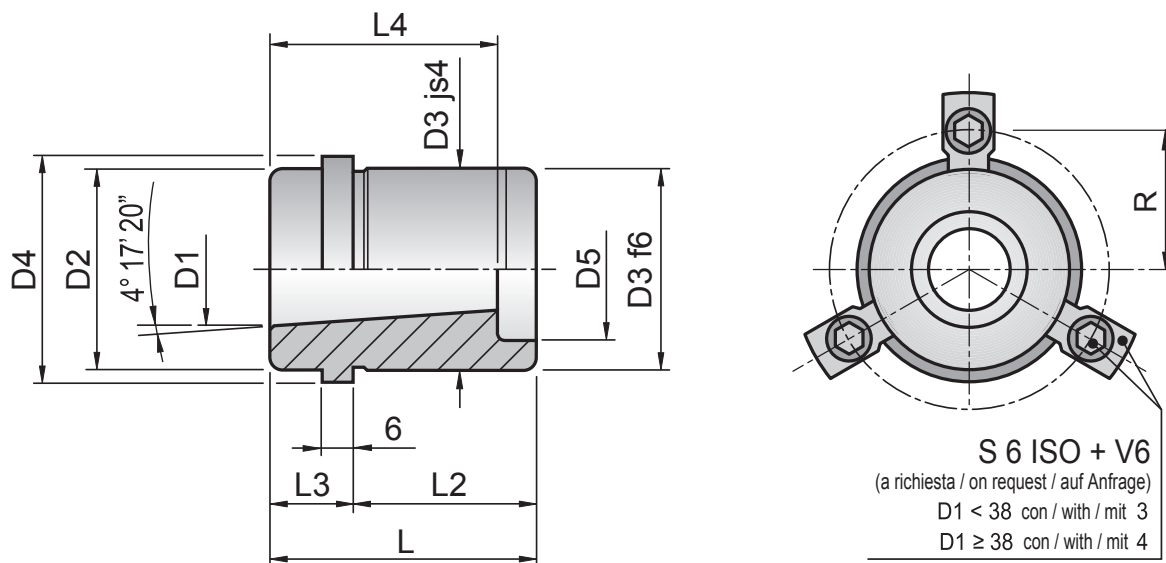
Code	D1	Code	D1	L1	L3	L	M	S	D5
C5A24100	24	C5A25100	25	100	35	123	M 8x20	3	25
C5A24112		C5A25112		112		135			
C5A24125		C5A25125		125		148			
C5A24140		C5A25140		140		163			
C5A24160		C5A25160		160		183			
C5A24180		C5A25180		180		203			
C5A24200		C5A25200		200		223			
C5A24224		C5A25224		224		247			
C5A24250		C5A25250		250		273			
C5A30112	30	C5A32112	32	112	48	145	M 8x20	3	32
C5A30125		C5A32125		125		158			
C5A30140		C5A32140		140		173			
C5A30160		C5A32160		160		193			
C5A30180		C5A32180		180		213			
C5A30200		C5A32200		200		233			
C5A30224		C5A32224		224		257			
C5A30250		C5A32250		250		283			
C5A30280		C5A32280		280		313			
C5A38125	38	C5A40125	40	125	48	158	M 8x20	5	40
C5A38140		C5A40140		140		173			
C5A38160		C5A40160		160		193			
C5A38180		C5A40180		180		213			
C5A38200		C5A40200		200		233			
C5A38224		C5A40224		224		257			
C5A38250		C5A40250		250		283			
C5A38280		C5A40280		280		313			
C5A38315		C5A40315		315		348			

COLONNA CONICA (completa di Rondella e Vite)
DEMOUNTABLE CONICAL PILLAR (with Washer and Screw)
FÜHRUNGSSÄULE MIT KONISCHEM SCHAFT (mit Scheibe und Schraube)

DIN 9825 / ISO 9182-4

Material: 1.7131 - Hardness: 61÷63 HRC

Code	D1	Code	D1	L1	L3	L	M	S	D5
C5A48140	48	C5A50140	50	140	58	180	M 10x20	5	50
C5A48160		C5A50160		160		200			
C5A48180		C5A50180		180		220			
C5A48200		C5A50200		200		240			
C5A48224		C5A50224		224		264			
C5A48250		C5A50250		250		290			
C5A48280		C5A50280		280		320			
C5A48315		C5A50315		315		355			
C5A48355		C5A50355		355		395			
C5A60160		60		C5A63160		63			
C5A60180	C5A63180		180	231					
C5A60200	C5A63200		200	251					
C5A60224	C5A63224		224	275					
C5A60250	C5A63250		250	301					
C5A60280	C5A63280		280	331					
C5A60315	C5A63315		315	366					
C5A60355	C5A63355		355	406					



BEAC

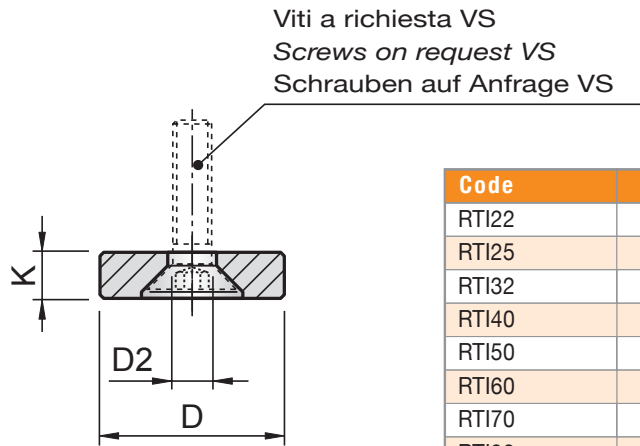
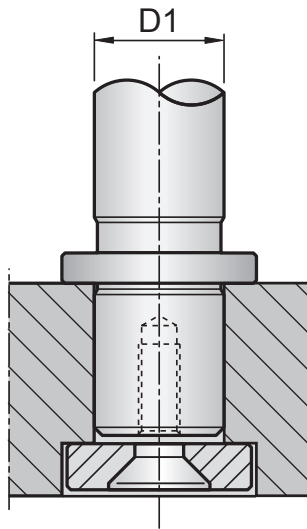
BUSSOLA CONICA
DEMOUNTABLE CONICAL BUSH
HALTEBUCHSE FÜR KONISCHE FÜHRUNGSSÄULE C5A

DIN 9825 / ISO 9182-4

Material: 1.7131 - Hardness: 61÷63 HRC

Code	D1	L	D2	D3	D4	D5	R	L2	L3	L4	Code	D1	L	D2	D3	D4	D5	R	L2	L3	L4
BEAC2437	24	49	40	40	48	26	30	37	12	36	BEAC4047	40	62	58	58	66	41	38,5	47	15	49
BEAC2447	24	59	40	40	48	26	30	47	12	36	BEAC4060	40	75	58	58	66	41	38,5	60	15	49
BEAC2537	25	49	40	40	48	26	30	37	12	36	BEAC4847	48	65	70	70	80	51	45,5	47	18	59
BEAC2547	25	59	40	40	48	26	30	47	12	36	BEAC4860	48	78	70	70	80	51	45,5	60	18	59
BEAC3037	30	52	48	48	56	33	33,5	37	15	49	BEAC5047	50	65	70	70	80	51	45,5	47	18	59
BEAC3047	30	62	48	48	56	33	33,5	47	15	49	BEAC5060	50	78	70	70	80	51	45,5	60	18	59
BEAC3237	32	52	48	48	56	33	33,5	37	15	49	BEAC6060	60	78	85	85	95	64	53	60	18	70
BEAC3247	32	62	48	48	56	33	33,5	47	15	49	BEAC6077	60	95	85	85	95	64	53	77	18	70
BEAC3847	38	62	58	58	66	41	38,5	47	15	49	BEAC6360	63	78	85	85	95	64	53	60	18	70
BEAC3860	38	75	58	58	66	41	38,5	60	15	49	BEAC6377	63	95	85	85	95	64	53	77	18	70

Staffette e viti a richiesta / Clamps and screws on request / Haltestücke und Schrauben auf Anfrage



RTI

Material: 1.1730

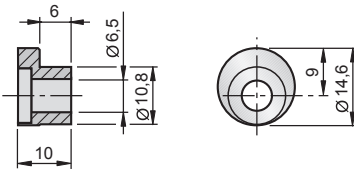
Code	D1	D	K	D2
RTI22	15-16	22	6	8,5
RTI25	19-20	25	6	8,5
RTI32	24-25	32	6	8,5
RTI40	30-32	40	6	8,5
RTI50	38-40	50	6	8,5
RTI60	48-50	60	6	8,5
RTI70	60-63	70	6	8,5
RTI93	80	93	12	12,5

RONDELLA PER COLONNA CEA / CEAQ
WASHER FOR PILLAR CEA / CEAQ
HALTESCHEIBE CEA / CEAQ

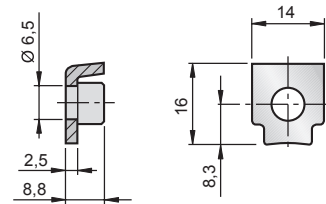
STAFFETTE DI RITEGNO
RETAINING CLAMPS
HALTESTÜCKE

S

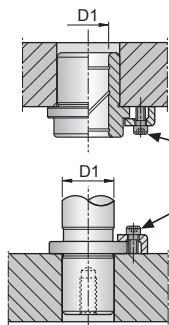
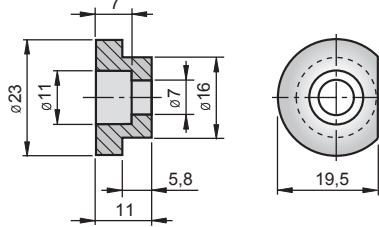
S 5270



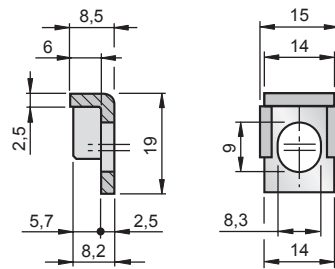
S 6 ISO



S 23 ISO

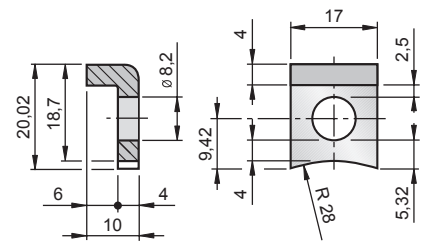


S 8 ISO



S 8 P ISO

Staffetta Pesante ISO
Stronger Retaining Clamps ISO
Haltestücke in schwerer Ausführung ISO



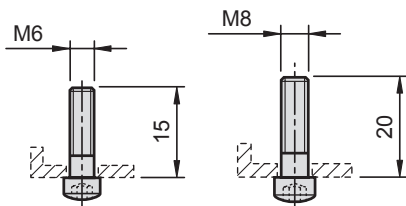
Viti a richiesta / Screws on request / Schrauben auf Anfrage

VITI PER STAFFETTE
SCREWS FOR CLAMPS
SCHRAUBE

V

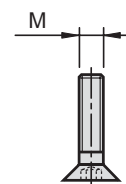
VITI PER RONDELLA
SCREWS FOR WASHERS
SCHRAUBE FÜR HALTESCHEIBE

VS



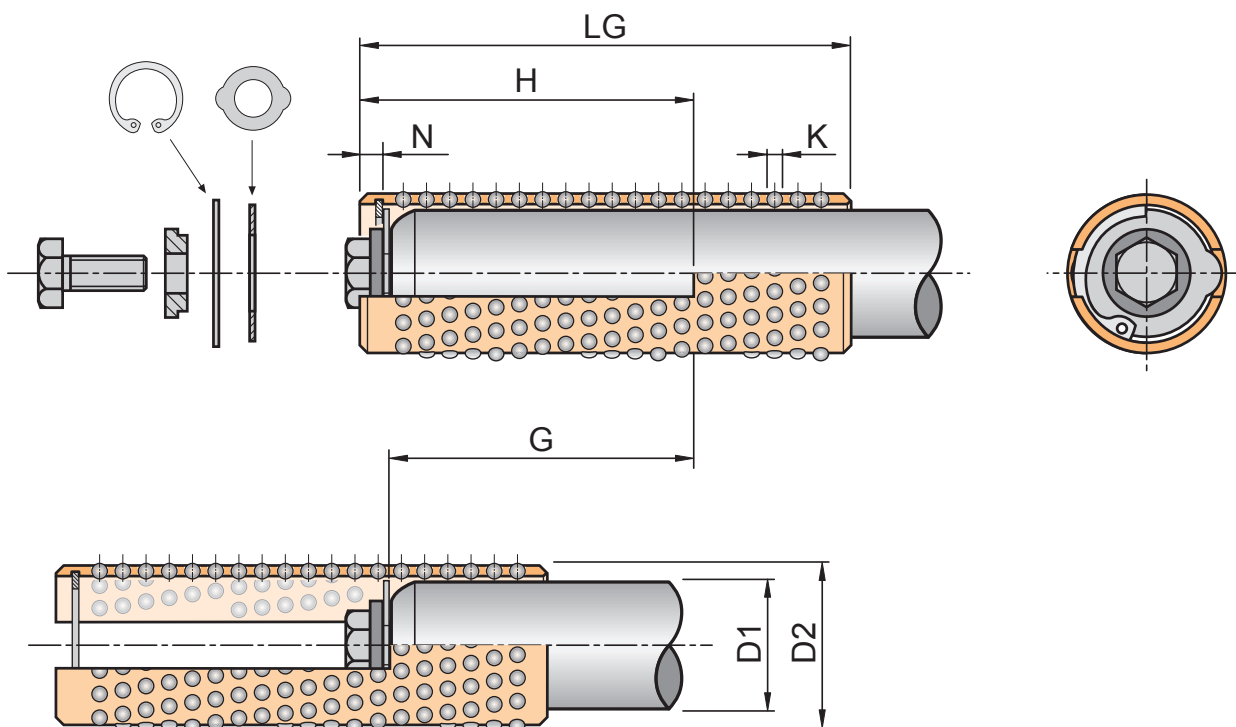
ISO 7380

Code	M
V615	M 6 x 15
V820	M 8 x 20



DIN 7991 / ISO 10642

Code	M
VS820	M 8 x 20
VS1020	M 10 x 20
VS1230	M 12 x 30

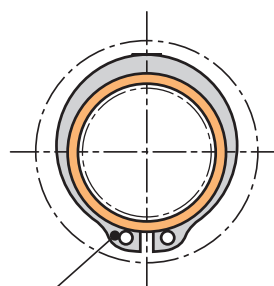
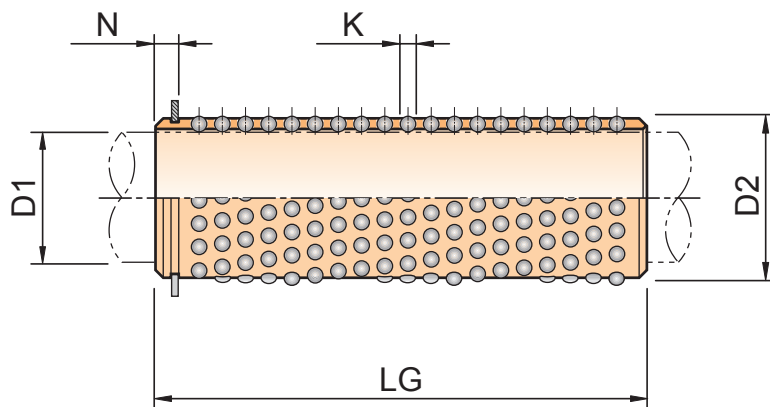


GSAB

GABBIA A SFERE CON BLOCCAGGIO
BALL CAGE WITH ARREST GROOVE
KUGELKÄFIG MIT KÄFIGHALTER

Material: Brass - Hardened Steel (DIN 5401)

Code	D1	D2	Code	D1	D2	LG	H	G	K	N
GSAB1956	19	25	GSAB2056	20	26	56	31	26,9	3	2,6
GSAB1972			GSAB2072			72	41	36,9		
GSAB1980			GSAB2080			80	51	46,9		
GSAB2456	24	30	GSAB2556	25	31	56	31	26,9	3	2,6
GSAB2472			GSAB2572			72	41	36,9		
GSAB2480			GSAB2580			80	51	46,9		
GSAB3070	30	38	GSAB3270	32	40	70	41	36,9	4	2,6
GSAB3080			GSAB3280			80	51	46,9		
GSAB3095			GSAB3295			95	61	56,9		
GSAB30105			GSAB32105			105	61	56,9		
GSAB3880	38	46	GSAB4080	40	48	80	51	45,5	4	3,5
GSAB3895			GSAB4095			95	61	55,5		
GSAB38105			GSAB40105			105	61	55,5		
GSAB38120			GSAB40120			120	73	67,5		
GSAB4880	48	56	GSAB5080	50	58	80	51	44,7	4	4,3
GSAB4895			GSAB5095			95	61	54,7		
GSAB48105			GSAB50105			105	61	54,7		
GSAB48120			GSAB50120			120	73	66,7		
GSAB6095	60	68	GSAB6395	63	71	95	61	54,7	4	4,3
GSAB60120			GSAB63120			120	73	66,7		
GSAB60140			GSAB63140			140	83	76,7		
			GSAB8095	80	92	95	61	54	6	5
			GSAB80120			120	73	66		
			GSAB80140			140	83	76		



SEEGER (DIN 471) compreso
CIRCLIP GROOVE (DIN 471) included
SICHERUNGSRING (DIN 471) enthalten

GSA

GABBIA A SFERE CON SCANALATURA PER ANELLO D'ARRESTO
BALL CAGE WITH CIRCLIP GROOVE
KUGELKÄFIG MIT SICHERUNGSRING

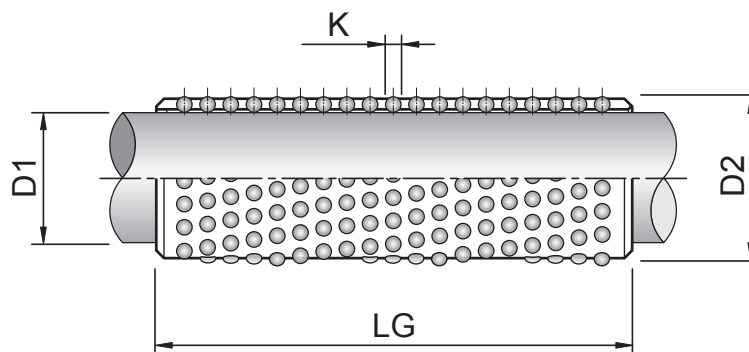
Material: Brass - Hardened Steel (DIN 5401)

Code	D1	D2	Code	D1	D2	LG	K	BALLS	N
			GSA1240	12	16	40	2	176	2,20
			GSA1256			56		272	
GSA1531	15	21	GSA1631	16	22	31	3	96	2,90
GSA1540			GSA1640			40		128	
GSA1545			GSA1645			45		144	
GSA1556			GSA1656			56		192	
GSA1563			GSA1663			63		224	
GSA1571			GSA1671			71		256	
			GSA1845	18	24	45	3	180	2,90
			GSA1856			56		240	
			GSA1871			71		320	
GSA1945	19	25	GSA2045	20	26	45	3	180	2,90
GSA1956			GSA2056			56		240	
GSA1971			GSA2071			71		320	
GSA1980			GSA2080			80		360	
GSA1995			GSA2095			95		440	
GSA2440	24	30	GSA2540	25	31	40	3	160	3,20
GSA2445			GSA2545			45		180	
GSA2456			GSA2556			56		240	
GSA2471			GSA2571			71		320	
GSA2480			GSA2580			80		360	
GSA2495			GSA2595			95		440	
GSA24105			GSA25105			105		500	
GSA24120			GSA25120			120		560	
GSA3040	30	38	GSA3240	32	40	40	4	120	3,95
GSA3045			GSA3245			45		140	
GSA3050			GSA3250			50		160	
GSA3056			GSA3256			56		180	
GSA3071			GSA3271			71		240	
GSA3075			GSA3275			75		260	
GSA3080			GSA3280			80		280	
GSA3095			GSA3295			95		340	
GSA30105			GSA32105			105		380	
GSA30120			GSA32120			120		440	
GSA30140			GSA32140			140		520	
GSA30160			GSA32160			160		600	
GSA3845	38	46	GSA4045	40	48	45	4	168	3,95
GSA3850			GSA4050			50		192	

GABBIA A SFERE CON SCANALATURA PER ANELLO D'ARRESTO
BALL CAGE WITH CIRCLIP GROOVE
KUGELKÄFIG MIT SICHERUNGSRING

Material: Brass - Hardened Steel (DIN 5401)

Code	D1	D2	Code	D1	D2	LG	K	BALLS	N						
GSA3856	38	46	GSA4056	40	48	56	4	216	3,95						
GSA3863			GSA4063			63		264							
GSA3880			GSA4080			80		336							
GSA3895			GSA4095			95		408							
GSA38105			GSA40105			105		456							
GSA38120			GSA40120			120		528							
GSA38140			GSA40140			140		624							
GSA38160			GSA40160			160		720							
GSA38180			GSA40180			180		816							
GSA38200			GSA40200			200		912							
GSA38240			GSA40240			240		1104							
GSA4850			48			56		GSA5050		50	58	50	4	224	4,25
GSA4863								GSA5063				63		308	
GSA4880	GSA5080	80		392											
GSA4895	GSA5095	95		476											
GSA48105	GSA50105	105		532											
GSA48120	GSA50120	120		616											
GSA48140	GSA50140	140		728											
GSA48160	GSA50160	160		840											
GSA48180	GSA50180	180		952											
GSA48200	GSA50200	200		1064											
GSA48240	GSA50240	240		1288											
GSA6095	60	68		GSA6395	63		71	95	4			544		4,75	
GSA60105				GSA63105				105				608			
GSA60120			GSA63120	120		704									
GSA60140			GSA63140	140		832									
GSA60160			GSA63160	160		960									
GSA60180			GSA63180	180		1088									
GSA60200			GSA63200	200		1216									
GSA60240			GSA63240	240		1472									
			GSA80120	80	92	120	6	540	6,15						
			GSA80140			140		648							
			GSA80160			160		756							
			GSA80180			180		864							
			GSA80200			200		972							
			GSA80240			240		1152							



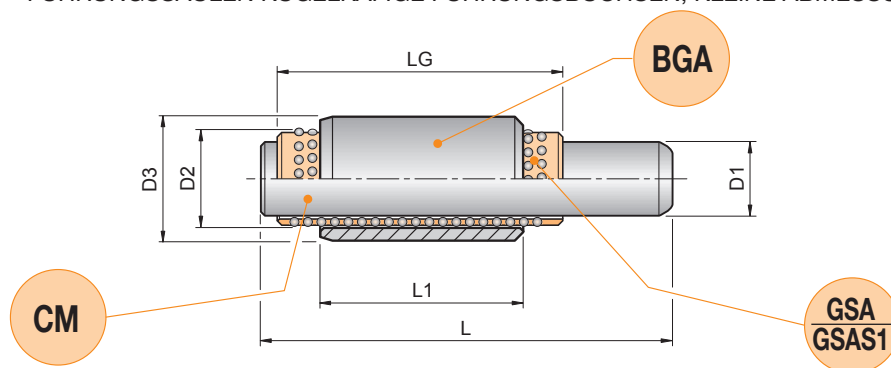
GSAP

GABBIA A SFERE IN PLASTICA
PLASTIC BALL CAGE
KUGELKÄFIG AUS KUNSTSTOFF

Material: POLYACETAT - Hardened Steel (DIN 5401)

Code	D1	LG	D2	K	Code	D1	LG	D2	K
GSAP1010	10	10	14	2	GSAP1510	15	10	22	2
GSAP1015		15			GSAP1515		15		
GSAP1020		20			GSAP1520		20		
GSAP1025		25			GSAP1525		25		
GSAP1030		30			GSAP1530		30		
GSAP1035		35			GSAP1535		35		
GSAP1040		40			GSAP1540		40		
GSAP1045		45			GSAP1545		45		
GSAP1050		50			GSAP1550		50		
GSAP1210		12			10		16		
GSAP1215	15								
GSAP1220	20								
GSAP1225	25								
GSAP1230	30								
GSAP1235	35								
GSAP1240	40								
GSAP1245	45								
GSAP1250	50								

SET COLONNE BUSSOLE GABBIE A SFERA, PICCOLE DIMENSIONI
GUIDE PILLARS GUIDE BUSHES BALL CAGES, SMALL DIMENSIONS
FÜHRUNGSSÄULEN KUGELKÄFIGE FÜHRUNGSBUCHSEN, KLEINE ABMESSUNGEN



SET A

CM

COLONNA
PILLAR
FÜHRUNGSSÄULEN

Material: 100 Cr 6
Hardness: 60±64 HRC

Code	D1	L
CM330	3	30
CM3x		x
CM3x		x
CM3x		x
CM360		60
CM430	4	30
CM4x		x
CM4x		x
CM4x		x
CM460		60
CM540	5	40
CM5x		x
CM5x		x
CM5x		x
CM580		80
CM640	6	40
CM6x		x
CM6x		x
CM6x		x
CM6x		x
CM6x		x
CM680		80
CM850	8	50
CM8x		x
CM8x		x
CM8x		x
CM8x		x
CM8100		100
CM1060	10	60
CM10x		x
CM10x		x
CM10x		x
CM10x		x
CM10120		120
CM1260	12	60
CM12x		x
CM12x		x
CM12x		x
CM12120		120

GSA / GSAS1

GABBIA A SFERA
BALL CAGE
KUGELKÄFIGE

Material: Brass
Hardened Steel (DIN 5401)

Code	D1	LG	D2
GSA310	3	10	5
GSA315		15	
GSA320		20	
GSA410	4	10	6
GSA415		15	
GSA420		20	
GSA510	5	10	7
GSA515		15	
GSA520		20	
GSA525		25	
GSA610	6	10	8
GSA615		15	
GSA620		20	
GSA625		25	
GSA630		30	
GSA810	8	10	10
GSA815		15	
GSA820		20	
GSA825		25	
GSA830		30	
GSA1015	10	15	12
GSA1020		20	
GSA1025		25	
GSA1030		30	
GSAS11220	12	20	14
GSAS11225		25	
GSAS11230		30	
GSAS11240		40	

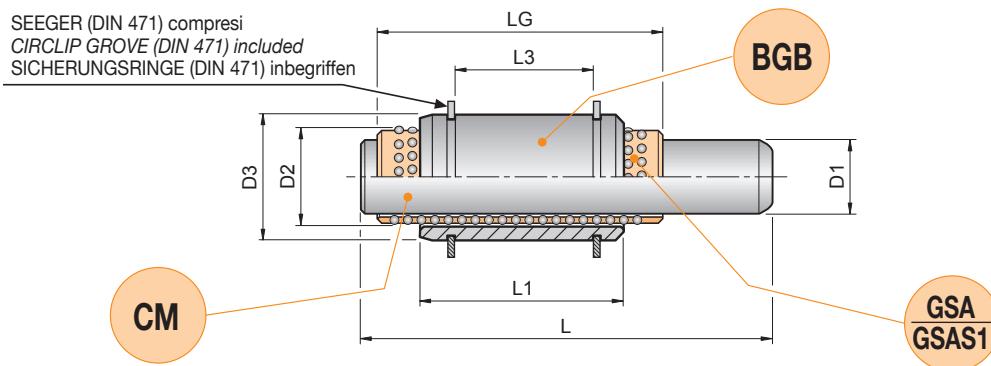
BGA

BUSSOLE
BUSH
FÜHRUNGSBUCHSEN

Material: 100 Cr 6
Hardness: 60±64 HRC

Code	D2	L1	D3
BGA510	5	10	7
BGA515		15	
BGA520		20	
BGA525		25	
BGA530		30	
BGA610	6	10	8
BGA615		15	
BGA620		20	
BGA625		25	
BGA630		30	
BGA710	7	10	10
BGA715		15	
BGA720		20	
BGA725		25	
BGA730		30	
BGA810	8	10	11
BGA815		15	
BGA820		20	
BGA825		25	
BGA830		30	
BGA835		35	
BGA840		40	
BGA1010	10	10	14
BGA1015		15	
BGA1020		20	
BGA1025		25	
BGA1030		30	
BGA1035		35	
BGA1040		40	
BGA1210	12	10	18
BGA1215		15	
BGA1220		20	
BGA1225		25	
BGA1230		30	
BGA1235		35	
BGA1240		40	
BGA1420	14	20	20
BGA1425		25	
BGA1430		30	
BGA1435		35	
BGA1440		40	

SET COLONNE BUSSOLE GABBIE A SFERA, PICCOLE DIMENSIONI
GUIDE PILLARS GUIDE BUSHES BALL CAGES, SMALL DIMENSIONS
FÜHRUNGSSÄULEN KUGELKÄFIGE FÜHRUNGSBUCHSEN, KLEINE ABMESSUNGEN



SET B

CM

COLONNA
PILLAR
FÜHRUNGSSÄULEN

Material: 100 Cr 6
Hardness: 60±64 HRC

Code	D1	L
CM330	3	30
CM3X		x
CM3X		x
CM360		60
CM430	4	30
CM4X		x
CM4X		x
CM460		60
CM540	5	40
CM5x		x
CM5x		x
CM5x		x
CM580		80
CM640	6	40
CM6x		x
CM6x		x
CM6x		x
CM6x		x
CM6x		x
CM680		80
CM850	8	50
CM8x		x
CM8x		x
CM8x		x
CM8x		x
CM8x		x
CM8100		100
CM1060	10	60
CM10x		x
CM10x		x
CM10x		x
CM10x		x
CM10120		120
CM1260	12	60
CM12x		x
CM12x		x
CM12x		x
CM12120		120

GSA / GSAS1

GABBIA A SFERA
BALL CAGE
KUGELKÄFIGE

Material: Brass
Hardened Steel (DIN 5401)

Code	D1	LG	D2
GSA310	3	10	5
GSA315		15	
GSA320		20	
GSA410	4	10	6
GSA415		15	
GSA420		20	
GSA510	5	10	7
GSA515		15	
GSA520		20	
GSA525		25	
GSA610	6	10	8
GSA615		15	
GSA620		20	
GSA625		25	
GSA630		30	
GSA810	8	10	10
GSA815		15	
GSA820		20	
GSA825		25	
GSA830		30	
GSA1015	10	15	12
GSA1020		20	
GSA1025		25	
GSA1030		30	
GSAS11220	12	20	14
GSAS11225		25	
GSAS11230		30	
GSAS11240		40	

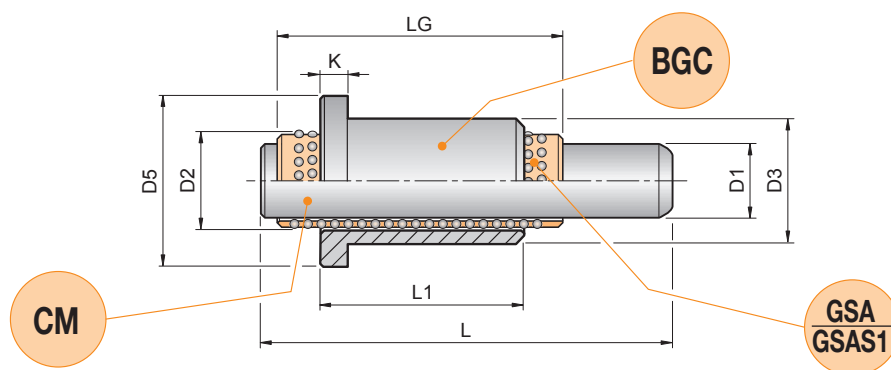
BGB

BUSSOLA
BUSH
FÜHRUNGSBUCHSEN

Material: 100 Cr 6
Hardness: 60±64 HRC

Code	D2	L1	L3	D3
BGB510	5	10		7
BGB520		20		
BGB530		30		
BGB610	6	10		8
BGB620		20		
BGB630		30		
BGB720	7	20	10	10
BGB730		30	20	
BGB820	8	20	10	11
BGB830		30	20	
BGB840		40	30	
BGB1020	10	20	10	12
BGB1030		30	20	
BGB1040		40	30	
BGB1230	12	30	20	16
BGB1240		40	30	
BGB1250		50	40	
BGB1430	14	30	20	18
BGB1440		40	30	
BGB1450		50	40	

SET COLONNE BUSSOLE GABBIE A SFERA, PICCOLE DIMENSIONI
GUIDE PILLARS GUIDE BUSHES BALL CAGES, SMALL DIMENSIONS
FÜHRUNGSSÄULEN KUGELKÄFIGE FÜHRUNGSBUCHSEN, KLEINE ABMESSUNGEN



SET C

CM

COLONNA
PILLAR
FÜHRUNGSSÄULEN

Material: 100 Cr 6
Hardness: 60±64 HRC

Code	D1	L
CM330	3	30
CM3x		x
CM3x		x
CM3x		x
CM360		60
CM430	4	30
CM4x		x
CM4x		x
CM4x		x
CM460		60
CM540	5	40
CM5x		x
CM5x		x
CM5x		x
CM580		80
CM640	6	40
CM6x		x
CM6x		x
CM6x		x
CM6x		x
CM6x		x
CM680		80
CM850	8	50
CM8x		x
CM8x		x
CM8x		x
CM8x		x
CM8100		100
CM1060	10	60
CM10x		x
CM10x		x
CM10x		x
CM10x		x
CM10120		120
CM1260	12	60
CM12x		x
CM12x		x
CM12x		x
CM12120		120

GSA / GSAS1

GABBIA A SFERA
BALL CAGE
KUGELKÄFIGE

Material: Brass
Hardened Steel (DIN 5401)

Code	D1	LG	D2
GSA310	3	10	5
GSA315		15	
GSA320		20	
GSA410	4	10	6
GSA415		15	
GSA420		20	
GSA510	5	10	7
GSA515		15	
GSA520		20	
GSA525		25	
GSA610	6	10	8
GSA615		15	
GSA620		20	
GSA625		25	
GSA630		30	
GSA810	8	10	10
GSA815		15	
GSA820		20	
GSA825		25	
GSA830		30	
GSA1015	10	15	12
GSA1020		20	
GSA1025		25	
GSA1030		30	
GSAS11220	12	20	14
GSAS11225		25	
GSAS11230		30	
GSAS11240		40	

BGC

BUSSOLE
BUSH
FÜHRUNGSBUCHSEN

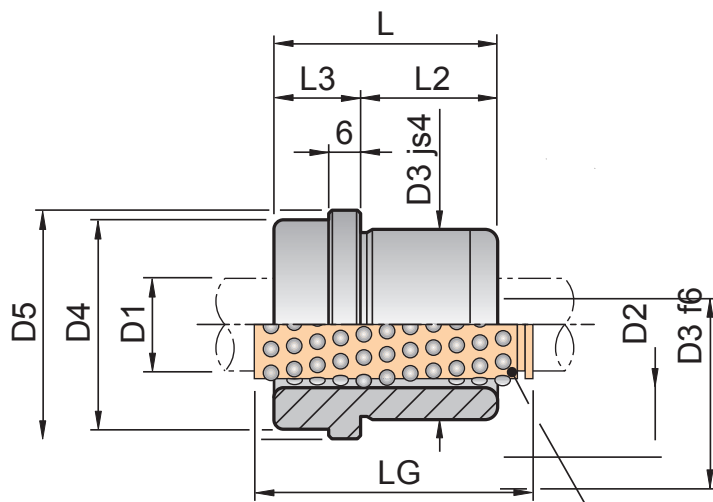
Material: 100 Cr 6
Hardness: 60±64 HRC

Code	D2	L1	K	D3	D5
BGC510	5	10	2,5	7	9
BGC520		20			
BGC530		30			
BGC610	6	10	3	8	10
BGC620		20			
BGC630		30			
BGC710	7	10	3	10	12
BGC720		20			
BGC730		30			
BGC820	8	20	4	11	13
BGC830		30			
BGC840		40			
BGC1020	10	20	4	12	14
BGC1030		30			
BGC1040		40			
BGC1230	12	30	4	16	18
BGC1240		40			
BGC1250		50			
BGC1430	14	30	4	18	20
BGC1440		40			
BGC1450		50			

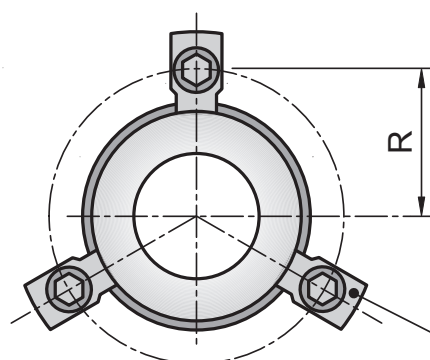
BUSSOLA ESTRAIBILE PER GABBIA A SFERE
DEMOUNTABLE BUSH FOR BALL CAGE
KUGELFÜHRUNGSBUCHSE MIT BUND

BEAG

Material: 1.7131 - Hardness: 61-63 HRC



da ordinare separatamente: GABBIA A SFERE GSA
to be ordered separately: BALL CAGE GSA
extra bestellen: KUGELKÄFIG GSA



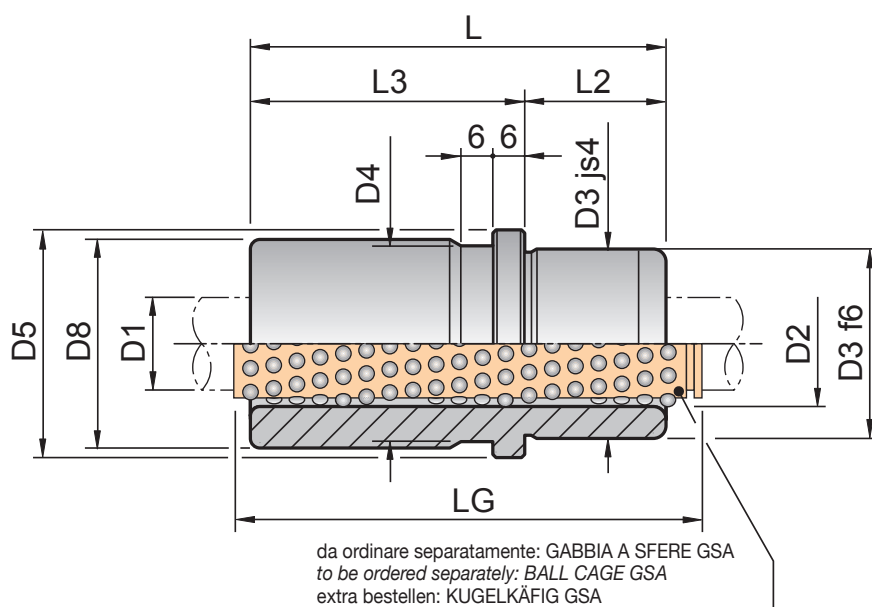
S 6 ISO + V6
(a richiesta / on request / auf Anfrage)
D1 < 38 con / with / mit 3
D1 ≥ 38 con / with / mit 4

ISO 9448-7

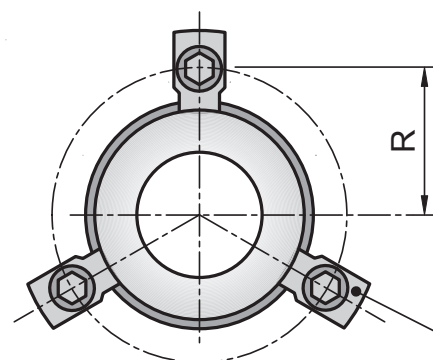
BEAG-7											
Code	D1	D2	D3	D4	D5	R	L	L2	L3	LG	
BEAG19-7	19	25	32	32	40	26	35	23	12	45	
BEAG20-7	20	26	32	32	40	26	35	23	12	45	
BEAG24-7	24	30	40	40	48	30	35	23	12	45	
BEAG25-7	25	31	40	40	48	30	35	23	12	45	
BEAG30-7	30	38	48	48	56	33,5	42	30	12	56	
BEAG32-7	32	40	48	48	56	33,5	42	30	12	56	
BEAG38-7	38	46	58	58	66	38,5	52	37	15	63	
BEAG40-7	40	48	58	58	66	38,5	52	37	15	63	
BEAG48-7	48	56	70	70	80	45,5	65	47	18	80	
BEAG50-7	50	58	70	70	80	45,5	65	47	18	80	
BEAG60-7	60	68	85	85	95	53	80	60	20	95	
BEAG63-7	63	71	85	85	95	53	80	60	20	95	
BEAG80-7	80	92	105	105	118	64,5	80	60	20	120	

BUSSOLA ESTRAIBILE PER GABBIA A SFERE
DEMOUNTABLE BUSH FOR BALL CAGE
KUGELFÜHRUNGSBUCHSE MIT BUND

BEAG



Material: 1.7131 - Hardness: 61-63 HRC



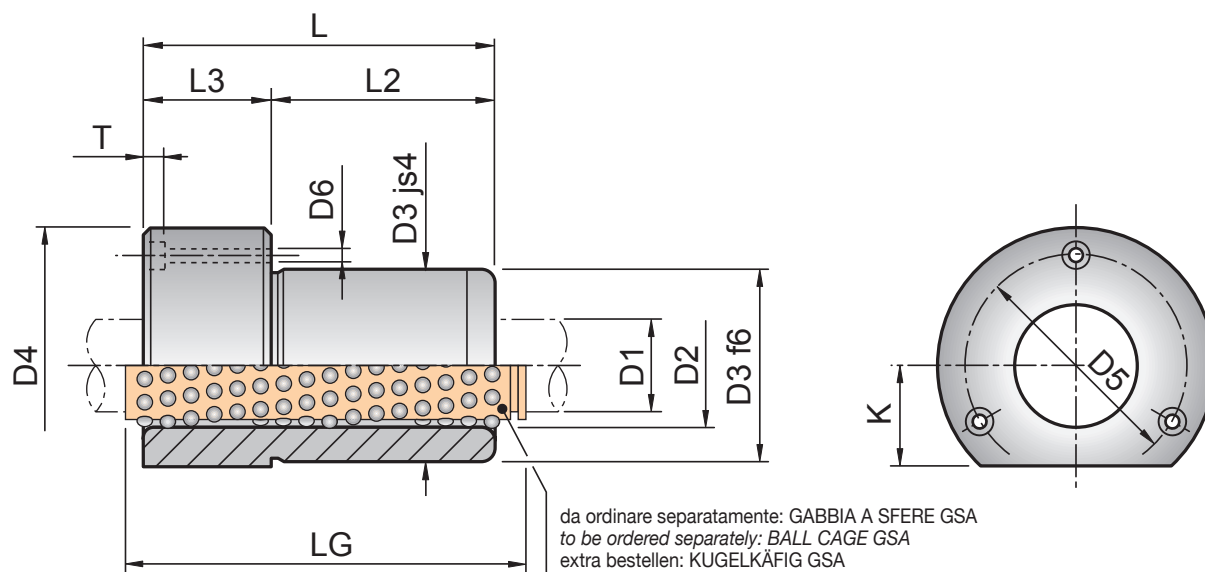
ISO 9448-7

BEAG-4												
Code	D1	D2	D3	D4	D5	D8	R	L	L2	L3	LG	
BEAG19-4	19	25	32	32	40	39	26	59	23	36	71	
BEAG20-4	20	26	32	32	40	39	26	59	23	36	71	
BEAG24-4	24	30	40	40	48	46	30	79	23	56	95	
BEAG25-4	25	31	40	40	48	46	30	79	23	56	95	
BEAG30-4	30	38	48	48	56	53	33,5	93	30	63	120	
BEAG32-4	32	40	48	48	56	53	33,5	93	30	63	120	
BEAG38-4	38	46	58	58	66	63	38,5	108	37	71	120	
BEAG40-4	40	48	58	58	66	63	38,5	108	37	71	120	
BEAG48-4	48	56	70	70	80	77	45,5	127	47	80	140	
BEAG50-4	50	58	70	70	80	77	45,5	127	47	80	140	
BEAG60-4	60	68	85	85	95	92	53	150	60	90	160	
BEAG63-4	63	71	85	85	95	92	53	150	60	90	160	
BEAG80-4	80	92	105	105	118	115	64,5	150	60	90	160	

BEAG-5												
Code	D1	D2	D3	D4	D5	D8	R	L	L2	L3	LG	
BEAG24-5	24	30	40	40	48	46	30	80	30	50	95	
BEAG25-5	25	31	40	40	48	46	30	80	30	50	95	
BEAG30-5	30	38	48	48	56	53	33,5	93	37	56	120	
BEAG32-5	32	40	48	48	56	53	33,5	93	37	56	120	
BEAG38-5	38	46	58	58	66	63	38,5	110	47	63	140	
BEAG40-5	40	48	58	58	66	63	38,5	110	47	63	140	
BEAG48-5	48	56	70	70	80	77	45,5	131	60	71	160	
BEAG50-5	50	58	70	70	80	77	45,5	131	60	71	160	

BEAG-6												
Code	D1	D2	D3	D4	D5	D8	R	L	L2	L3	LG	
BEAG19-6	19	25	32	32	40	39	26	43	23	20	56	
BEAG20-6	20	26	32	32	40	39	26	43	23	20	56	
BEAG24-6	24	30	40	40	48	46	30	59	23	36	71	
BEAG25-6	25	31	40	40	48	46	30	59	23	36	71	
BEAG30-6	30	38	48	48	56	53	33,5	75	30	45	95	
BEAG32-6	32	40	48	48	56	53	33,5	75	30	45	95	
BEAG38-6	38	46	58	58	66	63	38,5	82	37	45	105	
BEAG40-6	40	48	58	58	66	63	38,5	82	37	45	105	
BEAG48-6	48	56	70	70	80	77	45,5	97	47	50	120	
BEAG50-6	50	58	70	70	80	77	45,5	97	47	50	120	
BEAG60-6	60	68	85	85	95	92	53	116	60	56	140	
BEAG63-6	63	71	85	85	95	92	53	116	60	56	140	
BEAG80-6	80	92	105	105	118	115	64,5	120	60	60	140	

BEAG-9												
Code	D1	D2	D3	D4	D5	D8	R	L	L2	L3	LG	
BEAG24-9	24	30	40	40	48	46	30	55	30	25	71	
BEAG25-9	25	31	40	40	48	46	30	55	30	25	71	
BEAG30-9	30	38	48	48	56	53	33,5	69	37	32	80	
BEAG32-9	32	40	48	48	56	53	33,5	69	37	32	80	
BEAG38-9	38	46	58	58	66	63	38,5	79	47	32	95	
BEAG40-9	40	48	58	58	66	63	38,5	79	47	32	95	
BEAG48-9	48	56	70	70	80	77	45,5	96	60	36	120	
BEAG50-9	50	58	70	70	80	77	45,5	96	60	36	120	



B5AG

BUSSOLA A COLLARE PER GABBIA A SFERE
FLANGED GUIDE BUSH FOR BALL CAGE
KUGELFÜHRUNGSBUCHSE MIT FLANSCH

DIN 9831 / ISO 9448-5

Material: 1.7131 - Hardness: 61-63 HRC

B5AG-4										
Code	D1	D2	D3	D4	D5	K	L	L2	L3	LG
B5AG19-4	19	25	32	50	40	18	52	37	15	71
B5AG20-4	20	26	32	50	40	18	52	37	15	71
B5AG24-4	24	30	40	63	50	23	62	37	25	71
B5AG25-4	25	31	40	63	50	23	62	37	25	71
B5AG30-4	30	38	48	72	58	28	72	47	25	80
B5AG32-4	32	40	48	72	58	28	72	47	25	80
B5AG38-4	38	46	58	85	70	33	77	47	30	95
B5AG40-4	40	48	58	85	70	33	77	47	30	95
B5AG48-4	48	56	70	104	86	38	102	60	42	120
B5AG50-4	50	58	70	104	86	38	102	60	42	120
B5AG60-4	60	68	85	120	100	46	102	60	42	120
B5AG63-4	63	71	85	120	100	46	102	60	42	120
B5AG80-4	80	92	105	148	125	56	125	75	50	140

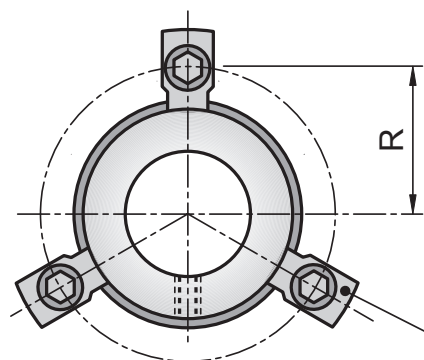
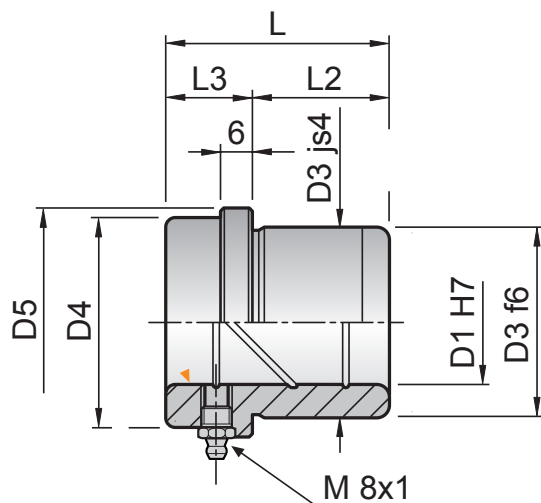
B5AG-5										
Code	D1	D2	D3	D4	D5	K	L	L2	L3	LG
B5AG15-5	15	21	28	45	35	15	36	30	6	45
B5AG16-5	16	22	28	45	35	15	36	30	6	45
B5AG19-5	19	25	32	50	40	18	45	30	15	56
B5AG20-5	20	26	32	50	40	18	45	30	15	56
B5AG24-5	24	30	40	63	50	23	55	30	25	71
B5AG25-5	25	31	40	63	50	23	55	30	25	71
B5AG30-5	30	38	48	72	58	28	62	37	25	71
B5AG32-5	32	40	48	72	58	28	62	37	25	71
B5AG38-5	38	46	58	85	70	33	67	37	30	80
B5AG40-5	40	48	58	85	70	33	67	37	30	80
B5AG48-5	48	56	70	104	86	38	89	47	42	95
B5AG50-5	50	58	70	104	86	38	89	47	42	95
B5AG60-5	60	68	85	120	100	46	89	47	42	95
B5AG63-5	63	71	85	120	100	46	89	47	42	95

D1	D6	T
15	4,5	3,4
16	4,5	3,4
19	4,5	4,6
20	4,5	4,6
24	5,5	5,7
25	5,5	5,7
30	5,5	5,7
32	5,5	5,7
38	6,6	6,8
40	6,6	6,8
48	9	9
50	9	9
60	9	9
63	9	9
80	11	11

B5AG-6										
Code	D1	D2	D3	D4	D5	K	L	L2	L3	LG
B5AG15-6	15	21	28	45	35	15	29	23	6	45
B5AG16-6	16	22	28	45	35	15	29	23	6	45
B5AG19-6	19	25	32	50	40	18	38	23	15	45
B5AG20-6	20	26	32	50	40	18	38	23	15	45
B5AG24-6	24	30	40	63	50	23	38	23	15	45
B5AG25-6	25	31	40	63	50	23	38	23	15	45
B5AG30-6	30	38	48	72	58	28	45	30	15	56
B5AG32-6	32	40	48	72	58	28	45	30	15	56
B5AG38-6	38	46	58	85	70	33	55	30	25	63
B5AG40-6	40	48	58	85	70	33	55	30	25	63
B5AG48-6	48	56	70	104	86	38	62	37	25	80
B5AG50-6	50	58	70	104	86	38	62	37	25	80

BUSSOLA ESTRAIBILE AUTOLUBRIFICANTE
DEMOUNTABLE BUSH SELF-LUBE
SELBSTSCHMIERENDE FÜHRUNGSBUCHSE MIT BUND

Material: 1.7131 - Hardness: 61÷63 HRC



S 6 ISO + V6
(a richiesta / on request / auf Anfrage)
D1 < 38 con / with / mit 3
D1 ≥ 38 con / with / mit 4

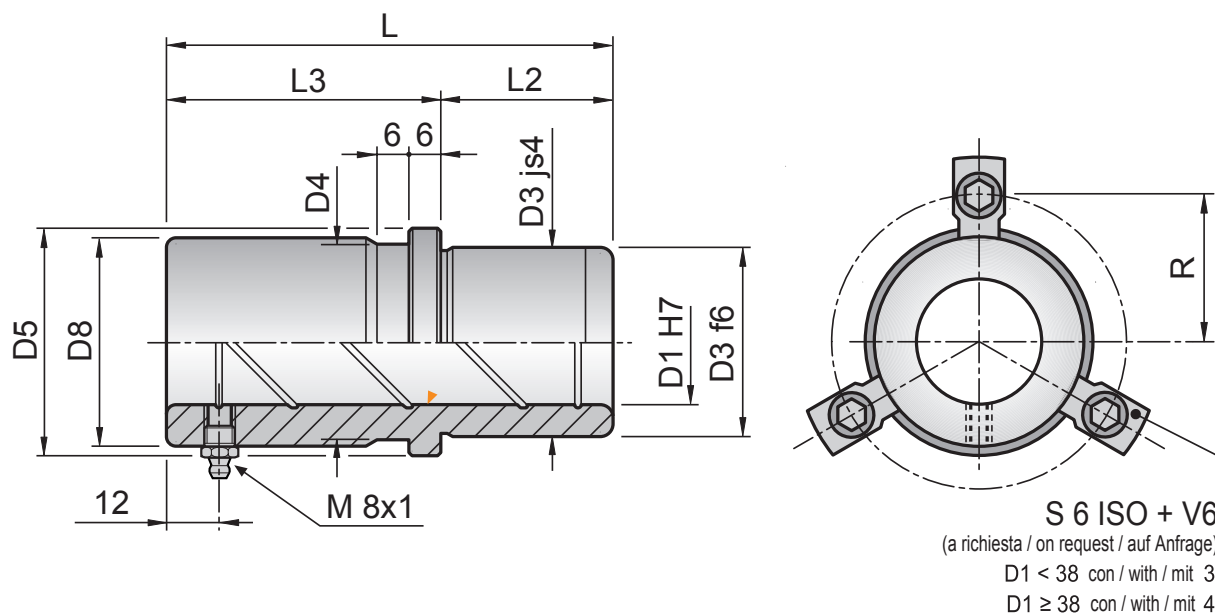
ISO 9448-6

BEA-5										
Code	D1	D3	D4	D5	R	L	L2	L3		
BEA19-5	19	32	32	40	26	35	23	12		
BEA20-5	20	32	32	40	26	35	23	12		
BEA24-5	24	40	40	48	30	35	23	12		
BEA25-5	25	40	40	48	30	35	23	12		
BEA30-5	30	48	48	56	33,5	42	30	12		
BEA32-5	32	48	48	56	33,5	42	30	12		
BEA38-5	38	58	58	66	38,5	52	37	15		
BEA40-5	40	58	58	66	38,5	52	37	15		
BEA48-5	48	70	70	80	45,5	65	47	18		
BEA50-5	50	70	70	80	45,5	65	47	18		
BEA60-5	60	85	85	95	53	80	60	20		
BEA63-5	63	85	85	95	53	80	60	20		

BUSSOLA ESTRAIBILE AUTOLUBRIFICANTE
DEMOUNTABLE BUSH SELF-LUBE
SELBSTSCHMIERENDE FÜHRUNGSBUCHSE MIT BUND

BEA

Material: 1.7131 - Hardness: 61-63 HRC



ISO 9448-6

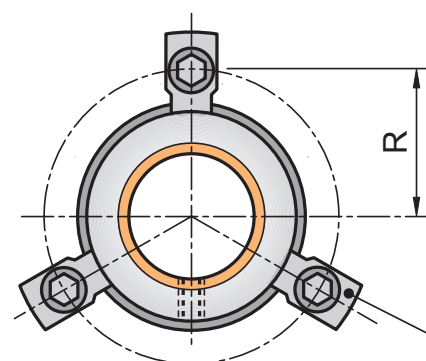
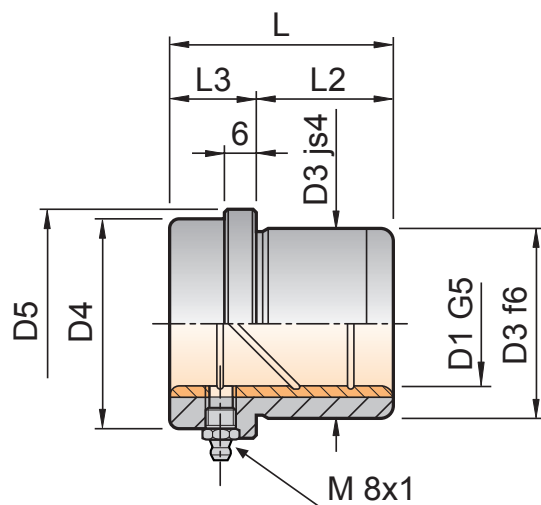
BEA-4									
Code	D1	D3	D4	D5	D8	R	L	L2	L3
BEA19-4	19	32	32	40	39	26	43	23	20
BEA20-4	20	32	32	40	39	26	43	23	20
BEA24-4	24	40	40	48	46	30	59	23	36
BEA25-4	25	40	40	48	46	30	59	23	36
BEA30-4	30	48	48	56	53	33,5	75	30	45
BEA32-4	32	48	48	56	53	33,5	75	30	45
BEA38-4	38	58	58	66	63	38,5	82	37	45
BEA40-4	40	58	58	66	63	38,5	82	37	45
BEA48-4	48	70	70	80	77	45,5	97	47	50
BEA50-4	50	70	70	80	77	45,5	97	47	50
BEA60-4	60	85	85	95	92	53	116	60	56
BEA63-4	63	85	85	95	92	53	116	60	56

BEA-1									
Code	D1	D3	D4	D5	D8	R	L	L2	L3
BEA19-1	19	32	32	40	39	26	59	23	36
BEA20-1	20	32	32	40	39	26	59	23	36
BEA24-1	24	40	40	48	46	30	79	23	56
BEA25-1	25	40	40	48	46	30	79	23	56
BEA30-1	30	48	48	56	53	33,5	93	30	63
BEA32-1	32	48	48	56	53	33,5	93	30	63
BEA38-1	38	58	58	66	63	38,5	108	37	71
BEA40-1	40	58	58	66	63	38,5	108	37	71
BEA48-1	48	70	70	80	77	45,5	127	47	80
BEA50-1	50	70	70	80	77	45,5	127	47	80
BEA60-1	60	85	85	95	92	53	150	60	90
BEA63-1	63	85	85	95	92	53	150	60	90

BUSSOLA ESTRAIBILE ACCIAIO / BRONZO
DEMOUNTABLE BUSH STEEL / BRONZE
FÜHRUNGSBUCHSE MIT BUND MIT BRONZEEINSATZ

BEBA

Material: 1.7131 - Hardness: 52÷54 HRC
Bronze



S 6 ISO + V6
(a richiesta / on request / auf Anfrage)
D1 < 38 con / with / mit 3
D1 ≥ 38 con / with / mit 4

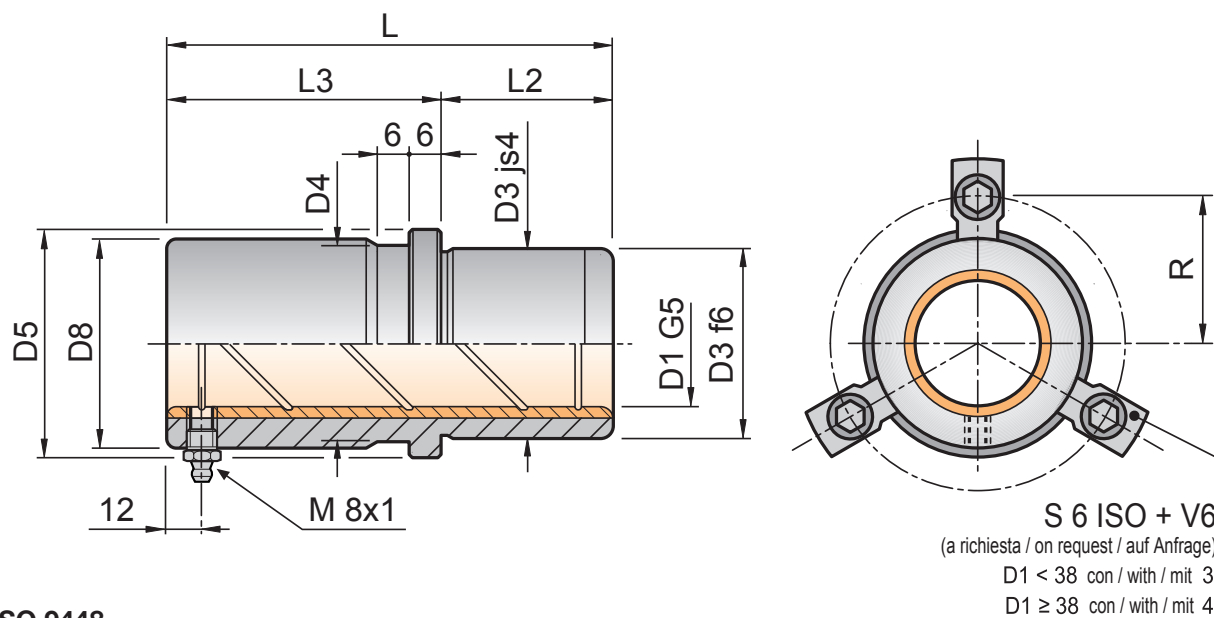
ISO 9448

BEBA-5										
Code	D1	D3	D4	D5	R	L	L2	L3		
BEBA19-5	19	32	32	40	26	35	23	12		
BEBA20-5	20	32	32	40	26	35	23	12		
BEBA24-5	24	40	40	48	30	35	23	12		
BEBA25-5	25	40	40	48	30	35	23	12		
BEBA30-5	30	48	48	56	33,5	42	30	12		
BEBA32-5	32	48	48	56	33,5	42	30	12		
BEBA38-5	38	58	58	66	38,5	52	37	15		
BEBA40-5	40	58	58	66	38,5	52	37	15		
BEBA48-5	48	70	70	80	45,5	65	47	18		
BEBA50-5	50	70	70	80	45,5	65	47	18		
BEBA60-5	60	85	85	95	53	80	60	20		
BEBA63-5	63	85	85	95	53	80	60	20		
BEBA80-5	80	105	105	118	64,5	80	60	20		

BUSSOLA ESTRAIBILE ACCIAIO / BRONZO
DEMOUNTABLE BUSH STEEL / BRONZE
FÜHRUNGSBUCHSE MIT BUND MIT BRONZEEINSATZ

BEBA

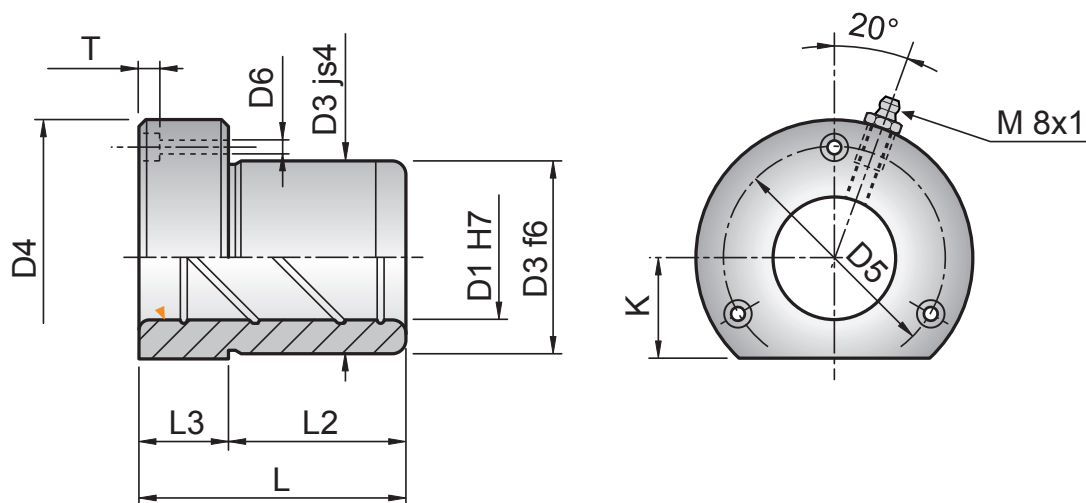
Material: 1.7131 - Hardness: 52-54 HRC
Bronze



ISO 9448

BEBA-4										
Code	D1	D3	D4	D5	D8	R	L	L2	L3	
BEBA19-4	19	32	32	40	39	26	43	23	20	
BEBA20-4	20	32	32	40	39	26	43	23	20	
BEBA24-4	24	40	40	48	46	30	59	23	36	
BEBA25-4	25	40	40	48	46	30	59	23	36	
BEBA30-4	30	48	48	56	53	33,5	75	30	45	
BEBA32-4	32	48	48	56	53	33,5	75	30	45	
BEBA38-4	38	58	58	66	63	38,5	82	37	45	
BEBA40-4	40	58	58	66	63	38,5	82	37	45	
BEBA48-4	48	70	70	80	77	45,5	97	47	50	
BEBA50-4	50	70	70	80	77	45,5	97	47	50	
BEBA60-4	60	85	85	95	92	53	116	60	56	
BEBA63-4	63	85	85	95	92	53	116	60	56	
BEBA80-4	80	105	105	118	115	64,5	120	60	60	

BEBA-1										
Code	D1	D3	D4	D5	D8	R	L	L2	L3	
BEBA19-1	19	32	32	40	39	26	59	23	36	
BEBA20-1	20	32	32	40	39	26	59	23	36	
BEBA24-1	24	40	40	48	46	30	79	23	56	
BEBA25-1	25	40	40	48	46	30	79	23	56	
BEBA30-1	30	48	48	56	53	33,5	93	30	63	
BEBA32-1	32	48	48	56	53	33,5	93	30	63	
BEBA38-1	38	58	58	66	63	38,5	108	37	71	
BEBA40-1	40	58	58	66	63	38,5	108	37	71	
BEBA48-1	48	70	70	80	77	45,5	127	47	80	
BEBA50-1	50	70	70	80	77	45,5	127	47	80	
BEBA60-1	60	85	85	95	92	53	150	60	90	
BEBA63-1	63	85	85	95	92	53	150	60	90	
BEBA80-1	80	105	105	118	115	64,5	150	60	90	



B5A

BUSSOLA A COLLARE AUTOLUBRIFICANTE
FLANGED GUIDE BUSH SELF-LUBE

ISO 9448-4

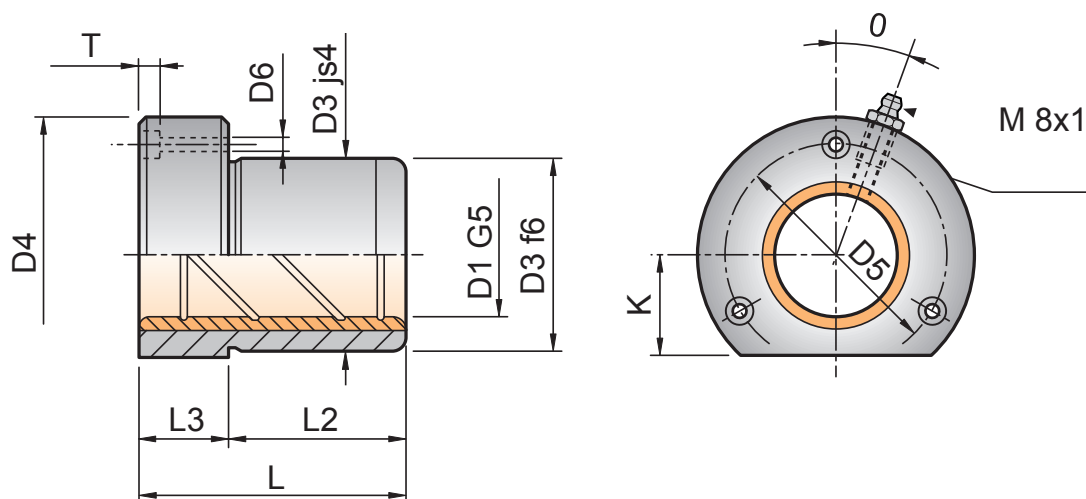
SELBSTSCHMIERENDE FÜHRUNGSBUCHSE MIT FLANSCH

Material: 1.7131 - Hardness: 61-63 HRC

B5A-1										
Code	D1	D3	D4	D5	D6	T	K	L	L2	L3
B5A19-1	19	32	50	40	4,5	4,6	18	52	37	15
B5A20-1	20	32	50	40	4,5	4,6	18	52	37	15
B5A24-1	24	40	63	50	5,5	5,7	23	62	37	25
B5A25-1	25	40	63	50	5,5	5,7	23	62	37	25
B5A30-1	30	48	72	58	5,5	5,7	28	72	47	25
B5A32-1	32	48	72	58	5,5	5,7	28	72	47	25
B5A38-1	38	58	85	70	6,6	6,8	33	77	47	30
B5A40-1	40	58	85	70	6,6	6,8	33	77	47	30
B5A48-1	48	70	104	86	9	9	38	102	60	42
B5A50-1	50	70	104	86	9	9	38	102	60	42
B5A60-1	60	85	120	100	9	9	46	102	60	42
B5A63-1	63	85	120	100	9	9	46	102	60	42
B5A80-1	80	105	148	125	11	11	56	125	75	50

B5A-2										
Code	D1	D3	D4	D5	D6	T	K	L	L2	L3
B5A15-2	15	28	45	35	4,5	3,4	15	36	30	6
B5A16-2	16	28	45	35	4,5	3,4	15	36	30	6
B5A19-2	19	32	50	40	4,5	4,6	18	45	30	15
B5A20-2	20	32	50	40	4,5	4,6	18	45	30	15
B5A24-2	24	40	63	50	5,5	5,7	23	55	30	25
B5A25-2	25	40	63	50	5,5	5,7	23	55	30	25
B5A30-2	30	48	72	58	5,5	5,7	28	62	37	25
B5A32-2	32	48	72	58	5,5	5,7	28	62	37	25
B5A38-2	38	58	85	70	6,6	6,8	33	67	37	30
B5A40-2	40	58	85	70	6,6	6,8	33	67	37	30
B5A48-2	48	70	104	86	9	9	38	89	47	42
B5A50-2	50	70	104	86	9	9	38	89	47	42
B5A60-2	60	85	120	100	9	9	46	89	47	42
B5A63-2	63	85	120	100	9	9	46	89	47	42

B5A-4										
Code	D1	D3	D4	D5	D6	T	K	L	L2	L3
B5A15-4	15	28	45	35	4,5	3,4	15	29	23	6
B5A16-4	16	28	45	35	4,5	3,4	15	29	23	6
B5A19-4	19	32	50	40	4,5	4,6	18	38	23	15
B5A20-4	20	32	50	40	4,5	4,6	18	38	23	15
B5A24-4	24	40	63	50	5,5	5,7	23	38	23	15
B5A25-4	25	40	63	50	5,5	5,7	23	38	23	15
B5A30-4	30	48	72	58	5,5	5,7	28	45	30	15
B5A32-4	32	48	72	58	5,5	5,7	28	45	30	15
B5A38-4	38	58	85	70	6,6	6,8	33	55	30	25
B5A40-4	40	58	85	70	6,6	6,8	33	55	30	25
B5A48-4	48	70	104	86	9	9	38	62	37	25
B5A50-4	50	70	104	86	9	9	38	62	37	25



BUSSOLA A COLLARE CON FORI DI FISSAGGIO ACCIAIO / BRONZO
FLANGED GUIDE BUSH, STEEL / BRONZE
FÜHRUNGSBUCHSE MIT FLANSCH MIT BRONZEEINSATZ

B5BA

ISO 9448-4

Material: 1.7131 - Hardness: 52-54 HRC
Bronze

B5BA-1										
Code	D1	D3	D4	D5	D6	T	K	L	L2	L3
B5BA19-1	19	32	50	40	4,5	4,6	18	52	37	15
B5BA20-1	20	32	50	40	4,5	4,6	18	52	37	15
B5BA24-1	24	40	63	50	5,5	5,7	23	62	37	25
B5BA25-1	25	40	63	50	5,5	5,7	23	62	37	25
B5BA30-1	30	48	72	58	5,5	5,7	28	72	47	25
B5BA32-1	32	48	72	58	5,5	5,7	28	72	47	25
B5BA38-1	38	58	85	70	6,6	6,8	33	77	47	30
B5BA40-1	40	58	85	70	6,6	6,8	33	77	47	30
B5BA48-1	48	70	104	86	9	9	38	102	60	42
B5BA50-1	50	70	104	86	9	9	38	102	60	42
B5BA60-1	60	85	120	100	9	9	46	102	60	42
B5BA63-1	63	85	120	100	9	9	46	102	60	42
B5BA80-1	80	105	148	125	11	11	56	125	75	50

B5BA-2										
Code	D1	D3	D4	D5	D6	T	K	L	L2	L3
B5BA15-2	15	28	45	35	4,5	3,4	15	36	30	6
B5BA16-2	16	28	45	35	4,5	3,4	15	36	30	6
B5BA19-2	19	32	50	40	4,5	4,6	18	45	30	15
B5BA20-2	20	32	50	40	4,5	4,6	18	45	30	15
B5BA24-2	24	40	63	50	5,5	5,7	23	55	30	25
B5BA25-2	25	40	63	50	5,5	5,7	23	55	30	25
B5BA30-2	30	48	72	58	5,5	5,7	28	62	37	25
B5BA32-2	32	48	72	58	5,5	5,7	28	62	37	25
B5BA38-2	38	58	85	70	6,6	6,8	33	67	37	30
B5BA40-2	40	58	85	70	6,6	6,8	33	67	37	30
B5BA48-2	48	70	104	86	9	9	38	89	47	42
B5BA50-2	50	70	104	86	9	9	38	89	47	42
B5BA60-2	60	85	120	100	9	9	46	89	47	42
B5BA63-2	63	85	120	100	9	9	46	89	47	42

B5BA-4										
Code	D1	D3	D4	D5	D6	T	K	L	L2	L3
B5BA15-4	15	28	45	35	4,5	3,4	15	29	23	6
B5BA16-4	16	28	45	35	4,5	3,4	15	29	23	6
B5BA19-4	19	32	50	40	4,5	4,6	18	38	23	15
B5BA20-4	20	32	50	40	4,5	4,6	18	38	23	15
B5BA24-4	24	40	63	50	5,5	5,7	23	38	23	15
B5BA25-4	25	40	63	50	5,5	5,7	23	38	23	15
B5BA30-4	30	48	72	58	5,5	5,7	28	45	30	15
B5BA32-4	32	48	72	58	5,5	5,7	28	45	30	15
B5BA38-4	38	58	85	70	6,6	6,8	33	55	30	25
B5BA40-4	40	58	85	70	6,6	6,8	33	55	30	25
B5BA48-4	48	70	104	86	9	9	38	62	37	25
B5BA50-4	50	70	104	86	9	9	38	62	37	25

ISO - TOLERANCES

Outside diameters (shafts): Dimensions in $\mu\text{m} = 0,001 \text{ mm}$

Range in mm	Tolerance class																	
	e7	f6	g6	h3	h4	h5	h6	h8	j6	js4	js6	k5	k6	m5	m6	n6	p6	s6
over 0 to 3	-14	-6	-2	0	0	0	0	0	+4	+1,5	+3	+4	+6	+6	+8	+10	+12	+20
	-24	-12	-8	-2	-3	-4	-6	-14	-2	-1,5	-3	0	0	+2	+2	+4	+6	+14
over 3 to 6	-20	-10	-4	0	0	0	0	0	+6	+2	+4	+6	+9	+9	+12	+16	+20	+27
	-32	-18	-12	-2,5	-4	-5	-8	-18	-2	-2	-4	+1	+1	+4	+4	+8	+12	+20
over 6 to 10	-25	-13	-5	0	0	0	0	0	+7	+2	+4,5	+7	+10	+12	+15	+19	+24	+32
	-40	-22	-14	-2,5	-4	-6	-9	-22	-2	-2	-4,5	+1	+1	+6	+6	+10	+15	+23
over 10 to 18	-32	-16	-6	0	0	0	0	0	+8	+2,5	+5,5	+9	+12	+15	+18	+23	+29	+39
	-50	-27	-17	-3	-5	-8	-11	-27	-3	-2,5	-5,5	+1	+1	+7	+7	+12	+18	+28
over 18 to 30	-40	-20	-7	0	0	0	0	0	+9	+3	+6,5	+11	+15	+17	+21	+28	+35	+48
	-61	-33	-20	-4	-6	-9	-13	-33	-4	-3	-6,5	+2	+2	+8	+8	+15	+22	+35
over 30 to 50	-50	-25	-9	0	0	0	0	0	+11	+3,5	+8	+13	+18	+20	+25	+33	+42	+59
	-75	-41	-25	-4	-7	-11	-16	-39	-5	-3,5	-8	+2	+2	+9	+9	+17	+26	+43
over 50 to 80	-60	-30	-10	0	0	0	0	0	+12	+4	+9,5	+15	+21	+24	+30	+39	+51	+78
	-90	-49	-29	-5	-8	-13	-19	-46	-7	-4	-9,5	+2	+2	+11	+11	+20	+32	+53
over 80 to 120	-72	-36	-12	0	0	0	0	0	+13	+5	+11	+18	+25	+28	+35	+45	+59	+101
	-107	-58	-34	-6	-10	-15	-22	-54	-9	-5	-11	+3	+3	+13	+13	+23	+37	+71

Inside diameters (bores): Dimensions in $\mu\text{m} = 0,001 \text{ mm}$

Range in mm	Tolerance class																	
	E8	F7	G5	H4	H5	H6	H7	H8	H9	H10	H11	J7	JS5	K6	K7	M6	M7	P6
over 0 to 3	+28	+16	+6	+3	+4	+6	+10	+14	+25	+40	+60	+4	+2	0	0	-2	-2	-6
	+14	+6	+2	0	0	0	0	0	0	0	0	-6	-2	-6	-10	-8	-12	-12
over 3 to 6	+38	+22	+9	+4	+5	+8	+12	+18	+30	+48	+75	+6	+2,5	+2	+3	-1	0	-9
	+20	+10	+4	0	0	0	0	0	0	0	0	-6	-2,5	-6	-9	-9	-12	-17
over 6 to 10	+47	+28	+11	+4	+6	+9	+15	+22	+36	+58	+90	+8	+3	+2	+5	-3	0	-12
	+25	+13	+5	0	0	0	0	0	0	0	0	-7	-3	-7	-10	-12	-15	-21
over 10 to 18	+59	+34	+14	+5	+8	+11	+18	+27	+43	+70	+110	+10	+4	+2	+6	-4	0	-15
	+32	+16	+6	0	0	0	0	0	0	0	0	-8	-4	-9	-12	-15	-18	-26
over 18 to 30	+73	+41	+16	+6	+9	+13	+21	+33	+52	+84	+130	+12	+4,5	+2	+6	-4	0	-18
	+40	+20	+7	0	0	0	0	0	0	0	0	-9	-4,5	-11	-15	-17	-21	-31
over 30 to 50	+89	+50	+20	+7	+11	+16	+25	+39	+62	+100	+160	+14	+5,5	+3	+7	-4	0	-21
	+50	+25	+9	0	0	0	0	0	0	0	0	-11	-5,5	-13	-18	-20	-25	-37
over 50 to 80	+106	+60	+23	+8	+13	+19	+30	+46	+74	+120	+190	+18	+6,5	+4	+9	-5	0	-26
	+60	+30	+10	0	0	0	0	0	0	0	0	-12	-6,5	-15	-21	-24	-30	-45
over 80 to 120	+125	+71	+27	+10	+15	+22	+35	+54	+87	+140	+220	+22	+7,5	+4	+10	-6	0	-30
	+72	+36	+12	0	0	0	0	0	0	0	0	-13	-7,5	-18	-25	-28	-35	-52